

Technics®



Headquarter Address/Adresse du siège social : Panasonic Corporation
Kadoma, Osaka, Japan

Importer for Europe/Importateur pour l'Europe : Panasonic Marketing Europe GmbH
Panasonic Testing Centre
Winsbergring 15, 22525 Hamburg, Germany

EU



For the U.S.A.

Panasonic Corporation of North America
Two Riverfront Plaza, Newark, NJ 07102-5490
www.shop.panasonic.com

For the United Kingdom and Ireland

For Continental Europe
Panasonic Corporation
Web Site: <http://www.panasonic.com>

For Canada / Pour le Canada

Panasonic Canada Inc.
5770 Ambler Drive,
Mississauga, Ontario,
L4W 2T3
www.panasonic.com

En Cf Ge Fr It Sp Da Du Sw Fi Po



TQBM0219
S0218AK0

SP-10R

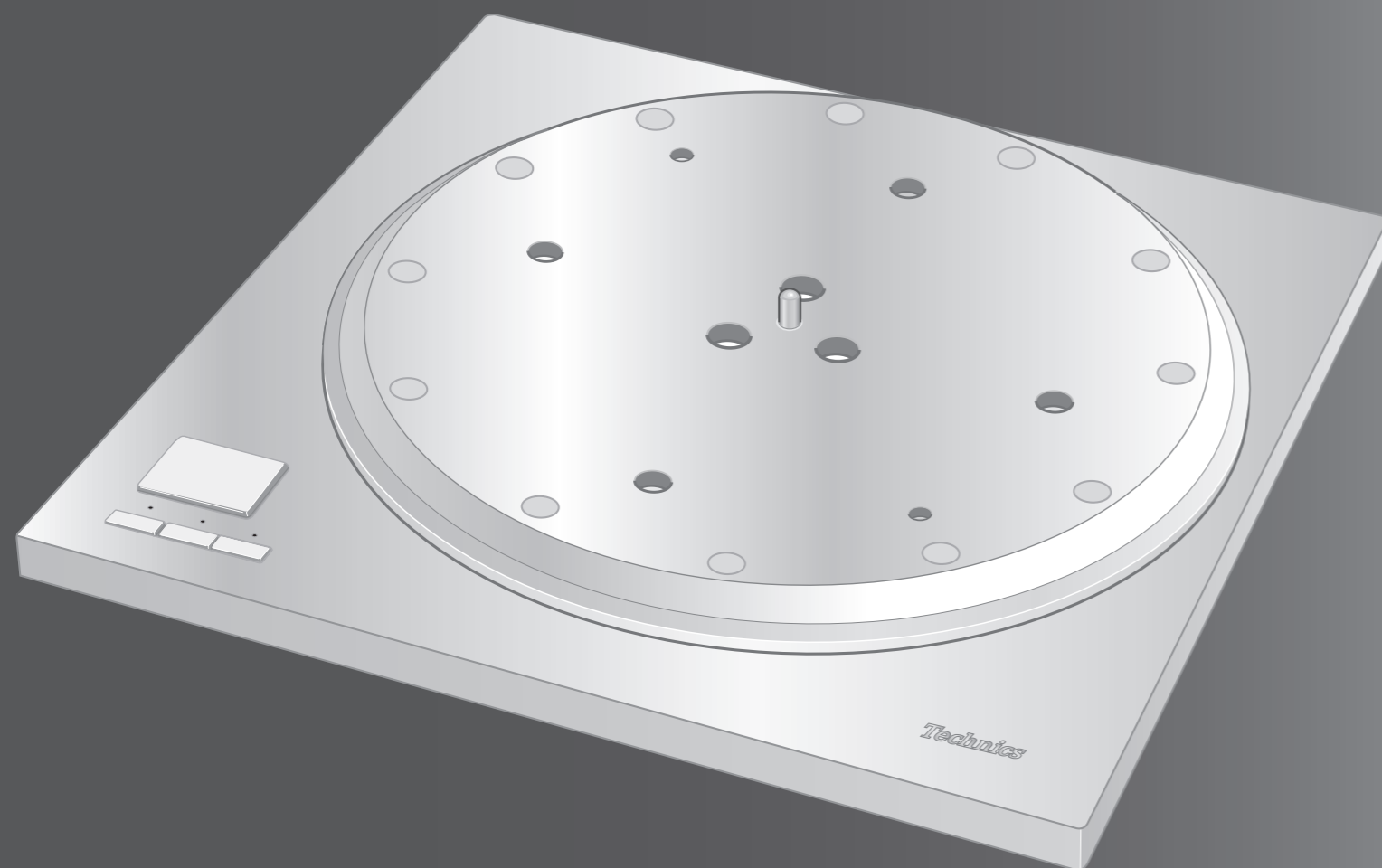
Direct Drive Turntable
Platine tourne-disque à entraînement direct
Plattenspieler mit Direktantrieb
Platine vinyle à entraînement direct
Giradischi ad azionamento diretto
Plato giratorio de accionamiento directo
Pladespiller med direkte drev
Draaischijf met directe aandrijving
Skivspelare med direktdrivning
Suoravetoinen levysoitin
Gramofon Direct Drive

Operating Instructions
Manuel d'utilisation
Bedienungsanleitung
Mode d'emploi
Istruzioni per l'uso
Instrucciones de funcionamiento
Betjeningsvejledning
Gebruiksaanwijzing
Bruksanvisning
Käyttöohjeet
Instrukcja obsługi

Music is borderless and timeless, touching people's hearts across cultures and generations. Each day the discovery of a truly emotive experience from an unencountered sound awaits. Let us take you on your journey to rediscover music.

Rediscover Music™

Technics



Delivering the Ultimate Emotive Musical Experience to All

At Technics we understand that the listening experience is not purely about technology but the magical and emotional relationship between people and music. We want people to experience music as it was originally intended and enable them to feel the emotional impact that enthuses and delights them.

Through delivering this experience we want to support the development and enjoyment of the world's many musical cultures. This is our philosophy.

With a combination of our love of music and the vast high-end audio experience of the Technics team, we stand committed to building a brand that provides the ultimate emotive musical experience by music lovers, for music lovers.

Director
Michiko Ogawa

Introduction

Thank you for purchasing this product.
Please read these instructions carefully before using this product, and save this manual for future use.

- About descriptions in these operating instructions
 - Pages to be referred to are indicated as “(⇒ 00)”.
 - The illustrations shown may differ from your unit.

For the U.S.A. and Canada

If you have any questions, visit:
U.S.A.: <http://shop.panasonic.com/support>
Canada: www.panasonic.ca/english/support
Register online at <http://shop.panasonic.com/support> (U.S. customers only)

For the United Kingdom and Ireland customers

Sales and Support Information
Customer Communications Centre
● For customers within the UK: 0333 222 8777
● For customers within Ireland: 01 447 5229
● Monday–Friday 9:00 am – 5:00 pm, (Excluding public holidays).
● For further support on your product, please visit our website: www.technics.com/uk/

Features

Coreless direct drive motor for smooth and accurate rotation

- The new coreless direct drive motor can reduce minute vibration during rotation by ensuring strong torque to drive the grand class turntable.
- The high-precision motor control technology changes the drive mode according to the motor operation status to achieve high rotation accuracy.

Three-layer turntable for stable rotation

- The three-layer turntable structure is consisting of brass, aluminum die-cast and deadening rubber that is against unwanted resonance and attached to the bottom surface.
- Dense tungsten weights are located on the outer periphery of the brass part to deliver large inertial mass.

Special control unit that can eliminate unwanted noise interference with the main unit

- The power circuit and control circuit are separated to minimize unwanted external noise interference with the main unit and stored in a single control unit.
- The new switching power supply with a noise reduction circuit has been developed to reduce noise in voltage supply.

Compatibility with SP-10MK2 and SP-10MK3

- The player preserves the bottom shape and screw locations of SP-10MK2 and SP-10MK3 so that you can continue to use your cabinet and tone arm.

Table of contents

● Before use		Before use
Safety precautions	06	
IMPORTANT SAFETY INSTRUCTIONS	07	
Accessories	09	
Parts Name	10	
● Getting started		Getting started
Unpacking and preparation	12	
● Notes for taking out the goods from the package box and transporting ..	12	
Putting the player together	13	
● Before putting the player together (Regarding the cabinet and tone arm)	13	
● Mounting to the cabinet	13	
● Fitting the turntable	15	
● Fitting the turntable mat	15	
Connections and installation	16	
● Connecting the control unit / Connecting the power plug and earth ground	16	
● Installation	17	
● Playing back		Playing back
Playing records.....	18	
Pitch control (fine adjustment to pitch).....	20	
Operation and display of the control unit	21	
● Turntable speed setting	21	
● Switching the display mode	21	
● Turntable speed measurement	21	
● Display dimmer setting	22	
● Adjusting the torque to rotate the turntable at a constant speed	22	
● Maintenance		Maintenance
Maintenance.....	23	
Troubleshooting guide	24	
Specifications.....	25	
Dimensional drawings	26	
Limited Warranty (ONLY FOR U.S.A.)	269	
Limited Warranty (ONLY FOR CANADA).....	270	

Safety precautions

Warning

Unit

- To reduce the risk of fire, electric shock or product damage,
 - Do not expose this unit to rain, moisture, dripping or splashing.
 - Do not place objects filled with liquids, such as vases, on this unit.
 - Use only the recommended accessories.
 - Do not remove covers.
 - Do not repair this unit by yourself. Refer servicing to qualified service personnel.
 - Do not let metal objects fall inside this unit.
 - Do not place heavy items on this unit.

AC mains lead

- To reduce the risk of fire, electric shock or product damage,
 - Ensure that the power supply voltage corresponds to the voltage printed on this unit.
 - Insert the mains plug fully into the socket outlet.
 - Do not pull, bend, or place heavy items on the lead.
 - Do not handle the plug with wet hands.
 - Hold onto the mains plug body when disconnecting the plug.
 - Do not use a damaged mains plug or socket outlet.
- The mains plug is the disconnecting device. Install this unit so that the mains plug can be unplugged from the socket outlet immediately.
- Ensure the earth pin on the mains plug is securely connected to prevent electrical shock.
 - An apparatus with CLASS I construction shall be connected to a mains socket outlet with a protective earth connection.

Caution



Unit

- Do not place sources of naked flames, such as lighted candles, on this unit.
- This unit may receive radio interference caused by mobile telephones during use. If such interference occurs, please increase separation between this unit and the mobile telephone.
- This unit is intended for use in moderate and tropical climates.
- Do not put any objects on this unit. This unit becomes hot while it is on.
- Be careful not to catch your hands and/or fingers in the turntable unit when assemble the player.
- Always use two people or more to install or move the unit.

Placement

- Place this unit on an even surface.
- To reduce the risk of fire, electric shock or product damage,
 - Do not install or place this unit in a bookcase, built-in cabinet or in another confined space. Ensure this unit is well ventilated.
 - Do not obstruct this unit's ventilation openings with newspapers, tablecloths, curtains, and similar items.
 - Do not expose this unit to direct sunlight, high temperatures, high humidity, and excessive vibration.
- Ensure that the placement location is sturdy enough to accommodate the weight of this unit (≈ 25).
- Do not lift or carry this unit by holding the knobs. Doing so may cause this unit to fall, resulting in personal injury or malfunction of this unit.

Caution for AC Mains Lead

(For the AC mains plug of three pins)
 For your safety, please read the following text carefully. This appliance is supplied with a moulded three pin mains plug for your safety and convenience. A 10-ampere fuse is fitted in this plug. Should the fuse need to be replaced please ensure that the replacement fuse has a rating of 10-ampere and that it is approved by ASTA or BSI to BS1362. Check for the ASTA mark  or the BSI mark  on the body of the fuse. If the plug contains a removable fuse cover you must ensure that it is refitted when the fuse is replaced. If you lose the fuse cover the plug must not be used until a replacement cover is obtained. A replacement fuse cover can be purchased from your local dealer.

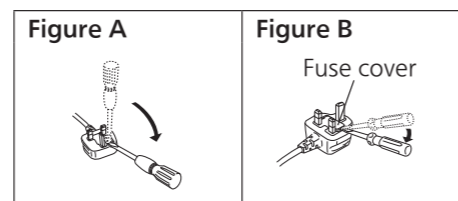
Before use

Remove the connector cover.

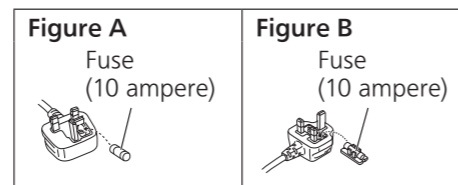
How to replace the fuse

The location of the fuse differ according to the type of AC mains plug (figures A and B). Confirm the AC mains plug fitted and follow the instructions below. Illustrations may differ from actual AC mains plug.

- Open the fuse cover with a screwdriver.



- Replace the fuse and close or attach the fuse cover.



Disposal of Old Equipment Only for European Union and countries with recycling systems




These symbols on the products, packaging, and/or accompanying documents mean that used electrical and electronic products must not be mixed with general household waste. For proper treatment, recovery and recycling of old products, please take them to applicable collection points in accordance with your national legislation. By disposing of them correctly, you will help to save valuable resources and prevent any potential negative effects on human health and the environment. For more information about collection and recycling, please contact your local municipality. Penalties may be applicable for incorrect disposal of this waste, in accordance with national legislation.

IMPORTANT SAFETY INSTRUCTIONS

For the U.S.A. and Canada

Read these operating instructions carefully before using the unit. Follow the safety instructions on the unit and the applicable safety instructions listed below. Keep these operating instructions handy for future reference.

- Read these instructions.
- Keep these instructions.
- Heed all warnings.
- Follow all instructions.
- Do not use this apparatus near water.
- Clean only with dry cloth.
- Do not block any ventilation openings. Install in accordance with the manufacturer's instructions.
- Do not install near any heat sources such as radiators, heat registers, stoves, or other apparatus (including amplifiers) that produce heat.
- Do not defeat the safety purpose of the polarized or grounding-type plug. A polarized plug has two blades with one wider than the other. A grounding type plug has two blades and a third grounding prong. The wide blade or the third prong are provided for your safety. If the provided plug does not fit into your outlet, consult an electrician for replacement of the obsolete outlet.
- Protect the power cord from being walked on or pinched particularly at plugs, convenience receptacles, and the point where they exit from the apparatus.
- Only use attachments/accessories specified by the manufacturer.
- Use only with the cart, stand, tripod, bracket, or table specified by the manufacturer, or sold with the apparatus. When a cart is used, use caution when moving the cart/apparatus combination to avoid injury from tip-over. 
- Unplug this apparatus during lightning storms or when unused for long periods of time.
- Refer all servicing to qualified service personnel. Servicing is required when the apparatus has been damaged in any way, such as power-supply cord or plug is damaged, liquid has been spilled or objects have fallen into the apparatus, the apparatus has been exposed to rain or moisture, does not operate normally, or has been dropped.

AC power supply cord

- The power plug is the disconnecting device. Install this unit so that the power plug can be unplugged from the socket outlet immediately.
- Ensure the earth pin on the power plug is securely connected to prevent electrical shock.
 - An apparatus with CLASS I construction shall be connected to a power socket outlet with a protective earthing connection.

Caution

Unit

- Do not place sources of naked flames, such as lighted candles, on this unit.
- Be careful not to catch your hands and/or fingers in the turntable unit when assemble the player.
- Always use two people or more to install or move the unit.

Placement

- To reduce the risk of fire, electric shock or product damage,
 - Do not install or place this unit in a bookcase, built-in cabinet or in another confined space. Ensure this unit is well ventilated.
 - Do not obstruct this unit's ventilation openings with newspapers, tablecloths, curtains, and similar items.

Warning

Unit

- To reduce the risk of fire, electric shock or product damage,
 - Do not expose this unit to rain, moisture, dripping or splashing.
 - Do not place objects filled with liquids, such as vases, on this unit.
 - Use only the recommended accessories.
 - Do not remove covers.
 - Do not repair this unit by yourself. Refer servicing to qualified service personnel.

IMPORTANT SAFETY INSTRUCTIONS (continued)

For the U.S.A. and Canada

The following mark and symbols are located on bottom of the unit.

CAUTION

RISK OF ELECTRIC SHOCK
DO NOT OPEN

CAUTION : TO REDUCE THE RISK OF ELECTRIC SHOCK, DO NOT REMOVE SCREWS. NO USER-SERVICEABLE PARTS INSIDE. REFER SERVICING TO QUALIFIED SERVICE PERSONNEL.

The lightning flash with arrowhead symbol, within an equilateral triangle, is intended to alert the user to the presence of uninsulated "dangerous voltage" within the product's enclosure that may be of sufficient magnitude to constitute a risk of electric shock to persons.

The exclamation point within an equilateral triangle is intended to alert the user to the presence of important operating and maintenance (servicing) instructions in the literature accompanying the appliance.

Conforms to UL STD 62368-1.
Certified to CAN/CSA STD C22.2 No.62368-1.

THE FOLLOWING APPLIES ONLY IN THE U.S.A. FCC Note:

This equipment has been tested and found to comply with the limits for a Class B digital device, pursuant to Part 15 of the FCC Rules.

These limits are designed to provide reasonable protection against harmful interference in a residential installation. This equipment generates, uses and can radiate radio frequency energy and, if not installed and used in accordance with the instructions, may cause harmful interference to radio communications.

However, there is no guarantee that interference will not occur in a particular installation. If this equipment does cause harmful interference to radio or television reception, which can be determined by turning the equipment off and on, the user is encouraged to try to correct the interference by one or more of the following measures:

- Reorient or relocate the receiving antenna.
- Increase the separation between the equipment and receiver.
- Connect the equipment into an outlet on a circuit different from that to which the receiver is connected.
- Consult the dealer or an experienced radio/TV technician for help.

FCC Caution:

To assure continued compliance, follow the attached installation instructions and use only shielded interface cables when connecting to peripheral devices. Any changes or modifications not expressly approved by the party responsible for compliance could void the user's authority to operate this equipment.

This device complies with Part 15 of the FCC Rules. Operation is subject to the following two conditions:
(1) This device may not cause harmful interference, and
(2) this device must accept any interference received, including interference that may cause undesired operation.

Responsible Party:
Panasonic Corporation of North America
Two Riverfront Plaza, Newark, NJ 07102-5490
Support Contact: <http://shop.panasonic.com/support>

THE FOLLOWING APPLIES ONLY IN CANADA. CAN ICES-3(B)/NMB-3(B)

Information on Disposal in other Countries outside the European Union

This symbol is only valid in the European Union.

If you wish to discard this product, please contact your local authorities or dealer and ask for the correct method of disposal.

Accessories

In order to prevent damage during shipping some of the equipment has been disassembled. Please check and identify the supplied accessories.

<p>AC mains lead (1 pc.) (K2CG3YY00191)</p>	<p>AC mains lead (1 pc.) (K2CM3YY00041)</p>	<p>AC mains lead (1 pc.) (K2CS3YY00033)</p>
<p>AC mains lead (1 pc.) (K2CT3YY00081)</p>	<p>Turntable mat (1 pc.) (RGS0008)</p>	<p>EP record adaptor (1 pc.) (TEKX077)</p>
<p>Screw set for turntable (1 set) (TYL0194)</p> <ul style="list-style-type: none"> ● Screws-long (3 pc.) ● Washers (3 pc.) ● Belleville springs (3 pc.) 	<p>Turntable (1 pc.) (TYL0195)</p>	<p>Detachable handle (2 pc.) (TXQ0020)</p>

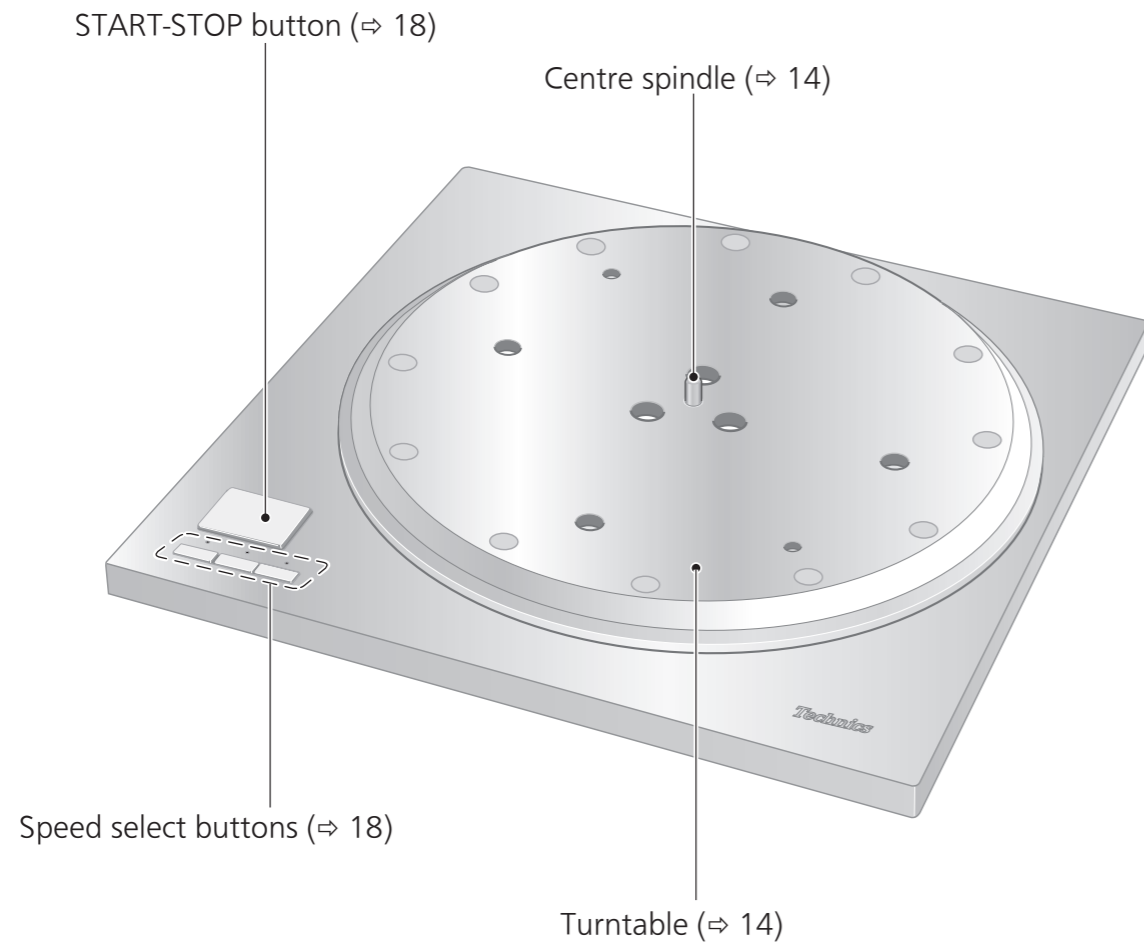
- The model numbers of the accessories are as of February 2018. They are subject to change without notice.
- Keep the packaging materials after taking out the goods. You will need them when carrying the product for a long distance.
- Follow the local regulations when disposing of the product.
- Do not use any other AC mains lead except the supplied one.
- Keep the auxiliary weight, screws and washers out of reach of children to prevent swallowing.

Before use

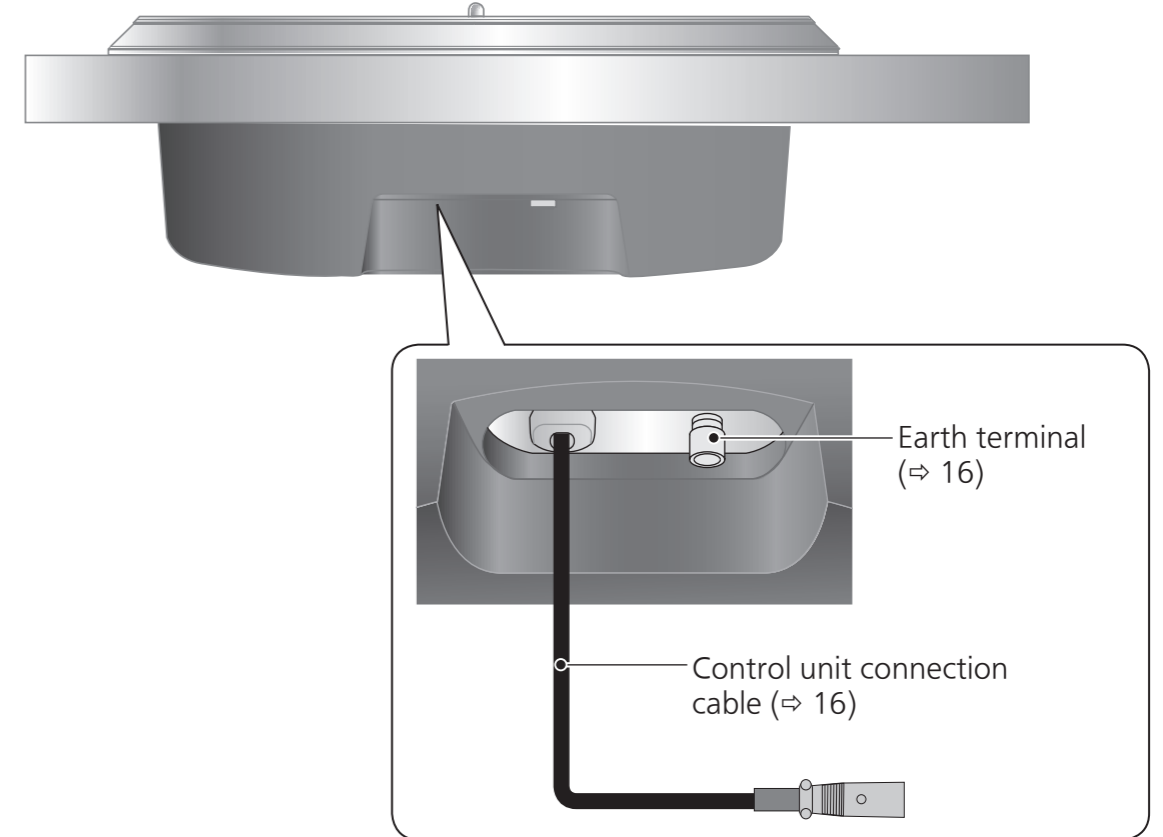
Parts Name

Numbers such as (⇒ 00) indicate reference pages.

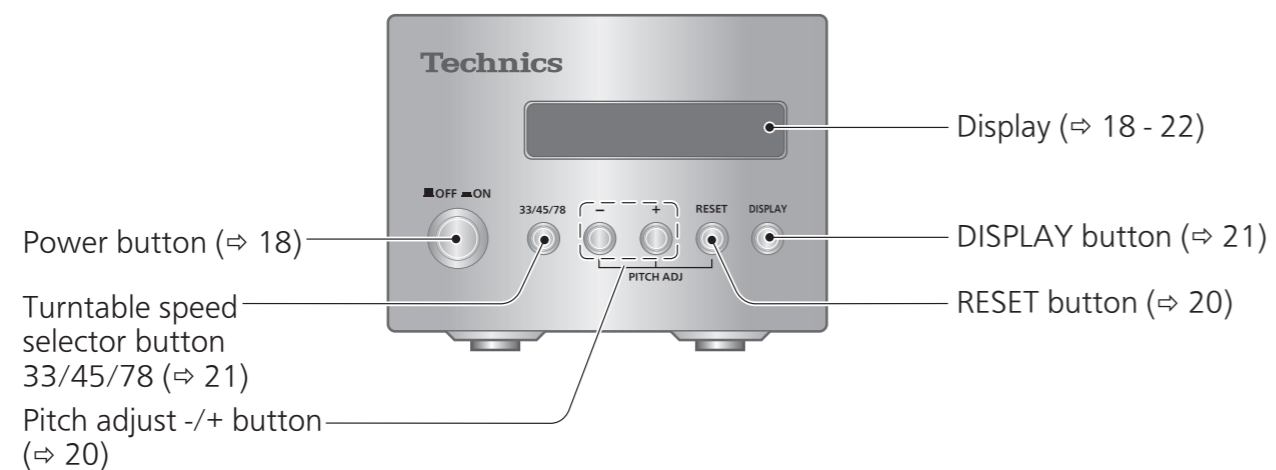
Main unit (Front)



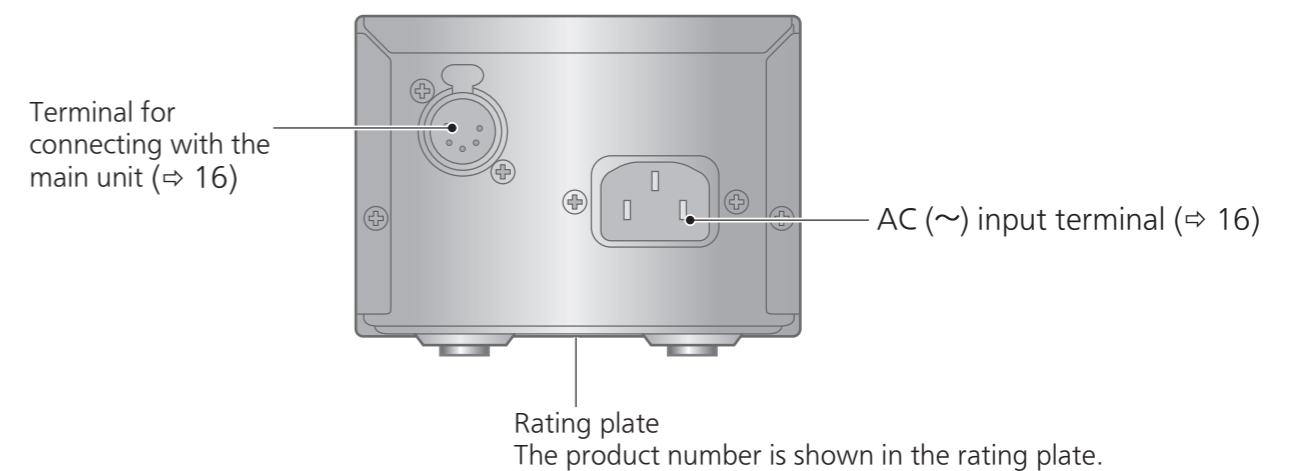
Main unit (Back)



Control unit (Front)



Control unit (Back)



Unpacking and preparation

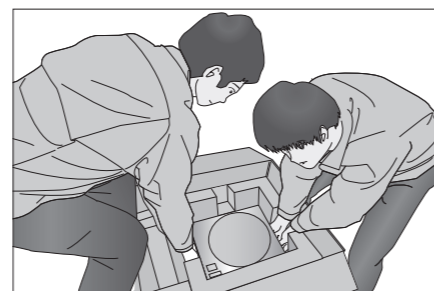
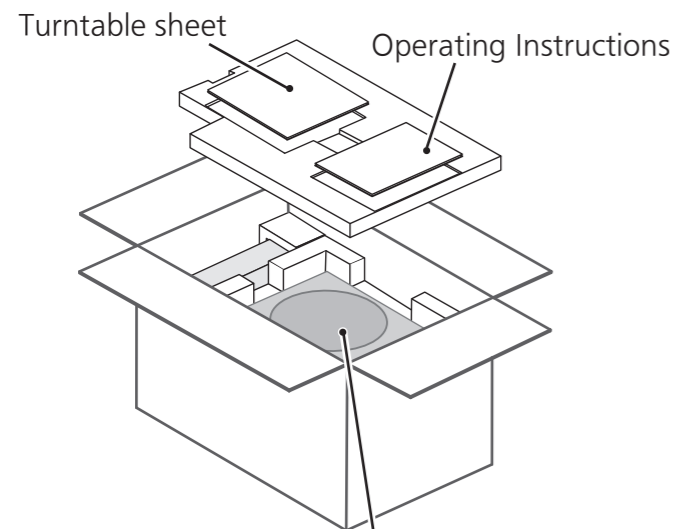
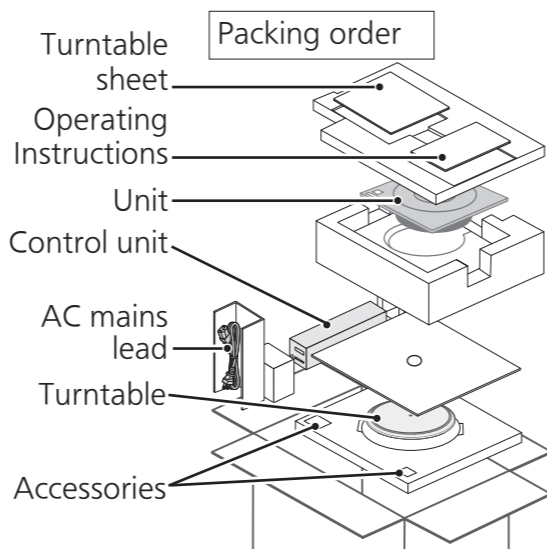
Notes for taking out the goods from the package box and transporting

Attention

- Always use two or more people to take out and transport the main unit.
- Be careful not to lose balance if lifting the unit with your hands at non-optimal position.
 - You may damage your back.
 - You may lose balance on the stairs and the like, which may lead to injury.
- Be careful not to catch your fingers when taking out the main unit.
- Be careful not to catch your fingers in the gap between the bottom of the main unit and floor.
- Keep the packaging materials after taking out the goods.
- Take out the goods after deciding the installation location.
- For notes regarding installation, see "Installation" (⇒17).

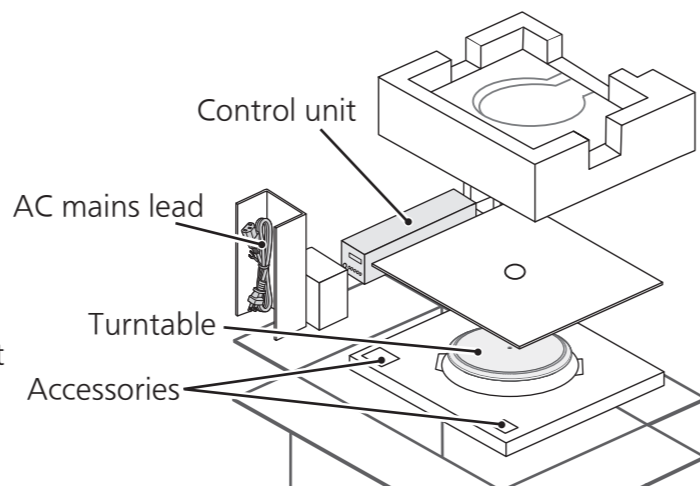
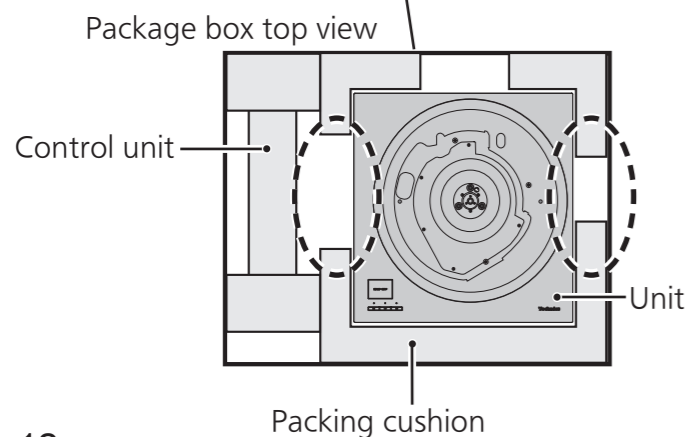
- ①Take out the turntable sheet and operating instructions..
- Keep accessories out children's reach.
 - The main unit and control unit are wrapped in protective sheets.

- ②Put your hands between the packing cushions (①dotted line area of the package box top view) and slowly lift the main unit to take it out. Always perform this task using two or more people.
- Be very careful when lifting the main unit.
 - Hold the main unit from the bottom to prevent it from slipping from your hands.
 - Perform the task using both hands to not lose balance.



Lifting task image

- ③Take out the control unit, AC mains lead cord, turntable, and other accessories.



Putting the player together

Before putting the player together (Regarding the cabinet and tone arm)

■ Regarding the cabinet

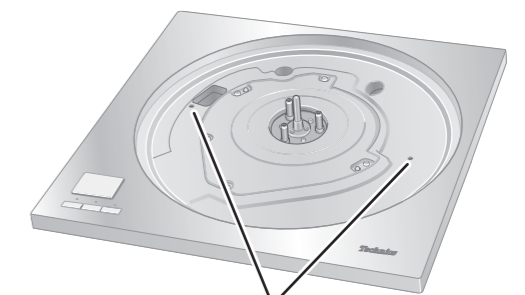
- This player preserves the bottom shape and screw locations of SP-10MK2 and SP-10MK3 so that you can continue using your cabinet and tone arm for a system using SP-10MK2 or SP-10MK3.
- This player is a model with a large starting torque. To make full use of its characteristics and performance, use a heavy cabinet made of a thick material.
- When choosing a cabinet, decide its external dimensions based on the effective length of your tone arm.
- Use solid and strong insulators to support the cabinet.
- Player mounting dimensions (⇒26)

■ Regarding the tone arm mounting

- Use the tone arm base sold separately. For details such as the mounting method, follow the tone arm base operating instructions and the tone arm leaflet.

Mounting to the cabinet

- 1 Tighten the detachable handle screws into the detachable handle mounting holes (two locations) on the main unit.**
- 2 Slowly lift the main unit and place it on the cabinet.**
- 3 Fix the main unit to the cabinet using screws.**
 - Mount by following the cabinet operating instructions.



Detachable handle mounting hole

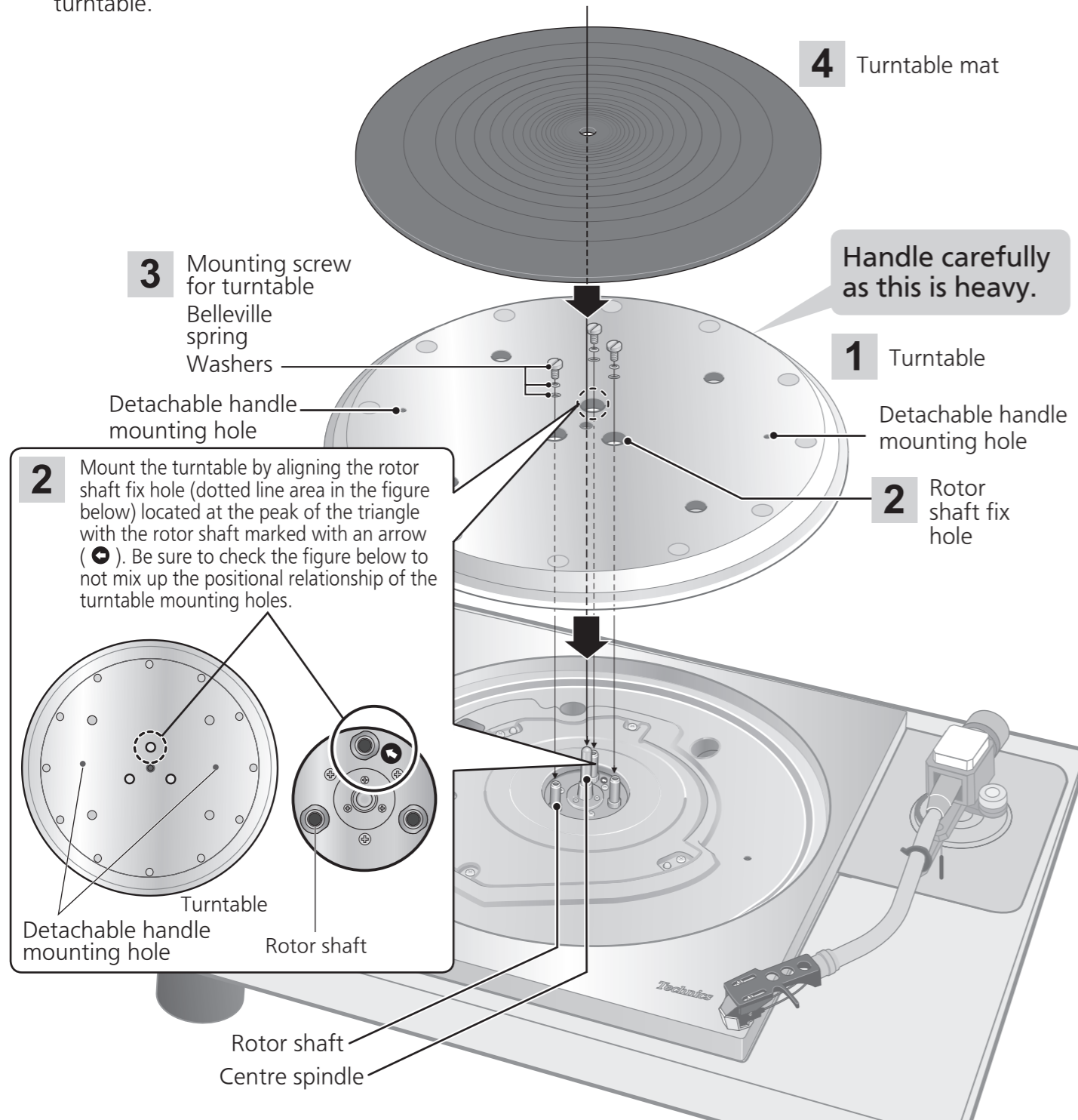


Putting the player together (continued)

In order to prevent damage during shipping, some of the equipment has been disassembled. Put the player together in the following order.

Attention

- Do not connect the AC mains lead until set up is complete.
- When fitting the turntable, prevent foreign material from getting in between the main unit and turntable.

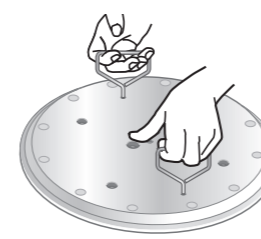


Attention

- Do not use an electric screwdriver or impact wrench to tighten screws.
- Note that using a screwdriver not fitting to the screws for mounting the turntable may damage the main unit.

Fitting the turntable

1



Tighten the detachable handle screws into the detachable handle mounting holes (two locations) on the turntable. Slowly lift the turntable and then lower it in such a way as to insert the center spindle into the hole in the center of the turntable.

locations) on the turntable. Slowly lift the turntable and then lower it in such a way as to insert the center spindle into the hole in the center of the turntable.

Attention

- Tighten the detachable handle by turning it 5 or more times. If you have tightened it until the end, loose a little bit. Do not tighten it firmly.
- Be careful when handling the turntable, as it is heavy.
- Wipe off fingerprints or dirt with a soft cloth.

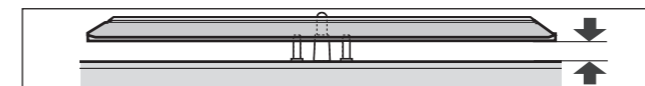
2

Slowly lower the turntable while aligning the rotor shaft fix holes (three locations) with the rotor shafts.

- Mount by using the rotor shaft with the arrow mark as a guide. (⇒ 14)

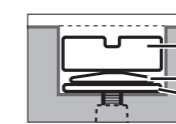
Attention

- If the rotor shafts are misaligned, a gap remains between the turntable and main unit and you cannot mount the turntable correctly. Do not force the turntable downward.



3

Attach the washers, belleville springs, and screws for turntable to the rotor shaft fix holes, and tighten the mounting screws securely.



Mounting screw for turntable
Belleville spring
Washers

Attention

- When tightening screws, do not allow screw heads to protrude from the top surface of the turntable.
- Tighten the three screws uniformly. Failing to do so may make the turntable rattle or rotate unstably. Make sure none of the screws are loose.

To remove the turntable

- ① Loosen the mounting screws for turntable and remove them.
-Keep the screws, belleville springs, and washers carefully.
- ② Tighten the detachable handle screws into the detachable handle mounting holes (two locations) on the turntable and slowly lift the turntable straight up.

Fitting the turntable mat

4

Lay the turntable mat on the turntable.

Connections and installation

- Turn off all units and disconnect the AC power supply cord from the outlet before making any connections.
- Connect the AC power supply cord only after all other connections are completed.
- Refer also to the instruction manual of the connected device.

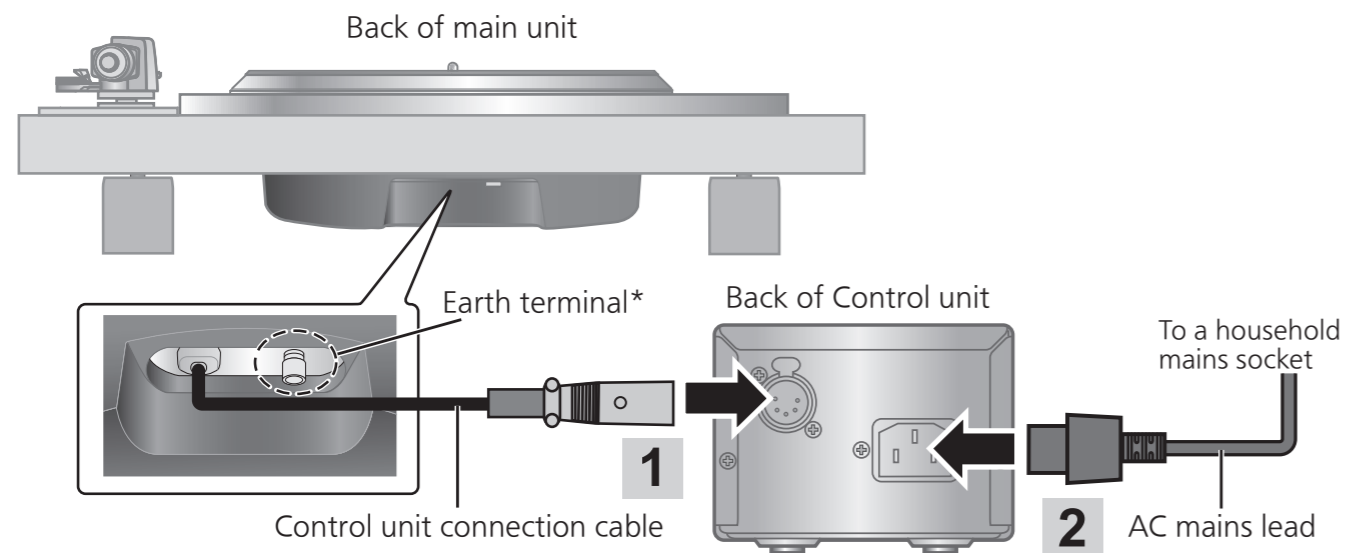
Connecting the control unit / Connecting the power plug and earth ground

1 Connect the control unit connection cable by inserting it until it clicks into place.

2 Connect the AC mains lead.

3 Connect the power plug and earth ground.

- Confirm the wattage of the AC outlet on the connected equipment before using it for this unit.
(This unit consumes 10 W.)



*When necessary, connect the earth terminal of the main unit to that on the amplifier by using a commercially available earth lead.

Note

- Although the AC power switch is in the "OFF" position, the unit is not completely disconnected from the mains. Remove the plug from the main electrical outlet if you will not be using the unit for an extended period of time. Place the unit so the plug can be easily removed.

Installation

Notes for installation

- Always use two people or more to install or move the unit.
- Before you move the unit, remove all devices connected and turn off the power supply. Moving the unit with the control unit connected may make it fall off and cause injury.
- Ensure the unit is not exposed to direct sunlight, dust, humidity, and heat from a heating appliance.
- This unit may pick up interference from a radio if there is one nearby. Keep the unit as far as possible from a radio.
- Do not install the unit on a heat source.
- Avoid a place with large temperature variations.
- Avoid a place with frequent condensation.
- If anti-tip measures are required, consult a contractor. The floor and wall strength need to be checked.
- Avoid an unstable place.
- Do not put an object on the unit.
- Do not install the unit in a confined space such as a book shelf.
- Install the unit at a position well away from walls or other devices to ensure effective heat radiation from the inside of the unit.
- Make sure the installation location is sufficiently strong to withstand the total weight of the unit and system.
- Note that the unit may be damaged by cigarette smoke or moisture from an ultrasonic humidifier.

Condensation

Think of taking out a cold bottle from a refrigerator. If you leave it in a room for a while, dewdrops will form on the bottle surface.

This phenomenon is called "condensation".

Conditions causing condensation

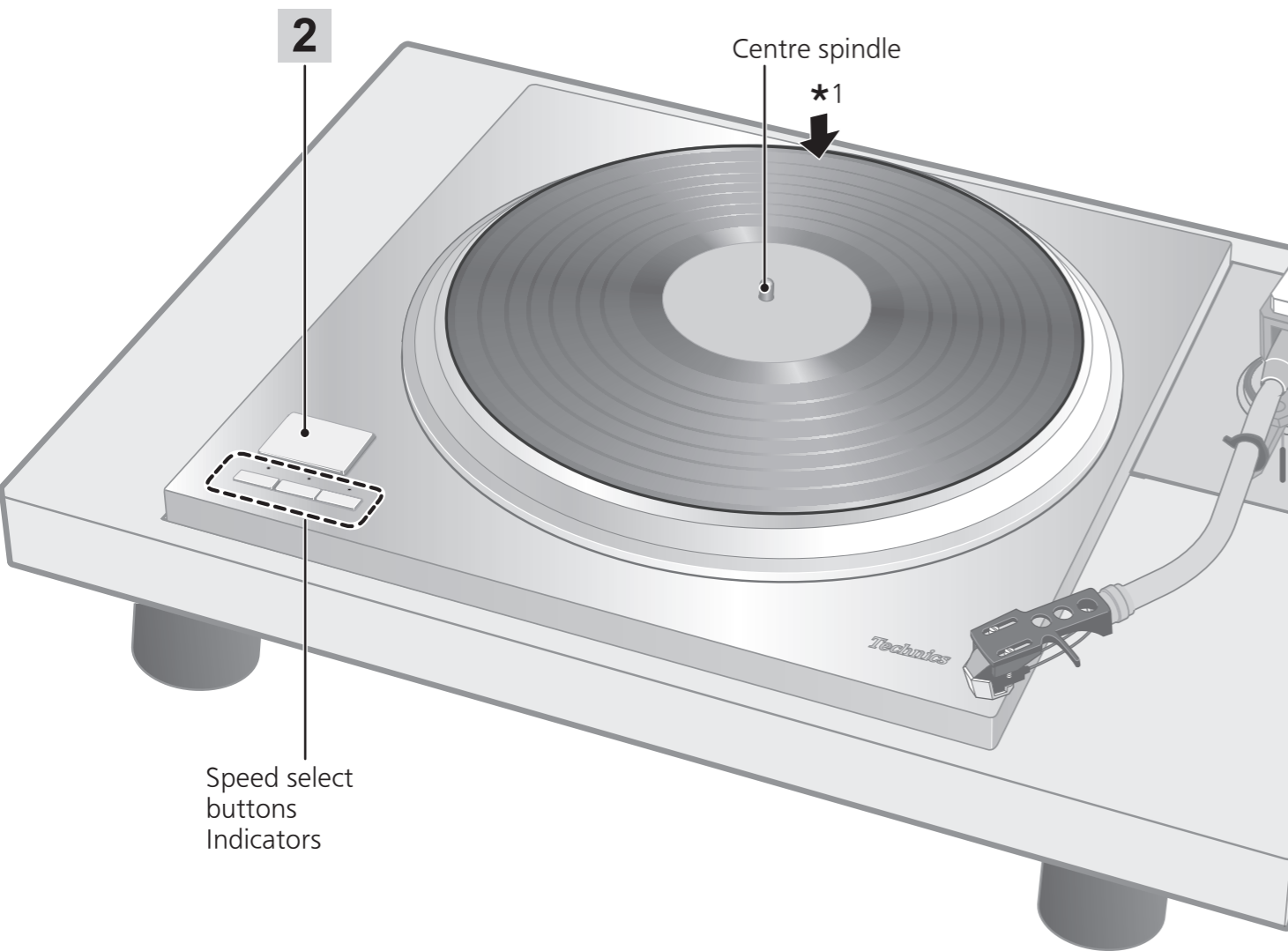
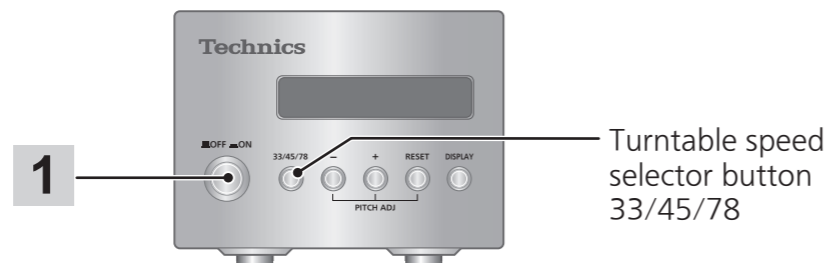
- ◇ Rapid temperature change (caused by moving from a warm place to a cold place or vice versa, rapid cooling or heating, or direct exposure to cooled air)
- ◇ High humidity in a room with much steam, etc.
- ◇ Rainy season

- Condensation may damage the unit. If it has occurred, turn the unit off and leave it until it adapts to the ambient temperature (approximately 2 to 3 hours).

Playing records

Preparation

★1 Put a record (not included) on the turntable.

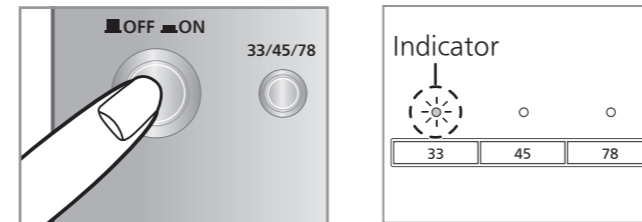


Attention

Do not press [START-STOP] when the turntable is removed.

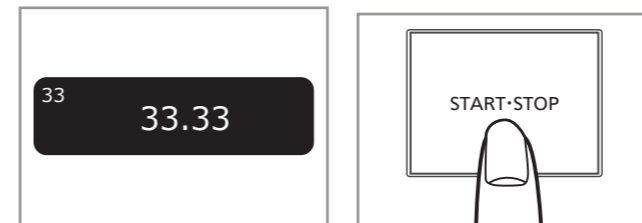
1 Press the power button of the control unit to turn it on.

The speed is automatically set to $33\frac{1}{3}$ turns, the [33] indicator lights on the main unit and the turntable speed of [33.33] appears on the display of the control unit.



2 Press [START-STOP].

The turntable starts revolving.

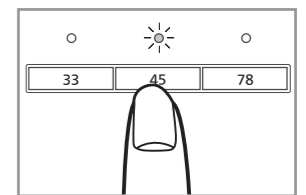


■ When play finishes

- ① Lift the cue lever, return the tone arm to the arm rest and lower the cue lever.
- ② Press [START-STOP].
The electronic brake gently stops the turntable.
- ③ Press the power button of the control unit to turn it off.
- ④ Clamp the tone arm with the arm clamp.
- ⑤ Put the stylus cover back on (to protect the stylus tip).

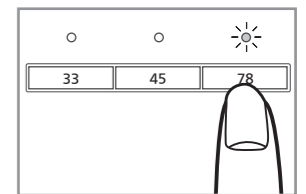
■ When playing EP records

- Press the speed select button [45] ([45] lights).
- Fit the EP record adaptor over the centre spindle.



■ When playing SP records

- Press the speed select button [78] ([78] lights).

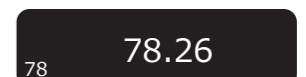
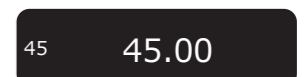


■ When using a record stabilizer (not included)

- See the instruction manual of the record stabilizer.
- Maximum weight: 1 kg

Note

- Pressing [33/45/78] on the control unit can also change the turntable speed. (⇒21)



Pitch control (fine adjustment to pitch)

1 Press [-] or [+] on the control unit to make adjustment.

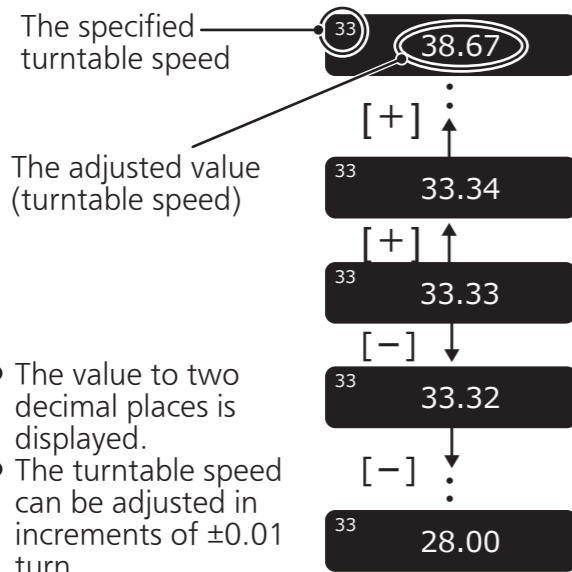
- The pitch can be set within approximately $\pm 16\%$ of the currently set turntable speed [33/45/78].
- The current set value appears on the display of the control unit. The display differs depending on the display mode. (Switching the display mode \Rightarrow 21)
- The turntable speed changes each time the pitch is set while the turntable is rotating.

*Pressing the button increases or decreases the value.

*Holding the button down accelerates the increase or decrease.

■ When the display mode is "Turntable speed setting"

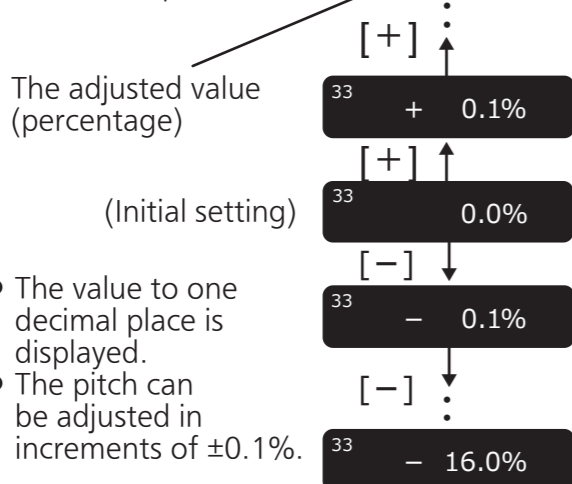
The specified turntable speed



- The value to two decimal places is displayed.
- The turntable speed can be adjusted in increments of ± 0.01 turn.

■ When the display mode is "Pitch setting"

The specified turntable speed



- The value to one decimal place is displayed.
- The pitch can be adjusted in increments of $\pm 0.1\%$.

■ To return to the prescribed turntable speed

Press [RESET] on the control unit. The value immediately returns to the prescribed turntable speed. ($33^{1/3}$, 45 or 78.26 rpm)

*The display of the control unit shows the prescribed setting.

The turntable speed becomes the prescribed turntable speed in the turntable speed setting mode and 0.0% in the pitch setting mode.

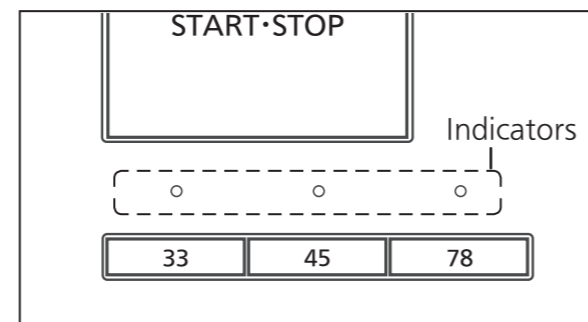
(Display mode: Turntable speed setting)



(Display mode: Pitch setting)



■ Speed selector button indicators of the main unit during pitch control



- Blue LED on: Without pitch control (0.0%)
- Orange LED on: During pitch control

Note

- The pitch can be set for each turntable speed.
- Turning off the power button cancels the pitch control setting. Turning on the power button again returns the value to the initial setting.

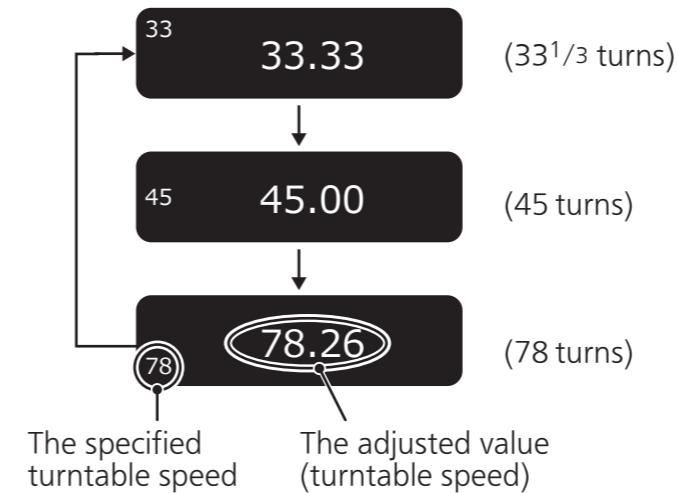
Operation and display of the control unit

Turntable speed setting

1 Press [33/45/78] on the control unit.

Each time [33/45/78] is pressed, the turntable speed changes in order of "33" \rightarrow "45" \rightarrow "78" \rightarrow "33" \rightarrow ...

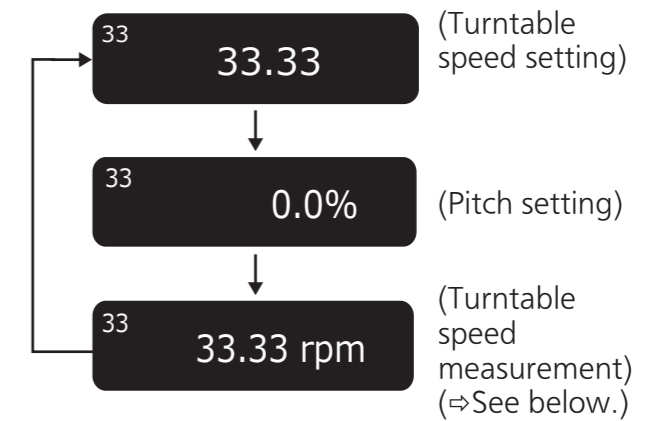
- The turntable speed changes each time the pitch is set while the turntable is rotating.



Switching the display mode

1 Press [DISPLAY] on the control unit.

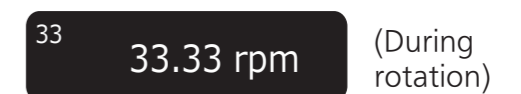
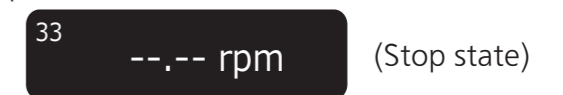
Each time [DISPLAY] is pressed, the display mode changes in order of "turntable speed setting" \rightarrow "Pitch setting" \rightarrow "Turntable speed measurement" \rightarrow "Turntable speed setting" \rightarrow ...



Turntable speed measurement

The actual turntable speed can be measured in this display mode. Switch the display mode (see above) to enter this mode.

- "rpm" appears after the numerical value.
- "--.-- rpm" appears when the turntable has stopped.



■ Operation during "Turntable speed measurement"

Operating the buttons as below changes the display mode to "Turntable speed setting" allowing you to make the setting.

*The display mode returns to "Turntable speed measurement" if no operation is performed within three seconds.

- [-]/[+]: The pitch can be adjusted. (\Rightarrow 20)
- [RESET]: The value immediately returns to the prescribed turntable speed.
- [33/45/78]: The turntable speed changes each time the button is pressed.

Note

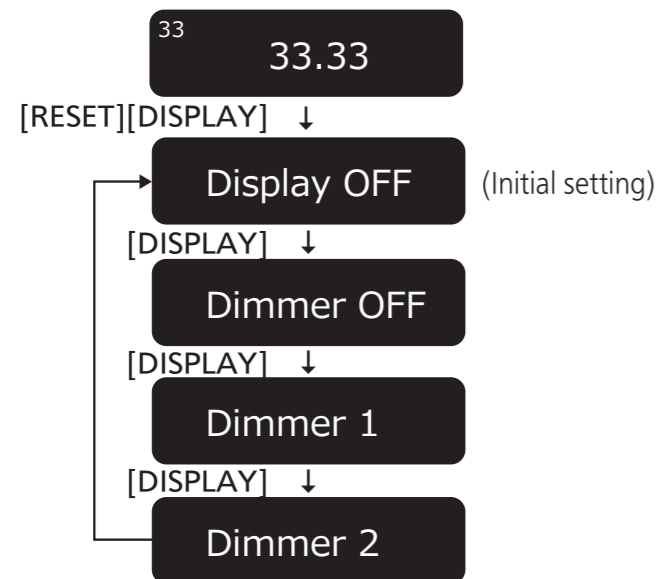
- An averaged value is displayed.

Operation and display of the control unit (continued)

Display dimmer setting

The display dimmer will be activated if the control unit is not operated for 20 seconds. There are four dimming patterns.

- 1 On the control unit, hold [RESET] down and press [DISPLAY].**
 - The dimmer setting is displayed.
- 2 Press [DISPLAY] on the control unit.** The setting changes each time [DISPLAY] is pressed. (⇒ See below.)
 - The display returns to the original display if no operation is performed within three seconds.



Display	Display dimmer when no operation is performed for 20 seconds
Display OFF	Brightness is reduced by one level. ⇒ (No operation for further five seconds) ⇒ Brightness is reduced by two levels. ⇒ (No operation for further five seconds) ⇒ Off
Dimmer OFF	No dimming (Always on)
Dimmer 1	Brightness is reduced by one level.
Dimmer 2	Brightness is reduced by two levels.

- After setting, brightness is immediately adjusted to the set value. The display is immediately turned off if "Display OFF" is selected.
- Operating a button (any button other than the power button) on the control unit while the dimmer is active returns the display to full brightness.

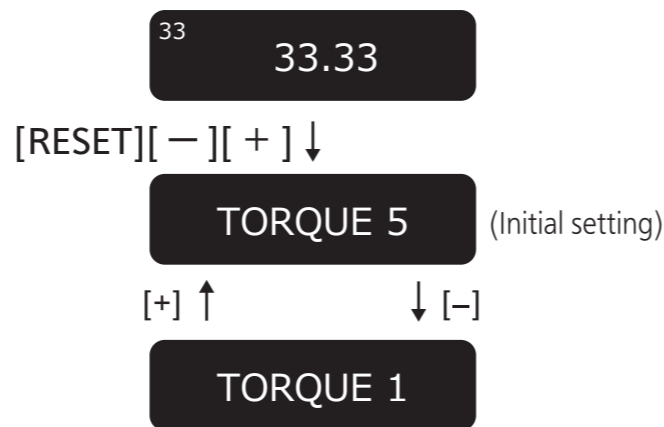
Note

- The setting is saved. When the power is turned on the next time, the setting when the power was turned off last will be recovered.

Adjusting the torque to rotate the turntable at a constant speed

Press [START•STOP] and then adjust the torque (rotational force) at five levels to rotate the turntable at a constant speed.

- 1 On the control unit, hold [RESET] down and press [-] and [+] simultaneously.**
 - The torque setting is displayed.
- 2 Press [-] or [+] on the control unit to make adjustment.**
 - Select one of the five levels from "TORQUE1" to "TORQUE5". Pressing the button increases or decreases the value.
 - Use the table below as a guide.
 - The display returns to the original display if no operation is performed within three seconds.



Display	Torque to rotate at a constant speed
TORQUE5	Maximum (Initial setting)
TORQUE4	↕
TORQUE3	
TORQUE2	
TORQUE1	Minimum

Note

- The setting is saved. When the power is turned on the next time, the setting when the power was turned off last will be recovered.

Maintenance

■ Cleaning the main unit

Wipe the main unit and other components with a dry soft cloth.

When dirt is heavy, wring a wet cloth tightly to wipe the dirt, and then wipe it with a soft cloth.

- Do not use solvents including benzene, thinner, alcohol, kitchen detergent, a chemical wiper, etc. This might cause the exterior case to be deformed or the coating to come off.

■ Moving the unit

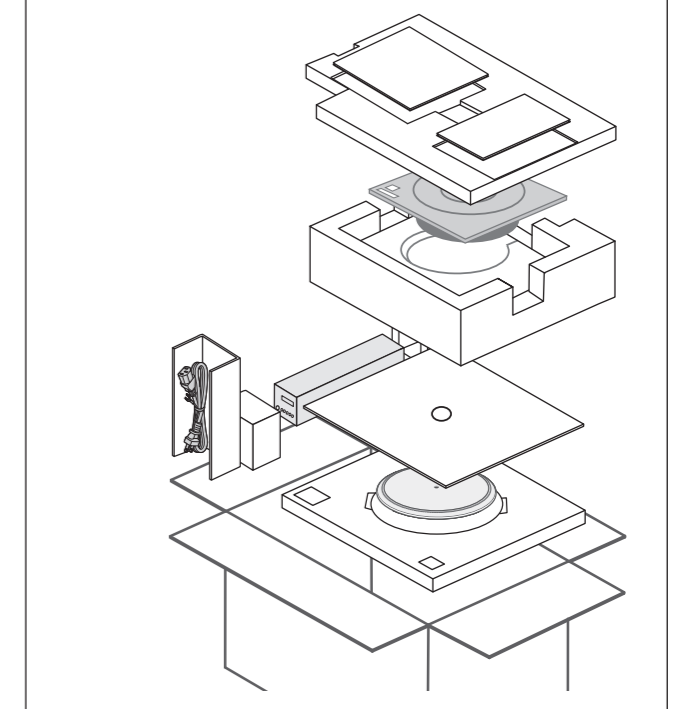
Repackage the unit in the packaging it came in. (⇒ 12)

Keep the packaging materials after taking out the goods.

If you no longer have the packaging, do the following:


- Take off the turntable and turntable mat and carefully wrap them.
- Carefully wrap the main unit in a blanket or paper.

Repackaging



■ WEEE symbol

Disposal of the product outside the EU countries

 This symbol is valid within the EU only. Contact a local governmental office or your dealer to confirm a right manner of disposal.

Troubleshooting guide

Before requesting service, make the below checks. If you are in doubt about some of the check points, or if the remedies indicated in the chart do not solve the problem, contact your dealer.

No power

- Is the AC mains lead plugged in?
→ Plug the mains lead in firmly. (⇒ 16)
- Is the control unit connected with the main unit?
→ Insert the control unit connection cable until it clicks. (⇒ 16)

No indication on the display of the control unit

- Is the power plug connected?
→ Insert it firmly. (⇒ 16)
- Is the power on?
→ Press the power button to turn on the power. (⇒ 18)
- Is the display dimmer activated?
→ Operate a button (any button other than the power button) on the control unit. (⇒ 22)

Error code

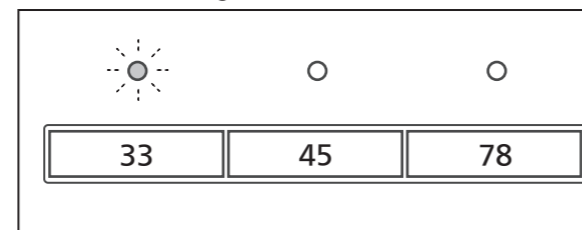
Occurrence of an error will be notified as necessary on the display of the control unit and with the speed selector button indicators of the main unit.

Display of the control unit	Measure
Unconnected	Check that the control unit is connected with the main unit. (⇒ 16)
F58 F76 F17	Consult your dealer. <ul style="list-style-type: none"> • One of the [33/45/78] speed selector button indicators of the main unit blinks (rapidly or slowly) in orange. • Provide the displayed number and the LED's blinking status at the time of consultation.

(Example of the display of the control unit in case of an error)

Unconnected

(Example of the speed selector button indicators of the main unit in case of an error)
Flashes in orange.



Specifications

General	
Power supply	AC 110-240 V, 50/60 Hz
Power consumption	10 W (Power ON) 0.05 W (Power OFF)
Dimensions (W×H×D)	<Control unit> 110×84×350 mm (4-11/32×3-5/16×13-25/32 inch)
	<Main unit> 365×109×365 mm (14-3/8×4-5/6×14-3/8 inch)
Mass	<Control unit> Approx. 2.1 kg (4.7 lbs)
	<Main unit> Approx. 18.2 kg (40.2 lbs)
Operating temperature range	0 °C to 40 °C (32 °F to 104 °F)
Operating humidity range	35 % to 80 % RH (no condensation)
Turntable section	
Drive method	Direct drive
Motor	Brushless DC motor
Turntable	Brass and Aluminum die-cast combined Diameter: 323 mm (12-23/32 inch) Mass: Approx. 7.9 kg (17.5 lbs) (including the turntable sheet)
Turntable speeds	33-1/3, 45 and 78* rpm
Variable range pitch	±16 %
Starting torque	0.39 N·m (4.0 kg·cm) / 3.47 lb-in
Braking system	Electronic brake
Wow and flutter	0.015 % W.R.M.S. (JIS C5521)
Terminal section	
Output terminal	Earth terminal

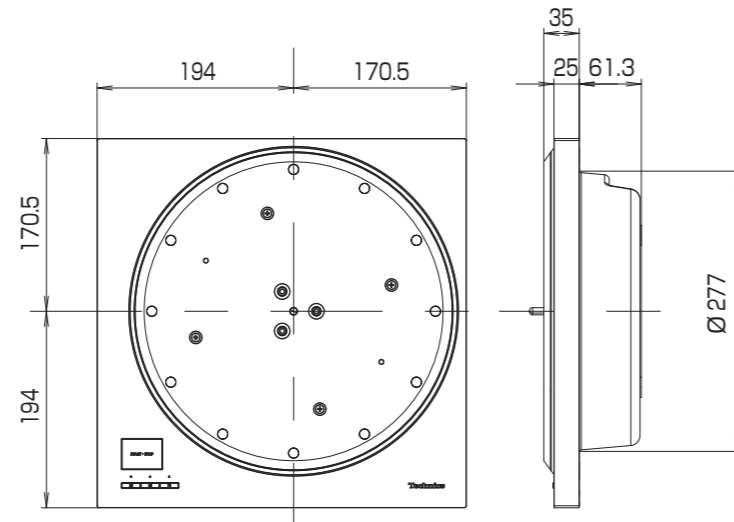
Specifications are subject to change without notice.

*The turntable speed will be 78.26 rpm when set to 78 rpm (pitch control 0.0%).

Dimensional drawings

■ External dimensions

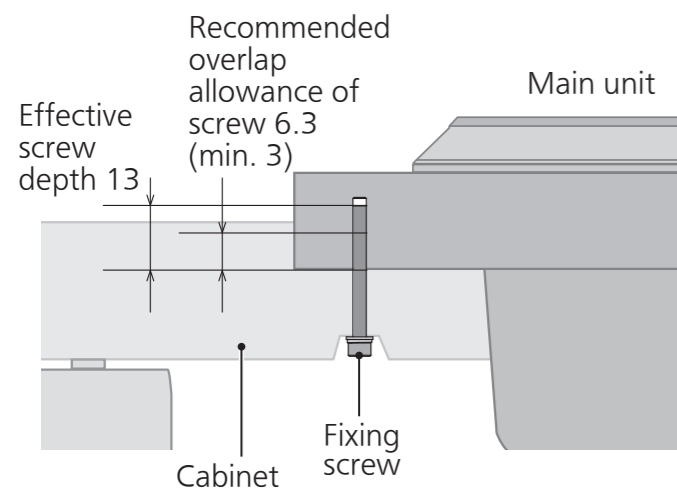
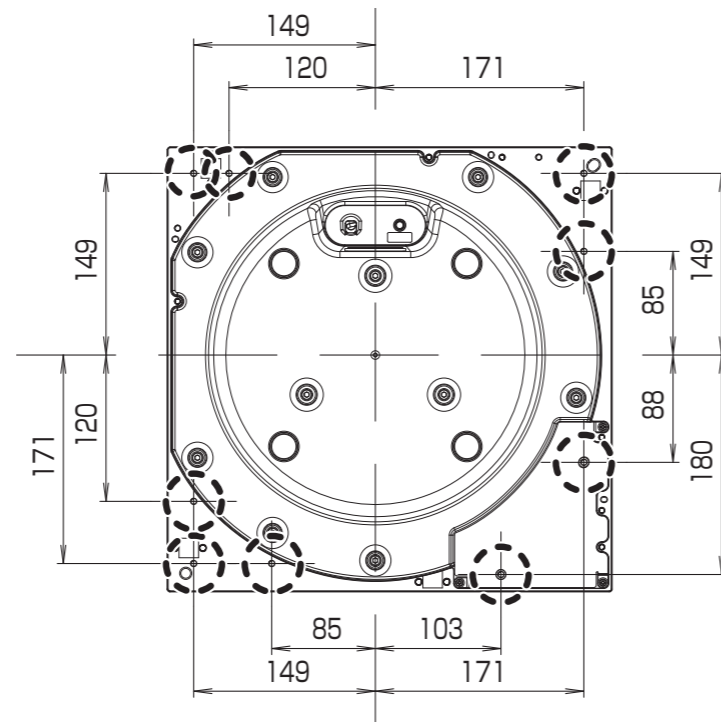
Select a cabinet that fits with the external dimensions of the player.
<Unit: mm>



■ Locations of the screws for fixing the cabinet

Fix the player to the cabinet at the nine positions (marked with dotted line) shown in the right figure (the bottom surface of the main unit). <Unit: mm>

- Fixing screw: M5
See the sectional view below when selecting the length of the fixing screws.



Introduction

Nous vous remercions d'avoir arrêté votre choix sur cet appareil. Veuillez lire attentivement ces instructions avant d'utiliser ce produit et conservez ce manuel pour une utilisation future.

- À propos des descriptions dans ce mode d'emploi
 - Les pages auxquelles se reporter sont indiquées comme suit « (⇒ 00) ».
 - Les illustrations présentées peuvent différer de votre tourne-disque.

Caractéristiques

Moteur d'entraînement direct sans mandrin pour une rotation douce et précise

- Le nouveau moteur à entraînement direct sans mandrin peut réduire les vibrations/minute pendant la rotation en assurant un couple puissant pour l'entraînement de la platine haute gamme.
- La technologie de commande du moteur de haute précision modifie le mode d'entraînement en fonction de l'état de fonctionnement du moteur pour obtenir une précision de rotation élevée.

Platine à trois couches pour une rotation stable

- La structure de la platine à trois couches se compose de laiton, d'aluminium moulé sous pression et de caoutchouc amortissant contre toute résonance indésirable et est fixée sur la surface inférieure.
- Les poids compacts en tungstène sont situés à la périphérie extérieure de la partie en laiton pour procurer une grande masse d'inertie.

Unité de commande spéciale pouvant éliminer les interférences sonores indésirables avec l'unité principale

- Le circuit d'alimentation et le circuit de commande sont séparés pour minimiser les interférences sonores externes indésirables avec l'unité principale et stockés dans une unité de commande unique.
- La nouvelle alimentation à découpage avec un circuit de réduction du bruit a été développée pour réduire le bruit dans l'alimentation en tension.

Compatibilité avec le SP-10MK2 et le SP-10MK3

- Le lecteur conserve la forme inférieure et les emplacements des vis des modèles SP-10MK2 et SP-10MK3 afin que vous puissiez continuer à utiliser votre meuble et votre bras de lecture.

Table des matières

● Avant toute utilisation		Avant toute utilisation
IMPORTANTES MISES EN GARDE.....	06	
Accessoires	09	
Nom des pièces.....	10	
● Démarrage		Démarrage
Déballage et préparation.....	12	
● Remarques pour sortir les marchandises de la boîte d'emballage et les transporter	12	
Assemblage du tourne-disque	13	
● Avant de connecter le lecteur (concernant le meuble et le bras de lecture)	13	
● Montage sur le meuble	13	
● Montage du plateau.....	15	
● Mise en place du tapis du plateau.....	15	
Raccordements et installation.....	16	
● Connexion de l'unité de commande / Connexion de la prise d'alimentation et de la prise de terre	16	
● Installation	17	
● Lecture		Lecture
Lecture de disques	18	
Commande de hauteur tonale (réglage précis de la vitesse de rotation) ...	20	
Fonctionnement et affichage de l'unité de commande.....	21	
● Réglage de la vitesse de la platine.....	21	
● Commutation du mode d'affichage	21	
● Mesure de la vitesse de la platine	21	
● Réglage du variateur d'affichage	22	
● Réglage du couple pour faire tourner la platine à une vitesse constante	22	
● Entretien		Entretien
Entretien	23	
Guide de dépannage.....	24	
Spécifications.....	25	
Dessins dimensionnels.....	26	
Certificat de garantie limitée (SEULEMENT POUR LE CANADA) .	271	

IMPORTANTES MISES EN GARDE

Avant d'utiliser l'appareil, lire attentivement les instructions qui suivent. Se conformer tout particulièrement aux avertissements inscrits sur l'appareil et aux consignes de sécurité indiquées ci-dessous. Conserver le présent manuel pour consultation ultérieure.

- 1 Lire attentivement ces instructions.
- 2 Conserver ces instructions.
- 3 Lire toutes les mises en garde.
- 4 Suivre toutes les instructions.
- 5 Ne pas utiliser cet appareil près d'une source d'eau.
- 6 Ne nettoyer qu'avec un chiffon sec.
- 7 Ne pas bloquer les événements d'aération. Installer l'appareil selon les instructions du fabricant.
- 8 Ne pas installer l'appareil près d'un appareil de chauffage tel qu'un radiateur, une cuisinière, un registre de chaleur ou tout dispositif émettant de la chaleur (y compris un amplificateur).
- 9 Pour des raisons de sécurité, ne pas modifier la fiche polarisée ou celle de mise à la terre. Une fiche polarisée est une fiche à deux lames, dont une plus large. Une fiche de mise à la terre est une fiche à deux lames avec une broche de masse. La lame plus large ou la broche de masse procure une protection accrue. Si ce genre de fiche ne peut être inséré dans une prise de courant, communiquer avec un électricien pour remplacer la prise.
- 10 S'assurer que le cordon est placé dans un endroit où il ne risque pas d'être écrasé, piétiné ou coincé. Faire particulièrement attention à ses extrémités de branchement, y compris sa fiche.
- 11 N'utiliser que les accessoires ou périphériques recommandés par le fabricant.
- 12 N'utiliser l'appareil qu'avec un chariot, meuble, trépied, support ou table recommandé par le fabricant ou vendu avec l'appareil. Lors de l'utilisation d'un chariot, le déplacer avec le plus grand soin afin d'éviter tout dommage.
- 13 Débrancher cet appareil lors d'un orage ou en cas de non-utilisation prolongée.
- 14 Confier l'appareil à un technicien qualifié pour toute réparation : cordon d'alimentation ou fiche endommagé, liquide renversé ou objet tombé dans l'appareil, exposition à la pluie ou à une humidité excessive, mauvais fonctionnement ou échappement de l'appareil.



AVERTISSEMENT

Appareil

- Pour réduire les risques d'incendie, de choc électrique ou de dommages à l'appareil,
 - N'exposez pas cet appareil à la pluie, à l'humidité, à l'égouttement ou aux éclaboussures.
 - Ne placez sur l'appareil aucun objet rempli de liquide, comme par exemple des vases.
 - Utilisez exclusivement les accessoires recommandés.
 - Ne retirez pas les couvercles.
 - Toute réparation doit être faite par un personnel qualifié et non par l'utilisateur.

Cordon d'alimentation c.a.

- La fiche d'alimentation permet de déconnecter l'appareil. L'appareil doit être installé à proximité d'une prise secteur facile d'accès.
- Assurez-vous que la lame pour la mise à la terre est insérée bien à fond afin de prévenir tout choc électrique.
 - Un appareil de classe 1 peut être branché dans une prise secteur avec une protection pour mise à la terre.

ATTENTION

Appareil

- Ne placer sur l'appareil aucune source de flamme nue, telles des bougies allumées.
- Soyez toujours au moins deux personnes pour sortir et transporter l'unité principale.
- Veillez à ne pas vous coincer les mains et/ou les doigts dans la platine lorsque vous assemblez le lecteur.

Emplacement

- Pour réduire les risques d'incendie, de choc électrique ou de dommages à l'appareil,
 - Ne pas installer cet appareil dans une bibliothèque, une armoire ou tout autre espace confiné. S'assurer que la ventilation de l'appareil est adéquate.
 - Ne pas obstruer les événements d'aération de l'appareil avec des journaux, des nappes, des rideaux ou d'autres objets similaires.

La marque et le symbole suivants sont situés sous le fond l'appareil.



Le symbole de l'éclair dans un triangle équilatéral indique la présence d'une tension suffisamment élevée pour engendrer un risque de chocs électriques.



Le point d'exclamation dans un triangle équilatéral indique que le manuel d'utilisation inclus avec l'appareil contient d'importantes recommandations quant au fonctionnement et à l'entretien de ce dernier.

Conforme à la norme CAN/CSA STD C22.2 No.62368-1.

CE QUI SUIV NE S'APPLIQUE QU'AU CANADA.
CAN ICES-3(B)/NMB-3(B)



Information sur la mise au rebut dans les pays n'appartenant pas à l'Union européenne

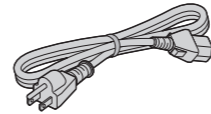
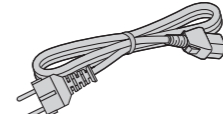
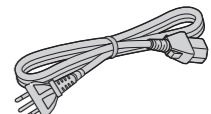
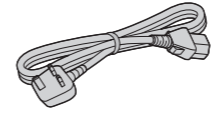
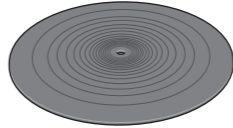

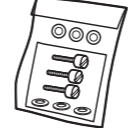
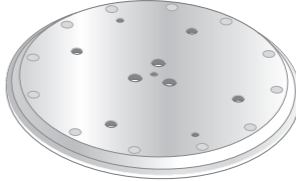
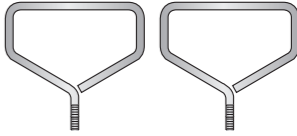


Ce symbole est uniquement valide dans l'Union européenne. Si vous désirez mettre ce produit au rebut, contactez l'administration locale ou le revendeur et informez-vous de la bonne façon de procéder.

Accessories

Dans le but de prévenir tout risque de dommages pendant l'expédition, le tourne-disque a été démonté.

Vérifier la présence et l'état des pièces et accessoires suivants.

<p>Cordon d'alimentation (1 pc.) (K2CG3YY00191)</p> 	<p>Cordon d'alimentation (1 pc.) (K2CM3YY00041)</p> 	<p>Cordon d'alimentation (1 pc.) (K2CS3YY00033)</p> 
<p>Cordon d'alimentation (1 pc.) (K2CT3YY00081)</p> 	<p>Tapis du plateau (1 pc.) (RGS0008)</p> 	<p>Adaptateur pour 45 tours prolongé (1 pc.) (TEKX077)</p> 
<p>Jeu de vis pour plateau (1 jeu) (TYL0194)</p> <ul style="list-style-type: none"> ● Vis-longues (3 pc.) ● Rondelles (3 pc.) ● Ressorts Belleville (3 pc.) 	<p>Plateau (1 pc.) (TYL0195)</p> 	<p>Poignée détachable (2 pc.) (TXQ0020)</p> 

- Les numéros de modèle des accessoires sont ceux de février 2018. Ils sont sujets à changements sans préavis.
- Conserver les matériaux d'emballage après avoir sorti les marchandises. Vous en aurez besoin lors du transport du produit sur une longue distance.
- Suivre les règlements locaux concernant la mise au rebut du produit.
- N'utilisez aucun autre cordon d'alimentation secteur que celui fourni.
- Gardez le poids auxiliaire, les vis et les rondelles hors de portée des enfants pour qu'ils ne les aient pas.

Nom des pièces

Les numéros tels que (⇒ 00) indiquent les pages de référence.

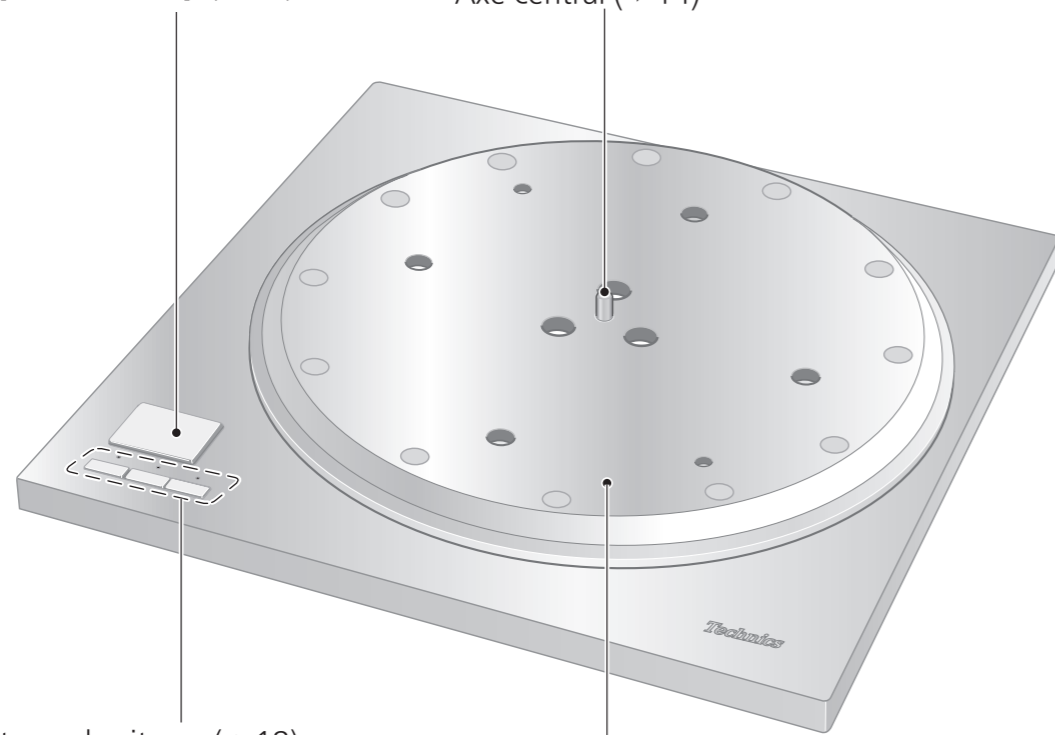
Unité principale (avant)

Touche de marche/arrêt de la rotation [START/STOP] (⇒ 18)

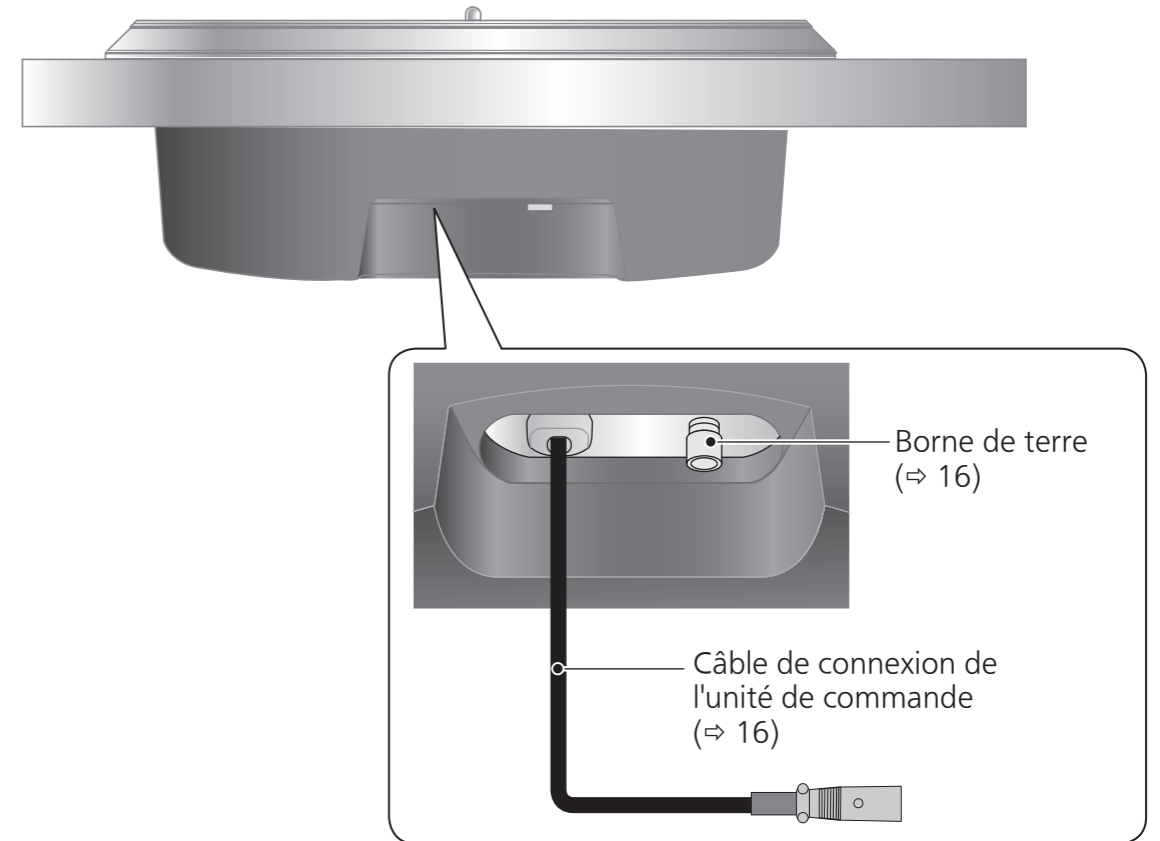
Axe central (⇒ 14)

Sélecteurs de vitesse (⇒ 18)

Plateau (⇒ 14)



Unité principale (arrière)



Borne de terre (⇒ 16)

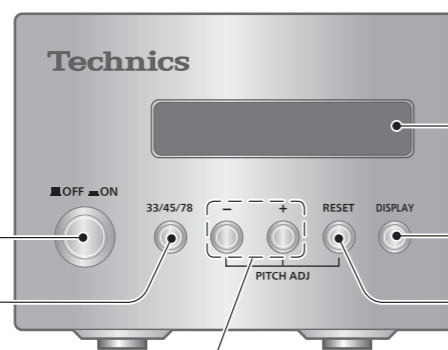
Câble de connexion de l'unité de commande (⇒ 16)

Unité de commande (avant)

Bouton d'alimentation (⇒ 18)

Bouton de sélection de vitesse de la platine 33/45/78 (⇒ 21)

Bouton +/- du réglage de hauteur (⇒ 20)



Affichage (⇒ 18 - 22)

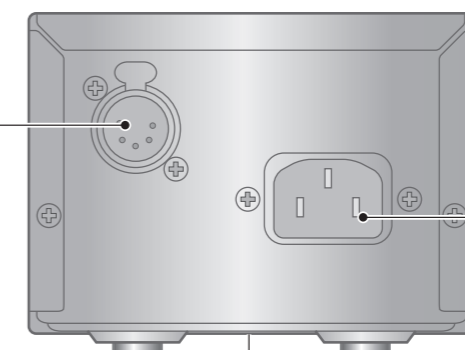
Bouton AFFICHAGE (⇒ 21)

Touche de RÉINITIALISATION (⇒ 20)

Unité de commande (arrière)

Borne pour la connexion avec l'unité principale (⇒ 16)

CA (~) borne d'entrée (⇒ 16)



Plaque signalétique

● Le numéro de produit est indiqué sur la plaque signalétique.

Déballage et préparation

Remarques pour sortir les marchandises de la boîte d'emballage et les transporter

Attention

- Soyez toujours au moins deux personnes pour sortir et transporter l'unité principale.
- Veillez à ne pas perdre l'équilibre si vous soulevez l'appareil avec vos mains à une position non optimale.
 - Vous pourriez vous faire mal au dos.
 - Vous pourriez perdre l'équilibre dans les escaliers ou autre, ce qui pourrait entraîner des blessures.
- Veillez à ne pas vous coincer les doigts lorsque vous sortez l'unité principale.
- Veillez à ne pas vous coincer les doigts dans l'espace entre le bas de l'unité principale et le sol.
- Conservez les matériaux d'emballage après avoir sorti les marchandises.
- Sortez les marchandises après avoir décidé de l'emplacement d'installation.
- Pour les remarques concernant l'installation, voir « Installation » (→17).

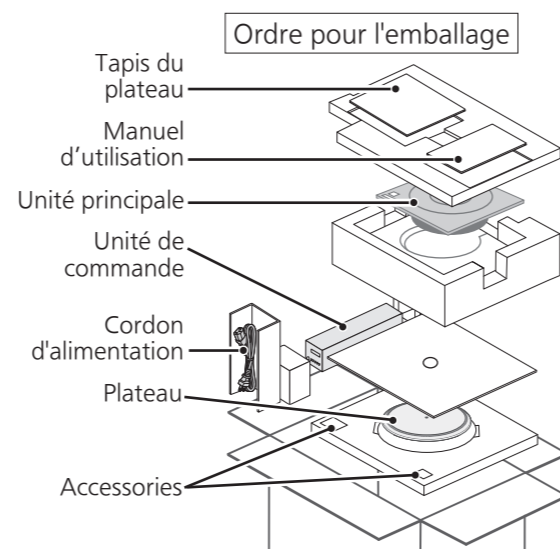
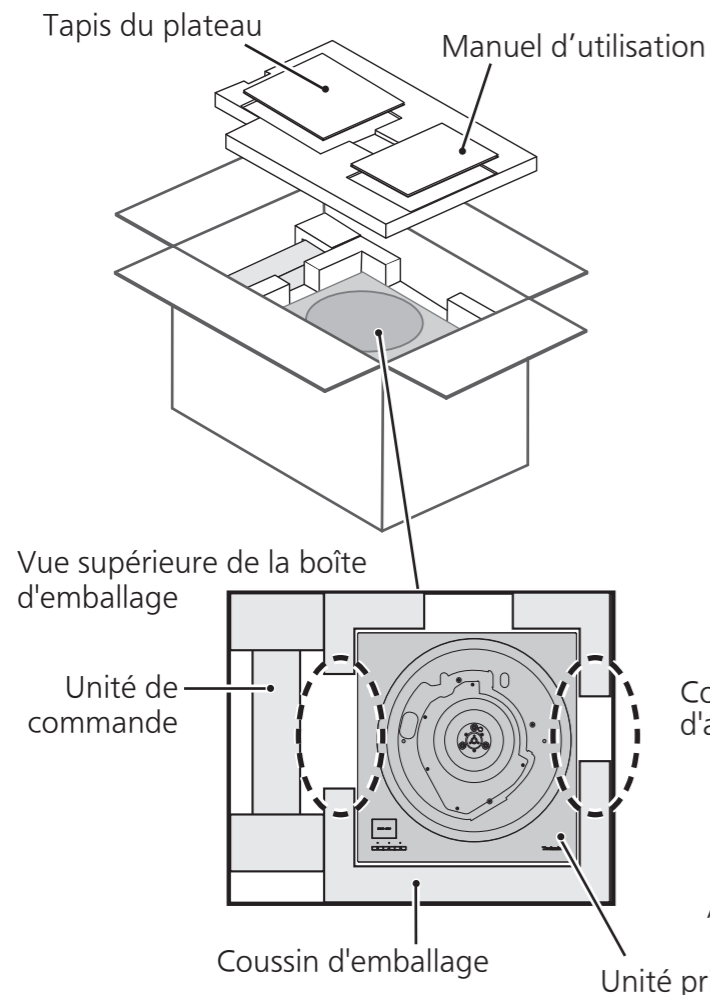
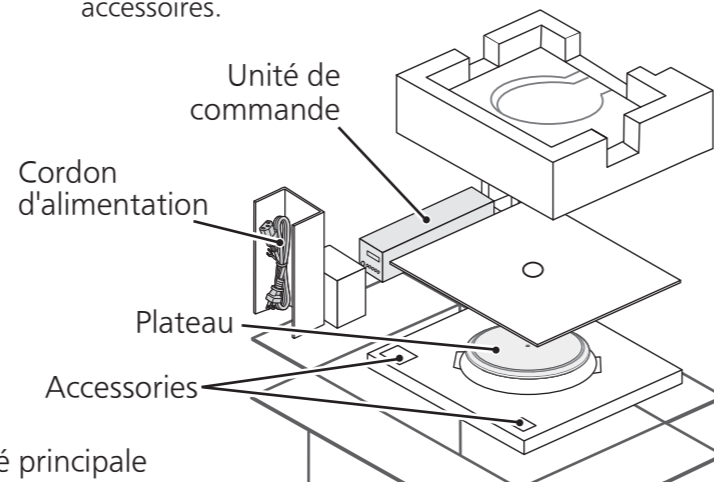
- ① Retirez la feuille de protection de la platine et les instructions d'utilisation.
- Tenez les accessoires hors de portée des enfants.
 - L'unité principale et l'unité de commande sont enveloppées dans des feuilles de protection.

- ② Placez vos mains entre les coussins d'emballage (① zone en pointillés de la vue supérieure de la boîte) et soulevez lentement l'unité principale pour la retirer. Soyez toujours au moins deux personnes pour effectuer cette tâche.
- Soyez très prudent lorsque vous soulevez l'unité principale.
 - Tenez l'unité principale par le bas pour l'empêcher de glisser de vos mains.
 - Effectuez la tâche avec les deux mains pour ne pas perdre l'équilibre.



Image de la tâche de levage

- ③ Retirez l'unité de commande, le cordon d'alimentation secteur, la platine et les autres accessoires.



Assemblage du tourne-disque

Avant de connecter le lecteur (concernant le meuble et le bras de lecture)

■ En ce qui concerne le meuble de rangement

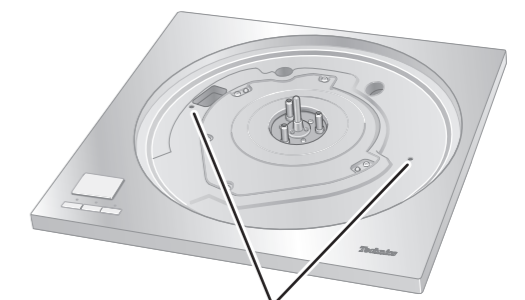
- Ce lecteur conserve la forme inférieure et les emplacements des vis des modèles SP-10MK2 et SP-10MK3 afin que vous puissiez continuer à utiliser votre meuble de rangement et votre bras de lecture pour un système utilisant le SP-10MK2 ou le SP-10MK3.
- Ce lecteur est un modèle avec un grand couple de démarrage. Pour utiliser pleinement ses caractéristiques et ses performances, utilisez un meuble de rangement lourd dans un matériau épais.
- Lorsque vous choisissez un meuble, déterminez ses dimensions extérieures en fonction de la longueur effective de votre bras de lecture.
- Utilisez des isolateurs solides et robustes pour soutenir le meuble.
- Dimensions de montage du lecteur (→26)

■ En ce qui concerne le montage du bras de lecture

- Utilisez la base du bras de lecture vendue séparément. Pour plus de détails concernant par exemple la méthode de montage, suivez les instructions d'utilisation de la base du bras de lecture et la notice du bras de lecture.

Montage sur le meuble

- 1 Serrez les vis de la poignée détachable dans les trous de montage de la poignée détachable (deux emplacements) sur l'unité principale.**
- 2 Soulevez lentement l'unité principale et placez-la sur le meuble.**
- 3 Fixez l'unité principale sur le meuble avec les vis.**
 - Effectuez le montage en suivant les instructions d'utilisation du meuble.



Trou de montage de la poignée détachable

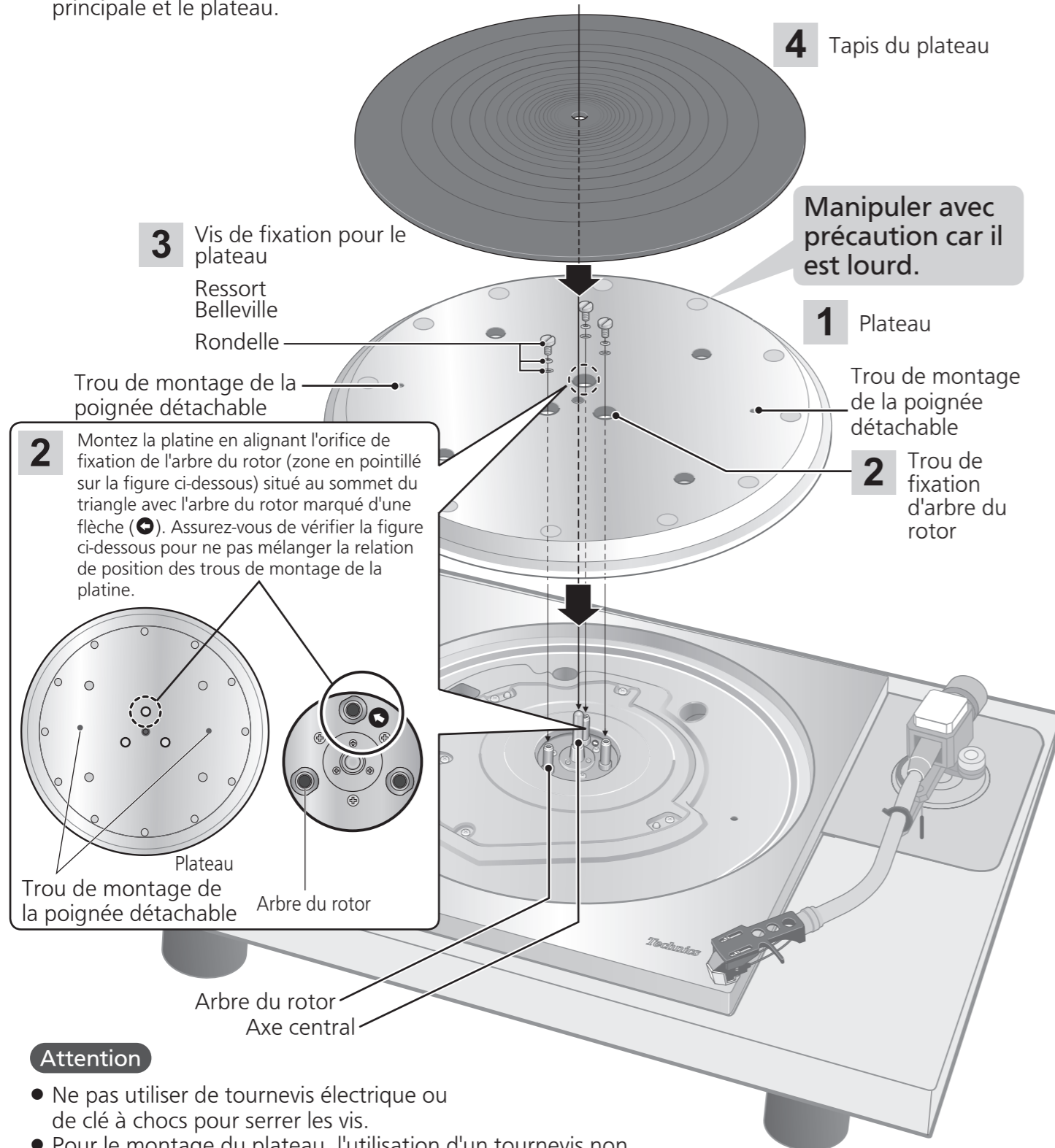


Assemblage du tourne-disque (suite)

Dans le but de prévenir tout risque de dommages pendant l'expédition, le tourne-disque a été démonté. Assembler le tourne-disque dans l'ordre suivant.

Attention

- Ne pas brancher le cordon d'alimentation avant d'avoir terminé l'assemblage.
- Lors du montage du plateau, empêcher tout matériau étranger de pénétrer entre l'unité principale et le plateau.

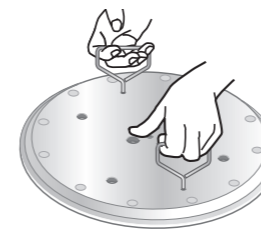


Attention

- Ne pas utiliser de tournevis électrique ou de clé à chocs pour serrer les vis.
- Pour le montage du plateau, l'utilisation d'un tournevis non adapté aux vis risque d'endommager l'unité principale.

Montage du plateau

1



Serrez les vis de la poignée détachable dans les trous de montage de la poignée détachable (deux emplacements)

sur la platine. Soulevez lentement la platine, puis abaissez-la de manière à insérer la broche centrale dans le trou au centre de la platine.

Attention

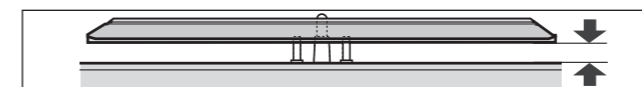
- Serrez la poignée détachable en la tournant au moins 5 fois. Si vous l'avez serrée jusqu'au bout, desserrez-la un peu. Ne la serrez pas fermement.
- Soyez prudent lorsque vous manipulez le plateau, car il est lourd.
- Essuyer les traces de doigts ou la poussière avec un chiffon doux.

2 Abaisser lentement le plateau tout en alignant les orifices de fixation d'arbre du rotor (trois emplacements) avec les arbres du rotor.

- Montez en utilisant l'arbre du rotor avec la flèche comme guide. (⇒ 14)

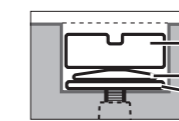
Attention

- Si les arbres du rotor sont mal alignés, il subsiste un écart entre le plateau et le tourne-disque et vous ne pouvez pas monter le plateau correctement. Ne pas forcer le plateau vers le bas.



3

Fixez les rondelles, les ressorts Belleville et les vis du plateau dans les trous de fixation d'arbre du rotor, et serrez fermement les vis de montage.



Vis de fixation pour le plateau
Ressort Belleville
Rondelle

Attention

- Lors du serrage des vis, ne pas laisser les têtes de vis dépasser de la surface supérieure du plateau.
- Serrez les trois vis uniformément. Si vous ne respectez pas cette consigne, la platine peut vibrer ou tourner de façon instable. Assurez-vous qu'aucune des vis n'est desserrée.

To remove the turntable

- ① Desserrer les vis de montage du plateau et les retirer.
- Conservez précieusement les vis, les ressorts Belleville, et les rondelles.
- ② Serrez les vis de la poignée détachable dans les trous de montage de la poignée détachable (deux emplacements) sur la platine et soulevez lentement la platine vers le haut.

Mise en place du tapis du plateau

4 Déposer le tapis du plateau sur le plateau.

Raccordements et installation

- Mettre tous les appareils hors marche et débrancher le cordon d'alimentation de la prise avant d'effectuer tout branchement.
- Ne brancher les cordons d'alimentation qu'après avoir terminé tous les autres raccordements.
- Se reporter également au mode d'emploi de l'appareil connecté.

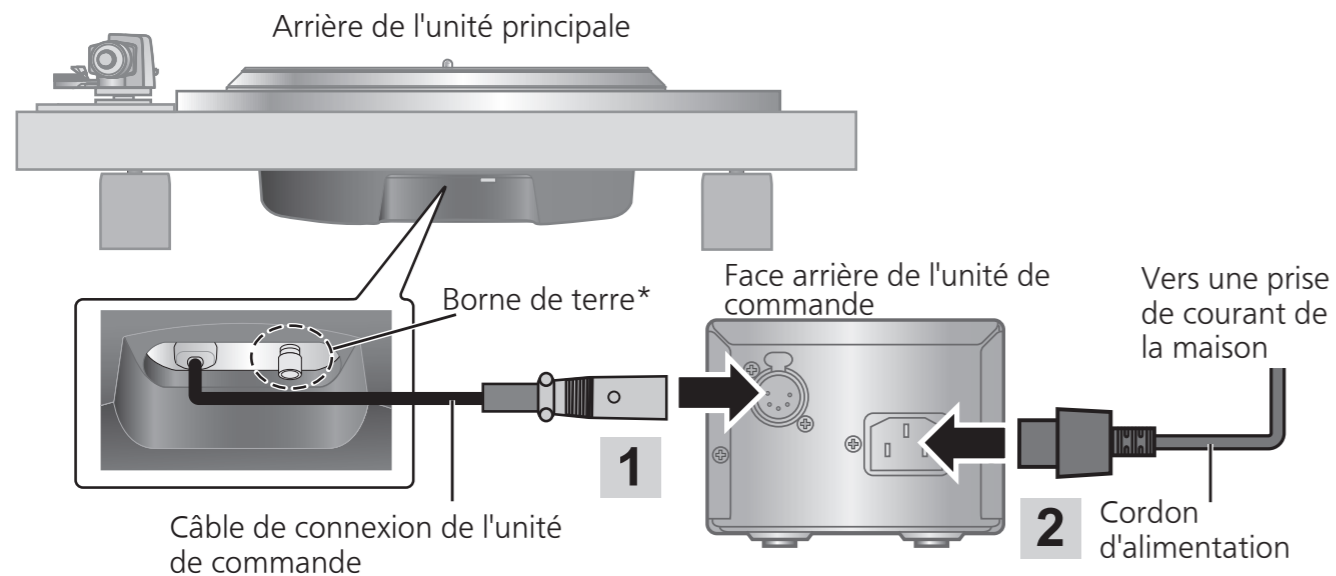
Connexion de l'unité de commande / Connexion de la prise d'alimentation et de la prise de terre

1 Connectez le câble de connexion de l'unité de commande en l'insérant jusqu'à ce qu'il s'enclenche.

2 Branchez le cordon d'alimentation CA.

3 Connectez la fiche d'alimentation et la terre.

- Vérifier le courant minimal de la prise d'alimentation de l'équipement connecté avant d'y brancher cet appareil. (Ce tourne-disque consomme 10 W.)



*Si nécessaire, connectez la borne de terre de l'unité principale à celle de l'amplificateur en utilisant un câble de terre disponible dans le commerce.

Nota

- Bien que l'interrupteur d'alimentation soit en position « OFF », le tourne-disque n'est pas complètement déconnecté du secteur. Retirer la fiche de la prise secteur si le tourne-disque n'est pas utilisé pendant une période de temps prolongée. Installer le tourne-disque de manière que la prise puisse être facilement retirée.

Installation

■ Remarques pour l'installation

- Soyez toujours aux moins deux personnes pour installer ou déplacer l'unité.
- Avant de déplacer le tourne-disque, retirer tous les périphériques connectés et couper l'alimentation. Déplacer l'unité avec l'unité de commande connectée peut la faire tomber et provoquer des blessures.
- Protéger l'appareil contre les rayons directs du soleil, la poussière, l'humidité et les sources de chaleur.
- Il est possible que l'appareil capte les interférences d'une radio, s'il y en a une à proximité. Éloigner le plus possible le tourne-disque d'une radio.
- Ne pas installer le tourne-disque sur une source de chaleur.
- Éviter tout endroit présentant de grandes variations de température.
- Éviter tout endroit présentant fréquemment de la condensation.
- Si des mesures anti-basculement sont nécessaires, consultez un professionnel. La résistance du sol et des murs doit être vérifiée.
- Éviter tout endroit instable.
- Assurez-vous que l'emplacement de l'installation est suffisamment solide pour supporter le poids total de l'unité et du système.
- Ne pas placer d'objet sur le tourne-disque.
- Ne pas installer le tourne-disque dans un espace confiné tel qu'une étagère.
- Installer le tourne-disque dans un emplacement suffisamment éloigné des murs ou d'autres dispositifs pour assurer un rayonnement thermique efficace de l'intérieur de l'appareil.
- Ne tirez pas l'unité avec force après l'installation. Cela pourrait endommager l'isolateur ou la surface du sol.
- Noter que le tourne-disque peut être endommagé par la fumée de cigarette ou l'humidité d'un humidificateur à ultrasons.

■ Condensation

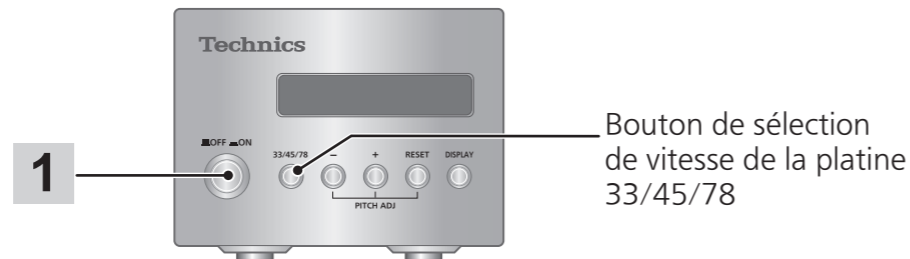
Penser à l'exemple d'une bouteille froide sortie d'un réfrigérateur. Si elle est laissée dans une pièce pendant un certain temps, de la condensation se forme sur la surface de la bouteille. Ce phénomène est appelé « condensation ».

- Conditions provoquant de la condensation
 - ◇ Changement rapide de température (provoqué par un déplacement d'un endroit chaud à un endroit froid ou vice versa, par un refroidissement ou un chauffage rapide, ou une exposition directe à l'air froid)
 - ◇ Une forte humidité dans une pièce avec beaucoup de vapeur, etc.
 - ◇ Saison des pluies
- La condensation peut endommager le tourne-disque. Si cela se produit, mettre le tourne-disque hors marche et attendre qu'il s'adapte à la température ambiante (environ 2 à 3 heures).

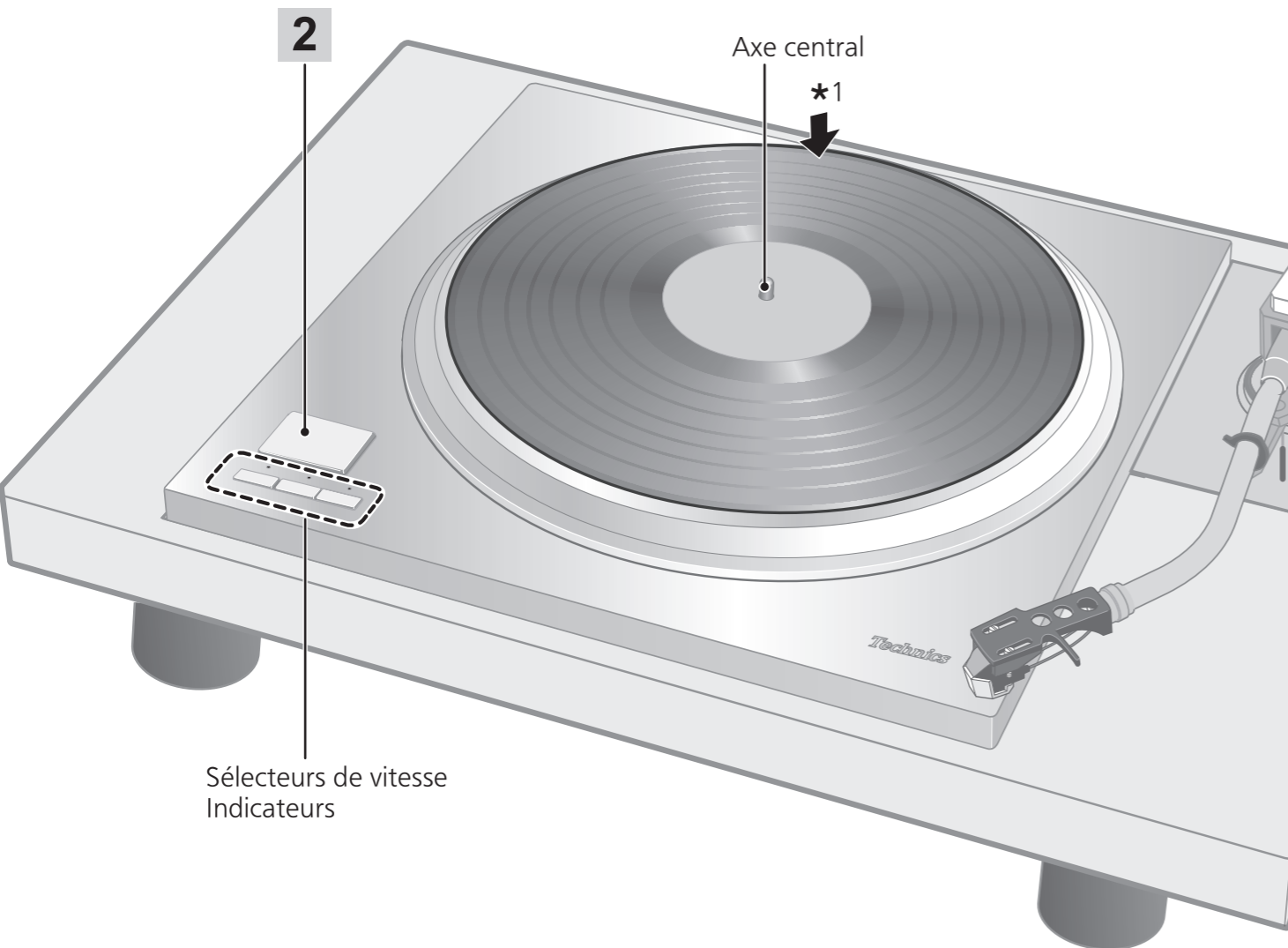
Lecture de disques

Préparatifs

★1 Mettre un disque (non inclus) en place sur le plateau.



Bouton de sélection de vitesse de la platine 33/45/78



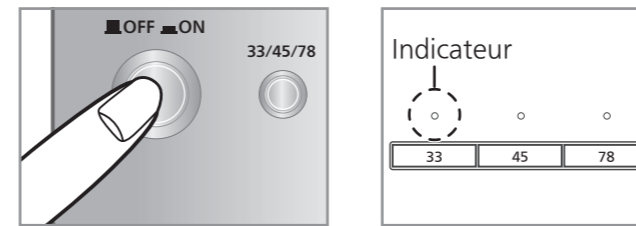
Sélecteurs de vitesse Indicateurs

Attention

N'appuyez pas sur [START-STOP] lorsque le plateau est retiré.

1 Appuyez sur le bouton d'alimentation de l'unité de commande pour l'allumer.

- La vitesse est automatiquement réglée sur 33^{1/3} tours, l'indicateur [33] s'allume sur l'unité principale et la vitesse de la platine, [33,33], apparaît sur l'affichage de l'unité de commande.



2 Appuyer sur [START-STOP]. La rotation du plateau s'amorce.

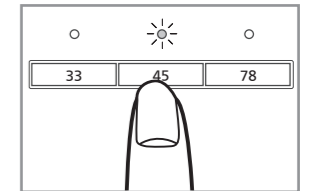


■ Après la fin de la lecture

- ① Lever le levier de positionnement du bras, ramener le bras de lecture sur le reposoir et abaisser le levier de positionnement du bras.
- ② Appuyer sur [start-stop]. Le frein électrique arrête la rotation du plateau en douceur.
- ③ Appuyez sur le bouton d'alimentation de l'unité de commande pour l'éteindre.
- ④ Fixer le bras de lecture avec l'agrafe du bras.
- ⑤ Remettre le couvercle de la pointe de lecture (pour protéger l'extrémité de la pointe de lecture).

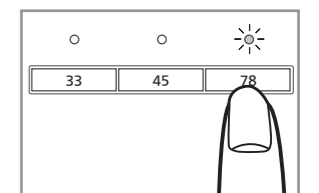
■ Lors de la lecture de 45 tours prolongé

- Appuyer sur le bouton de sélection de vitesse [45] ([45] s'allume).
- Monter l'adaptateur pour 45 tours prolongé sur l'axe central.



■ Lors de la lecture de 78 tours

- Appuyer en même temps sur les touches de sélection de vitesse [78] ([78] s'allument).

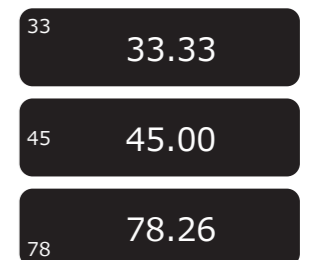


■ Lors de l'utilisation d'un stabilisateur de disque (non inclus)

- Consulter le manuel d'instruction du stabilisateur de disque.
- Poids maximum : 1 kg

Nota

- Appuyer sur [33/45/78] sur l'unité de commande peut également modifier la vitesse de la platine. (→21)



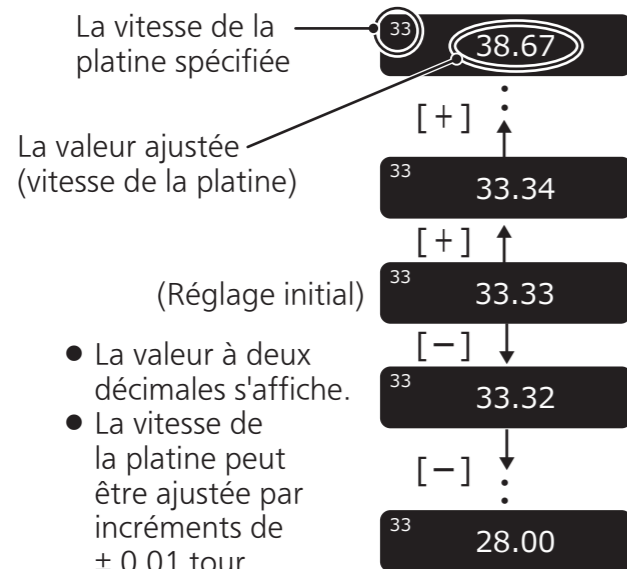
Commande de hauteur tonale (réglage précis de la vitesse de rotation)

1 Appuyez sur [-] ou [+] sur l'unité de commande pour effectuer le réglage.

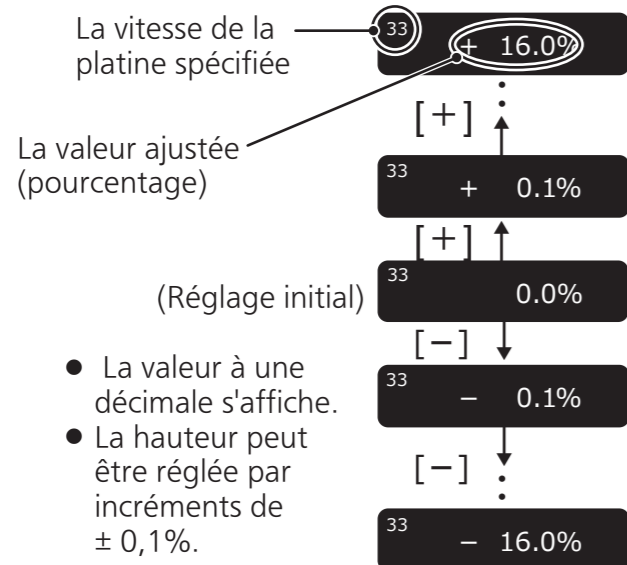
- La hauteur peut être réglée dans une plage d'environ $\pm 16\%$ de la vitesse actuelle de la platine [33/45/78].
- La valeur de réglage actuelle apparaît sur l'affichage de l'unité de commande. L'affichage diffère en fonction du mode d'affichage. (Commutation du mode d'affichage \Rightarrow 21)
- La vitesse de la platine change à chaque fois que la hauteur est réglée pendant que la platine tourne.

- Appuyer sur le bouton augmente ou diminue la valeur.
- Maintenir le bouton enfoncé accélère l'augmentation ou la diminution.

■ Lorsque le mode d'affichage est « Réglage de la vitesse de la platine »



■ Lorsque le mode d'affichage est « Réglage de la hauteur »



■ Pour revenir à la vitesse de la platine prescrite

Appuyez sur [RESET] sur l'unité de commande. La valeur revient immédiatement à la vitesse de la platine prescrite. (33^{1/3}, 45 ou 78,26 rpm)
 *L'affichage de l'unité de commande indique le réglage prescrit.
 La vitesse de la platine devient la vitesse de la platine prescrite dans le mode de réglage de la vitesse de la platine et 0,0% dans le mode de réglage de la hauteur.

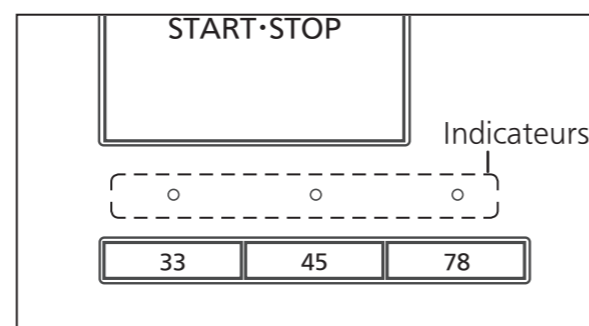
(Mode d'affichage : Réglage de la vitesse de la platine)



(Mode d'affichage : Réglage de la hauteur)



■ Indicateurs du sélecteur de vitesse de l'unité principale pendant le contrôle de la hauteur



- DEL bleue allumée : Sans contrôle de hauteur (0,0%)
- DEL orange allumée : Pendant le contrôle de la hauteur

Nota

- La hauteur peut être réglée pour chaque vitesse de la platine.
- La mise hors tension du bouton d'alimentation annule le réglage de commande de la hauteur. Si vous activez à nouveau le bouton d'alimentation, la valeur revient au réglage initial.

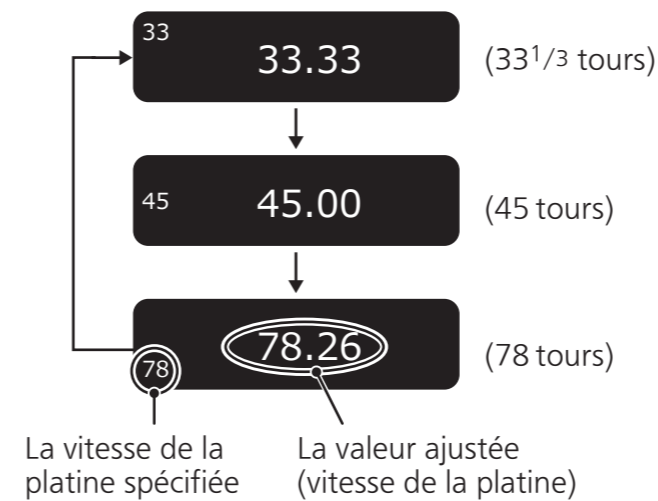
Fonctionnement et affichage de l'unité de commande

Réglage de la vitesse de la platine

1 Appuyez sur [33/45/78] sur l'unité de commande.

À chaque fois que vous appuyez sur [33/45/78], la vitesse de la platine change dans l'ordre suivant « 33 » → « 45 » → « 78 » → « 33 » → ...

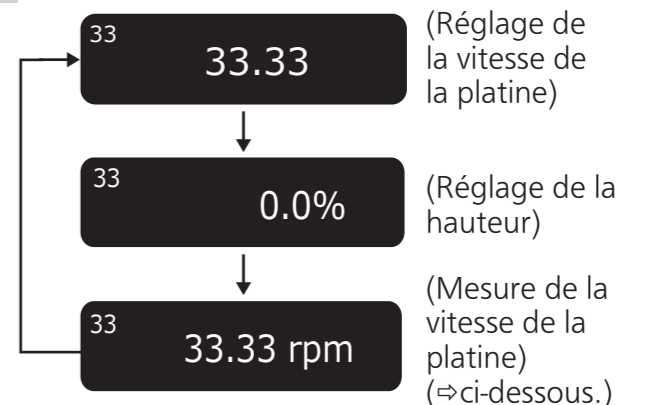
- La vitesse de la platine change à chaque fois que la hauteur est réglée pendant que la platine tourne.



Commutation du mode d'affichage

1 Appuyez sur [DISPLAY] sur l'unité de commande.

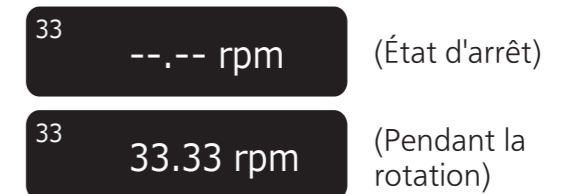
À chaque fois que vous appuyez sur [DISPLAY], le mode d'affichage change dans l'ordre suivant « Réglage de la vitesse de la platine » → « Réglage de la hauteur » → « Mesure de la vitesse de la platine » → « Réglage de la vitesse de la platine » → ...



Mesure de la vitesse de la platine

La vitesse actuelle de la platine peut être mesurée dans ce mode d'affichage. Changez le mode d'affichage (voir ci-dessus) pour entrer dans ce mode.

- « rpm » apparaît après la valeur numérique.
- « --.-- rpm » apparaît lorsque la platine est arrêtée.



■ Fonctionnement pendant la « Mesure de la vitesse de la platine »

Utiliser les touches comme ci-dessous change le mode d'affichage sur « Réglage de la vitesse de la platine », vous permettant d'effectuer le réglage.

*Le mode d'affichage revient à « Mesure de la vitesse de la platine » si aucune opération n'est effectuée dans les trois secondes.

- [-]/[+]: La hauteur peut être réglée. (\Rightarrow 20)
- [RESET]: La valeur revient immédiatement à la vitesse de la platine prescrite.
- [33/45/78]: La vitesse de la platine change à chaque fois que vous appuyez sur le bouton.

Nota

- Une valeur moyenne s'affiche.

Fonctionnement et affichage de l'unité de commande (suite)

Réglage du variateur d'affichage

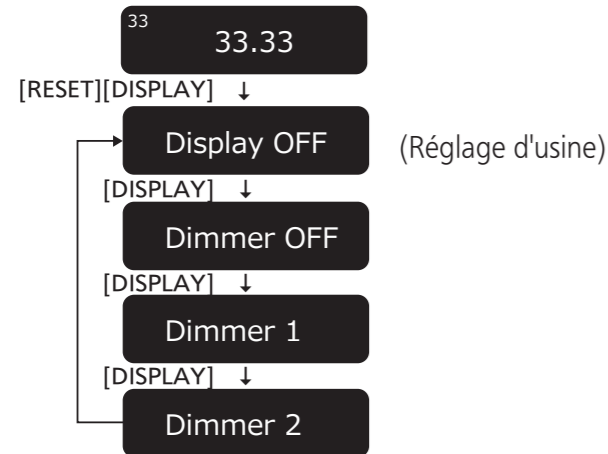
Le variateur d'affichage est activé si l'unité de commande n'est pas utilisée pendant 20 secondes. Il y a quatre modèles de gradation.

1 Sur l'unité de commande, maintenez [RESET] enfoncé et appuyez sur [DISPLAY].

- Le réglage du variateur s'affiche.

2 Appuyez sur [DISPLAY] sur l'unité de commande.

- Le réglage change à chaque fois que vous appuyez sur [DISPLAY]. (⇒ ci-dessous.)
- L'affichage revient à l'affichage d'origine si aucune opération n'est effectuée dans les trois secondes.



Affichage	Affichez le variateur lorsqu'aucune opération n'est effectuée pendant 20 secondes
Display OFF	La luminosité est réduite d'un niveau. ⇒ (Aucune opération pendant cinq secondes supplémentaires) ⇒ La luminosité est réduite de deux niveaux. ⇒ (Aucune opération pendant cinq secondes supplémentaires) ⇒ Arrêt
Dimmer OFF	Aucune variation (Toujours activé)
Dimmer 1	La luminosité est réduite d'un niveau.
Dimmer 2	La luminosité est réduite de deux niveaux.

- Après le réglage, la luminosité est immédiatement réglée à la valeur définie. L'affichage est immédiatement désactivé si « Display OFF » est sélectionné.
- L'utilisation d'un bouton (n'importe quel bouton autre que le bouton d'alimentation) sur l'unité de commande pendant que le variateur est actif ramène l'affichage à la luminosité maximale.

Nota

- Le réglage est sauvegardé. Lorsque l'appareil est mis sous tension la prochaine fois, le réglage actif quand l'alimentation a été coupée en dernier sera rétabli.

Réglage du couple pour faire tourner la platine à une vitesse constante

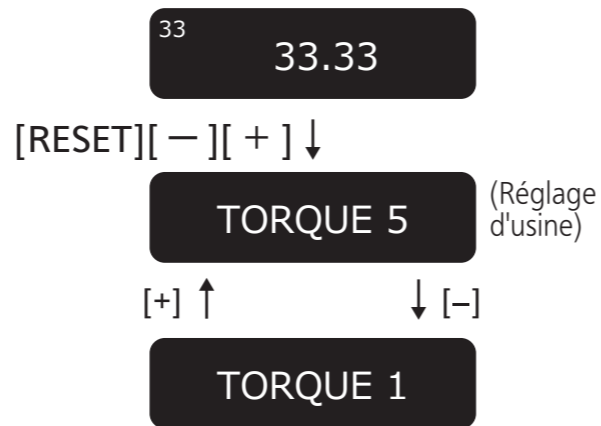
Appuyez sur [START•STOP] puis réglez le couple (force de rotation) sur cinq niveaux pour faire tourner la platine à vitesse constante.

1 Sur l'unité de commande, maintenez [RESET] enfoncé et appuyez simultanément sur [-] et [+].

- Le réglage du couple s'affiche.

2 Appuyez sur [-] ou [+] sur l'unité de commande pour effectuer le réglage.

- Sélectionnez l'un des cinq niveaux de « TORQUE1 » à « TORQUE5 ». Appuyer sur le bouton augmente ou diminue la valeur.
- Reportez-vous au tableau ci-dessous comme guide.
- L'affichage revient à l'affichage d'origine si aucune opération n'est effectuée dans les trois secondes.



Affichage	Couple pour tourner à une vitesse constante
TORQUE5	Maximum (Réglage d'usine)
TORQUE4	↑ ↓
TORQUE3	
TORQUE2	
TORQUE1	Minimum

Nota

- Le réglage est sauvegardé. Lorsque l'appareil est mis sous tension la prochaine fois, le réglage actif quand l'alimentation a été coupée en dernier sera rétabli.

Entretien

Nettoyage de l'unité principale

Essayez l'unité principale et les autres composants avec un chiffon doux et sec. Lorsque la saleté est tenace, essorer un chiffon humide pour enlever la saleté, puis essuyer avec un chiffon doux.

- Ne pas utiliser de solvants, benzène, diluant, alcool, détergent de cuisine, liquide d'essuie-glace, etc. Cela pourrait déformer le boîtier externe ou décoller le revêtement.

Transport du tourne-disque

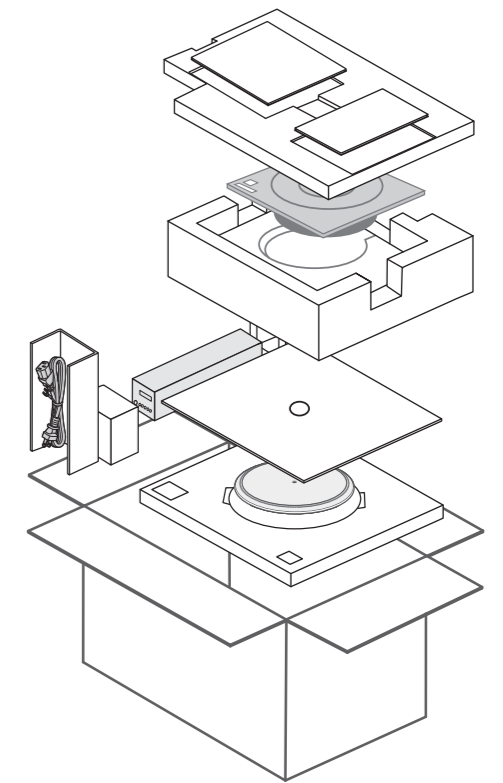
Remettre l'appareil dans son emballage d'origine. (⇒ 12)

Conserver les matériaux d'emballage après avoir sorti les marchandises.

Si l'emballage d'origine n'a pas été conservé, procéder comme suit :

- Retirer le plateau et le tapis, et bien les emballer.
- Envelopper l'unité principale dans une serviette ou du papier.

Reconditionnement



■ Symbole WEEE

Mise au rebut du produit en dehors des pays de l'UE

- Ce symbole est uniquement valable dans l'UE. Contacter un service gouvernemental local ou votre revendeur pour savoir comment mettre ce produit au rebut convenablement.

Guide de dépannage

Avant de faire appel au service, procédez aux vérifications ci-dessous. Si vous avez un doute concernant certains des points de vérification, ou si les solutions proposées dans le tableau ne résolvent pas le problème, communiquez avec votre revendeur.

Pas d'alimentation.

- Le cordon d'alimentation est-il branché?
→ Brancher le cordon en prenant soin d'introduire la fiche à fond dans la prise. (⇒ 16)
- L'unité de commande est-elle connectée à l'unité principale?
→ Insérez le câble de connexion de l'unité de commande jusqu'à ce qu'il s'enclenche. (⇒ 16)

Aucune indication sur l'affichage de l'unité de commande.

- La fiche d'alimentation est-elle connectée?
→ Insérez-la fermement. (⇒ 16)
- Le courant est-il allumé?
→ Appuyez sur le bouton d'alimentation pour activer l'alimentation. (⇒ 18)
- Le variateur d'affichage est-il activé?
→ Actionnez un bouton (n'importe quel bouton autre que le bouton d'alimentation) sur l'unité de commande. (⇒ 22)

■ Code d'erreur

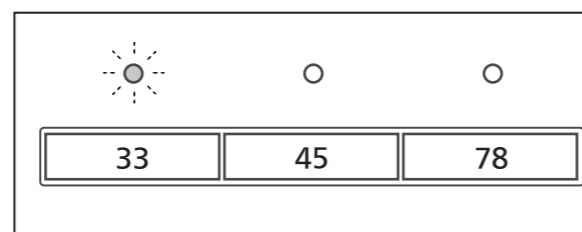
L'apparition d'une erreur sera notifiée si nécessaire sur l'affichage de l'unité de commande et avec les indicateurs du bouton de sélection de vitesse de l'unité principale.

Affichage de l'unité de commande	Mesure
Unconnected	Vérifiez que l'unité de commande est connectée à l'unité principale. (⇒ 16)
F58 F76 F17	Consultez votre revendeur. <ul style="list-style-type: none"> • L'un des indicateurs de sélecteur de vitesse [33/45/78] de l'unité principale clignote (rapidement ou lentement) en orange. • Indiquez le numéro affiché et l'état clignotant de la DEL au moment de la consultation.

(Exemple d'affichage de l'unité de commande en cas d'erreur)

Unconnected

(Exemple d'indicateurs de bouton de sélection de vitesse de l'unité principale en cas d'erreur) Clignote en orange.



Spécifications

Divers	
Alimentation	110-240 V c.a., 50/60 Hz
Consommation	10 W (EN MARCHE) 0,05 W (HORS MARCHE)
Dimensions (L×H×P)	<Unité de commande> 110×84×350 mm (4-11/32 × 3-5/16 × 13-25/32 po)
	<Unité principale> 365×109×365 mm (14-3/8 × 4-5/6 × 14-3/8 po)
Poids	<Unité de commande> Approx. 2.1 kg (4.7 lbs)
	<Unité principale> Approx. 18.2 kg (40.2 lbs)
Température de fonctionnement	0 °C à +40 °C (+32 °F à +104 °F)
Humidité relative	35 % à 80 % (sans condensation)

Section tourne-disque	
Méthode d'entraînement	Entraînement direct
Moteur	Moteur c.c. sans balais
Plateau	Laiton et aluminium moulé sous pression combinés Diamètre : 323 mm (12-23/32 po) Poids : Env. 7.9 kg (17.5 lb) (y compris une feuille de caoutchouc)
Vitesses de rotation	33-1/3, 45 et 78* rpm
Plage de hauteur tonale	± 16 %
Couple de démarrage	0,39 N·m (4,0 kg-cm) / 3,47 lb-po
Système de freinage	Frein électronique
Pleurage / scintillement	0,015 % eff. pondéré (JIS C5521)

Section de la borne	
Borne de sortie	Borne de terre

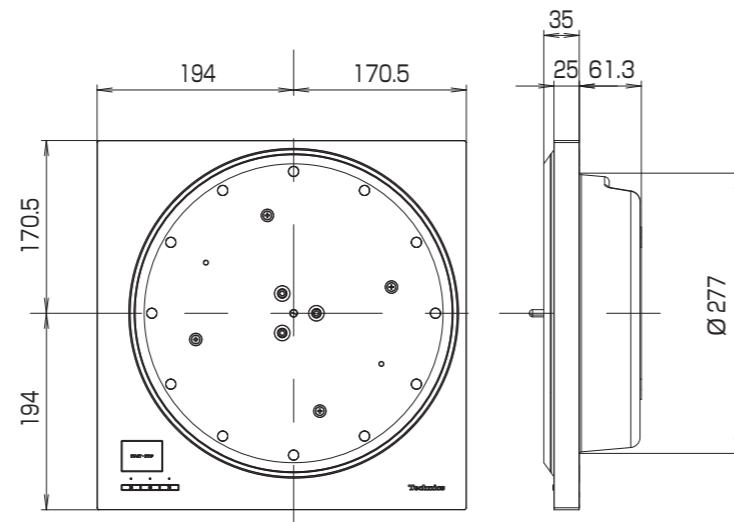
Sujet à changements sans préavis.

*La vitesse de la platine est de 78,26 rpm avec un régime de 78 rpm (contrôle de hauteur de 0,0%).

Dessins dimensionnels

■ Dimensions externes

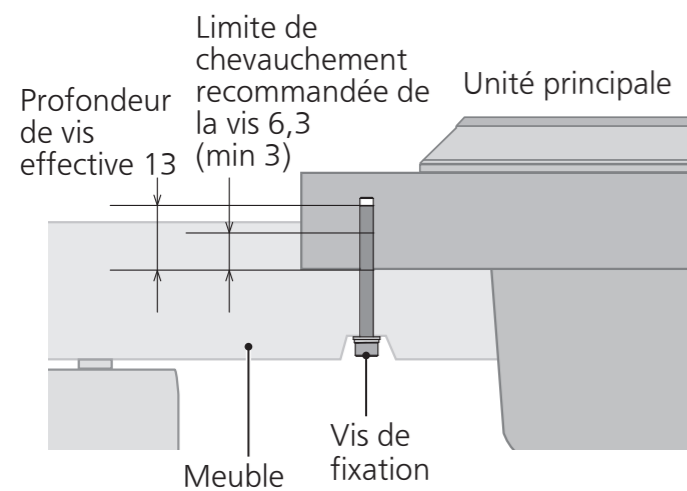
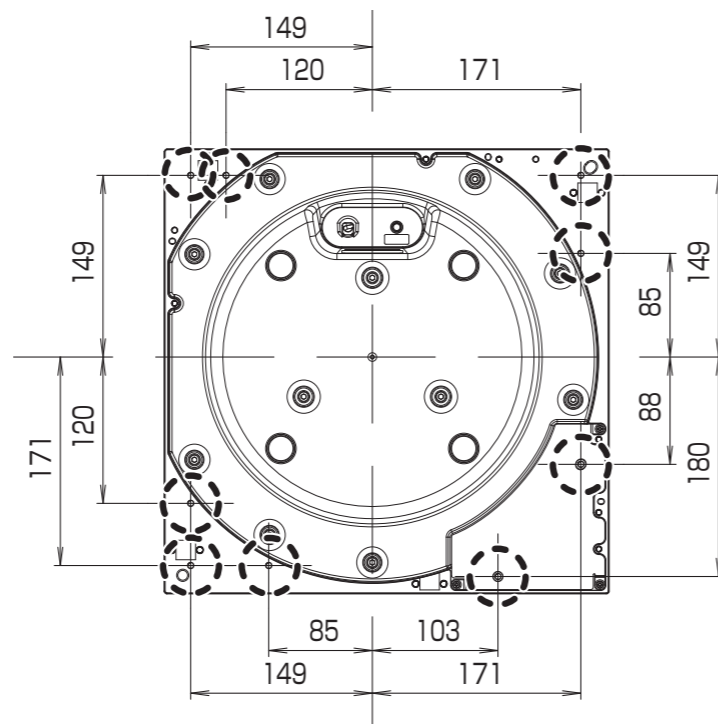
Choisissez un meuble qui correspond aux dimensions externes du lecteur.
<Unité : mm>



■ Emplacements des vis de fixation du meuble

Fixez le lecteur sur le meuble aux neuf positions (marquées par une ligne en pointillée) indiquées dans la figure de droite (la surface inférieure de l'unité principale). <Unité : mm>

- Vis de fixation : M5
Voir la vue en coupe ci-dessous pour sélectionner la longueur des vis de fixation.



Einleitung

Wir möchten Ihnen dafür danken, dass Sie sich für dieses Gerät entschieden haben. Bitte lesen Sie diese Anleitung sorgfältig durch, bevor Sie dieses Produkt verwenden, und bewahren Sie diese Anleitung für die spätere Verwendung an einem sicheren Ort auf.

- Über die Bezeichnungen in dieser Bedienungsanleitung
 - Die Seiten, die benannt werden, sind als „(⇒ 00)“ bezeichnet.
 - Die gezeigten Abbildungen können sich von Ihrem Gerät unterscheiden.

Besondere Merkmale

Hülsenloser Direktantriebsmotor für gleichmäßige und genaue Rotation

- Der neue hülsenlose Direktantriebsmotor kann kleinste Vibrationen während der Rotation verringern, indem er ein starkes Drehmoment für den Antrieb des hochklassigen Plattenspielers verwendet.
- Die hochpräzise Motorsteuerungstechnologie ändert den Antriebsmodus entsprechend dem Motorbetriebszustand, um eine hohe Rotationsgenauigkeit zu erreichen.

Dreischichtiger Plattenteller für stabile Rotation

- Die dreischichtige Plattentellerstruktur besteht aus Messing, Aluminiumdruckguss und Dämpfungsgummi, der gegen unerwünschte Resonanz schützt und an der Unterseite angebracht ist.
- Dichte Wolframingewichte befinden sich am äußeren Rand des Messingteils, um eine große Trägheitsmasse zu liefern.

Spezielles Steuergerät, das unerwünschte Störungen am Hauptgerät beseitigen kann

- Der Stromkreis und der Steuerkreis sind getrennt, um unerwünschte externe Störungen am Hauptgerät zu minimieren und in einem einzigen Steuergerät untergebracht.
- Das neue Schaltnetzteil mit einer Rauschunterdrückungsschaltung wurde entwickelt, um das Rauschen in der Spannungsversorgung zu reduzieren.

Kompatibilität mit SP-10MK2 und SP-10MK3

- Der Player behält die Bodenform und die Schraubenpositionen des SP-10MK2 und SP-10MK3 bei, sodass Sie Ihr Gehäuse und den Tonarm weiterhin verwenden können.

Inhaltsverzeichnis

● Vor der Verwendung		Vor der Verwendung
Sicherheitsvorkehrungen	06	
Zubehör	09	
Bezeichnung der Teile	10	
● Erste Schritte		Erste Schritte
Auspacken und Vorbereitung	12	
• Hinweise zum Herausnehmen der Ware aus der Verpackung und zum Transport..	12	
Zusammenbau des Plattenspielers	13	
• Vor dem Zusammenbau des Plattenspielers (bezüglich des Gehäuses und Tonarms)	13	
• Montage am Gehäuse	13	
• Anbringen des Plattentellers	15	
• Anbringen der Plattentellerauflage	15	
Anschlüsse und Aufstellung	16	
• Connexion de l'unité de commande / Connexion de la prise d'alimentation et de la prise de terre	16	
• Aufstellung	17	
● Wiedergabe		Wiedergabe
Abspielen von Schallplatten	18	
Drehzahlregler (Feineinstellung der Drehzahl)	20	
Bedienung und Anzeige des Steuergeräts	21	
• Plattentellergeschwindigkeits-Einstellung	21	
• Umschalten des Anzeigemodus	21	
• Plattentellergeschwindigkeits-Messung	21	
• Anzeigedimmer-Einstellung	22	
• Einstellung des Drehmoments, damit der Plattenteller mit einer konstanten Geschwindigkeit dreht	22	
● Pflege und Instandhaltung		Pflege und Instandhaltung
Pflege und Instandhaltung	23	
Liste von Fehlermöglichkeiten	24	
Technische Daten	25	
Maßzeichnungen	26	

Sicherheitsvorkehrungen

WARNUNG

Gerät

- Zur Reduzierung der Gefahr von Brand, elektrischem Schlag und Beschädigung:
 - Setzen Sie dieses Gerät weder Regen, noch Feuchtigkeit, Tropfen oder Spritzern aus.
 - Stellen Sie keine mit Flüssigkeiten gefüllten Gefäße, wie Vasen, auf dieses Gerät.
 - Ausschliesslich das empfohlene Zubehör verwenden.
 - Entfernen Sie die Abdeckungen nicht.
 - Reparieren Sie dieses Gerät nicht selbst. Wenden Sie sich zur Wartung an qualifiziertes Kundendienstpersonal.
 - Lassen Sie keine Gegenstände aus Metall in dieses Gerät fallen.
 - Stellen Sie keine schweren Gegenstände auf dieses Gerät.

Netzkabel

- Zur Reduzierung der Gefahr von Brand, elektrischem Schlag und Beschädigung:
 - Gewährleisten Sie, dass die Spannung der Stromversorgung dem auf diesem Gerät angegebenen Wert entspricht.
 - Fügen Sie den Netzstecker vollständig in die Steckdose ein.
 - Ziehen Sie nicht an der Leitung, knicken Sie sie nicht und stellen Sie keine schweren Gegenstände darauf.
 - Fassen Sie den Stecker nicht mit nassen Händen an.
 - Fassen Sie den Stecker beim Herausziehen an seinem Korpus an.
 - Verwenden Sie keinen Netzstecker und keine Steckdose, die beschädigt sind.
- Der Netzstecker ist das trennende Gerät. Installieren Sie dieses Gerät so, dass der Netzstecker sofort aus der Wandsteckdose gezogen werden kann.
- Vergewissern Sie sich, dass der Nullleiter des Netzsteckers ordnungsgemäß geerdet ist, um einen Stromschlag zu vermeiden.
 - Eine Vorrichtung der Schutzklasse I ist für die Steckdose zur Verfügung zu stellen, um eine ordnungsgemäße Schutzerdung zu gewährleisten.

ACHTUNG

Gerät

- Stellen Sie keine Quellen offener Flammen, z.B. brennende Kerzen, auf das Gerät.
- Dieses Gerät kann beim Betrieb Hochfrequenzstörungen auffangen, die durch die Benutzung von Mobiltelefonen verursacht werden. Sollte eine solche Störung festgestellt werden, sollte das Handy in größerer Entfernung zu diesem Gerät betrieben werden.
- Dieses Gerät ist für den Betrieb in Ländern mit tropischem Klima bestimmt.
- Stellen Sie keine Gegenstände auf dieses Gerät. Dieses Gerät wird heiß, wenn es eingeschaltet ist.
- Es werden zwei oder mehr Personen benötigt, um das Hauptgerät auszupacken und zu transportieren.
- Achten Sie beim Zusammenbau des Plattenspielers darauf, dass Ihre Hände und/oder Finger nicht im Plattenteller gequetscht werden.

Aufstellung

- Stellen Sie dieses Gerät auf eine ebene Oberfläche.
- Zur Reduzierung der Gefahr von Brand, elektrischem Schlag und Beschädigung:
 - Installieren oder positionieren Sie dieses Gerät nicht in einem Bücherregal, Einbauschränk oder einem sonstigen engen Raum. Stellen Sie eine gute Belüftung des Gerätes sicher.
 - Achten Sie darauf, die Entlüftungsschlitze des Gerätes nicht durch Gegenstände aus Papier oder Stoff zu blockieren, z.B. Zeitungen, Tischdecken und Vorhänge.
 - Setzen Sie dieses Gerät keinem direkten Sonnenlicht, hohen Temperaturen, starker Feuchtigkeit und übermäßigen Erschütterungen aus.
- Achten Sie darauf, dass der Aufstellungsort stabil genug ist, um das Gewicht dieses Geräts zu tragen (⇒ 25).
- Heben oder tragen Sie dieses Gerät nicht, indem Sie es an einem seiner Knöpfe festhalten. Dies kann dazu führen, dass dieses Gerät herunterfällt, was Verletzungen oder Fehlfunktionen dieses Geräts zur Folge haben kann.



Entsorgung von Altgeräten

Nur für die Europäische Union und Länder mit Recyclingsystemen

Dieses Symbol, auf den Produkten, der Verpackung und/oder den Begleitdokumenten, bedeutet, dass gebrauchte elektrische und elektronische Produkte nicht in den allgemeinen Hausmüll gegeben werden dürfen.

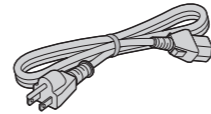
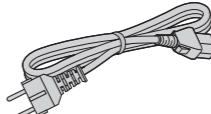
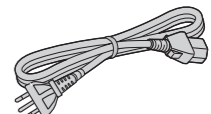
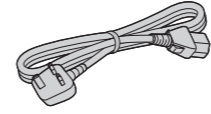
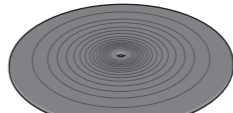


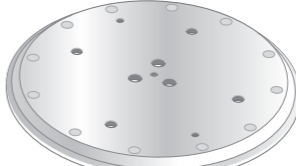
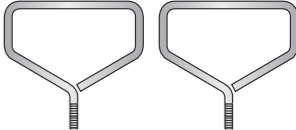
Bitte führen Sie alte Produkte zur Behandlung, Aufarbeitung bzw. zum Recycling gemäß den gesetzlichen Bestimmungen den zuständigen Sammelpunkten zu.

Indem Sie diese Produkte ordnungsgemäß entsorgen, helfen Sie dabei, wertvolle Ressourcen zu schützen und eventuelle negative Auswirkungen auf die menschliche Gesundheit und die Umwelt zu vermeiden.

Für mehr Informationen zu Sammlung und Recycling, wenden Sie sich bitte an Ihren örtlichen Abfallentsorgungsdienstleister. Gemäß Landesvorschriften können wegen nicht ordnungsgemäßer Entsorgung dieses Abfalls Strafgelder verhängt werden.

Zubehör

Zur Verhinderung von Beschädigung während des Transports wurde das Gerät vor der Auslieferung aus dem Herstellerwerk teilweise zerlegt. Überprüfen Sie bitte das mitgelieferte Zubehör auf Vollständigkeit.

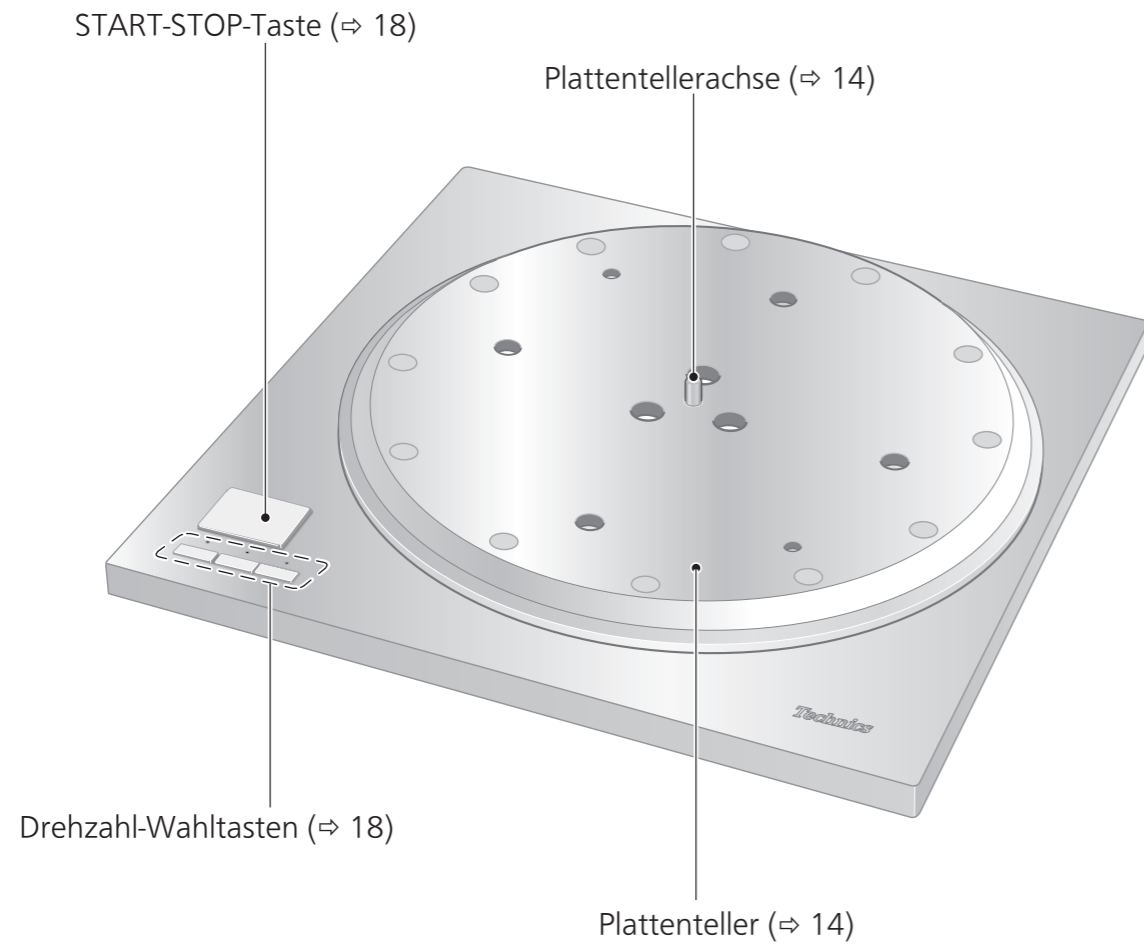
<p>Netzkabel (1 Stck.) (K2CG3YY00191)</p> 	<p>Netzkabel (1 Stck.) (K2CM3YY00041)</p> 	<p>Netzkabel (1 Stck.) (K2CS3YY00033)</p> 
<p>Netzkabel (1 Stck.) (K2CT3YY00081)</p> 	<p>Plattentellerauflage (1 Stck.) (RGS0008)</p> 	<p>45-U/min-Adapter (1 Stck.) (TEKX077)</p> 
<p>Plattenteller- Befestigungsschraubensatz (1 Stck.) (TYL0194)</p> <ul style="list-style-type: none"> ● Schrauben, lang (3 Stck.) ● Unterlegscheiben (3 Stck.) ● Tellerfedern (3 Stck.) 	<p>Plattenteller (1 Stck.) (TYL0195)</p> 	<p>Abnehmbarer Griff (2 Stck.) (TXQ0020)</p> 

- Die Teilenummern des Zubehörs sind mit Stand von Februar 2018 angegeben. Änderungen jederzeit ohne Vorankündigung vorbehalten.
- Bewahren Sie das Verpackungsmaterial nach Herausnehmen der Ware auf. Sie benötigen es, wenn Sie das Produkt für eine längere Strecke transportieren.
- Befolgen Sie bei der Entsorgung des Produktes die örtlichen Vorschriften.
- Verwenden Sie kein anderes AC-Netzkabel, als das mitgelieferte.
- Bewahren Sie das Zusatz-Gegengewicht, Schrauben und Unterlegscheiben außerhalb der Reichweite von Kindern auf, um ein Verschlucken zu vermeiden.

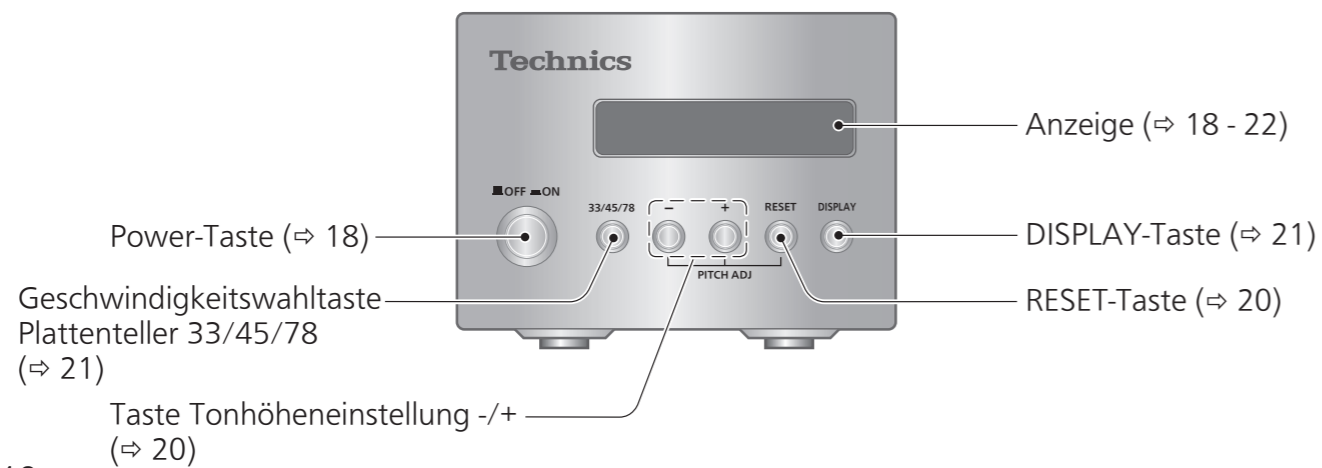
Bezeichnung der Teile

Die Zahlen wie zum Beispiel (⇒ 00) bezeichnen die Referenzseiten.

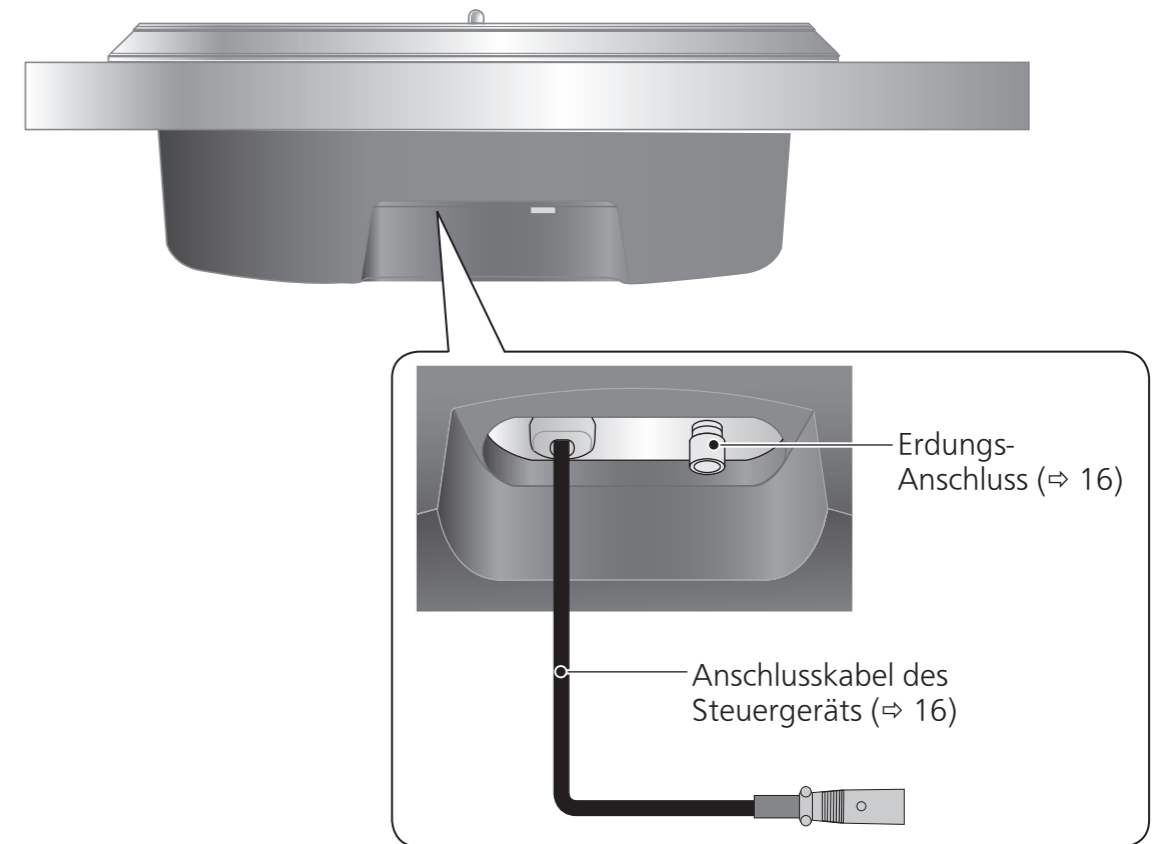
Hauptgerät (Vorderseite)



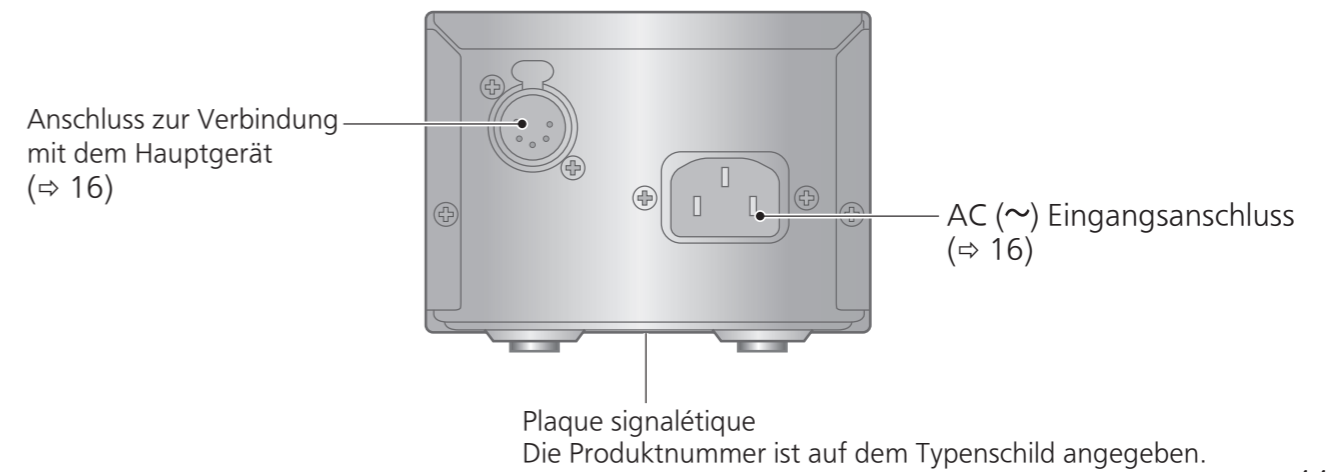
Steuergerät (Vorderseite)



Hauptgerät (Rückseite)



Steuergerät (Rückseite)



Auspacken und Vorbereitung

Hinweise zum Herausnehmen der Ware aus der Verpackung und zum Transport

Achtung

- Es werden zwei oder mehr Personen benötigt, um das Hauptgerät auszupacken und zu transportieren.
- Achten Sie darauf, das Gleichgewicht nicht zu verlieren, wenn Sie das Gerät mit den Händen in einer nicht optimalen Position anheben.
 - Sie können Ihrem Rücken schaden.
 - Sie könnten das Gleichgewicht auf der Treppe oder ähnlichem verlieren, was zu Verletzungen führen kann.
- Achten Sie darauf, beim Herausnehmen des Hauptgeräts nicht Ihre Finger zu quetschen.
- Achten Sie darauf, Ihre Finger nicht im Spalt zwischen dem Boden des Hauptgeräts und dem Fußboden einzuklemmen.
- Bewahren Sie das Verpackungsmaterial nach Herausnehmen der Ware auf.
- Entnehmen Sie die Ware, nachdem Sie sich für einen Aufstellort entschieden haben.
- Hinweise zur Installation finden Sie unter „Aufstellung“ (⇒17).

- ① Nehmen Sie die Plattenteller- und Bedienungsanleitungen heraus.
- Bewahren Sie Zubehörteile außerhalb der Reichweite von Kindern auf.
 - Das Haupt- und das Steuergerät sind in Schutzfolie eingewickelt.

- ② Stecken Sie Ihre Hände zwischen die Verpackungspolster (① gestrichelte Linie in der Draufsicht der Verpackung) und heben Sie das Hauptgerät langsam an, um es herauszunehmen. Führen Sie diese Aufgabe immer mit zwei oder mehr Personen durch.
- Seien Sie beim Anheben des Hauptgeräts vorsichtig.
 - Halten Sie das Hauptgerät unter dem Boden fest, damit es Ihnen nicht aus den Händen rutschen kann.
 - Führen Sie die Aufgabe mit beiden Händen durch, um das Gleichgewicht nicht zu verlieren.

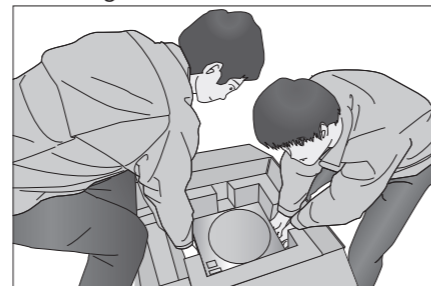
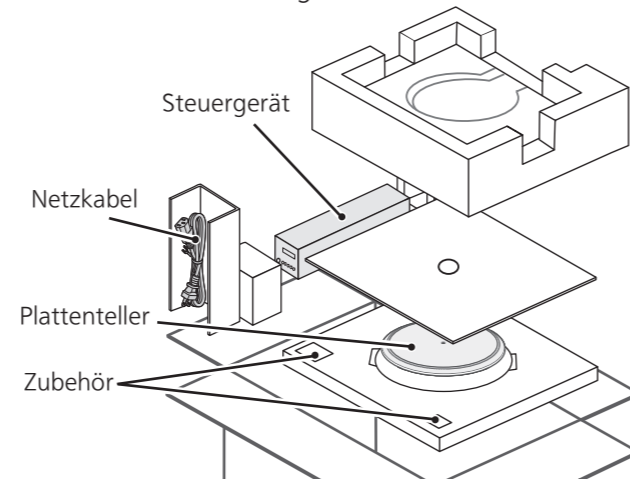
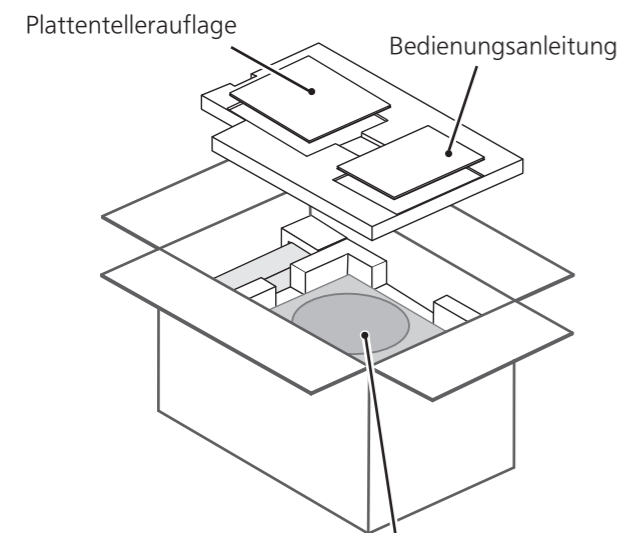
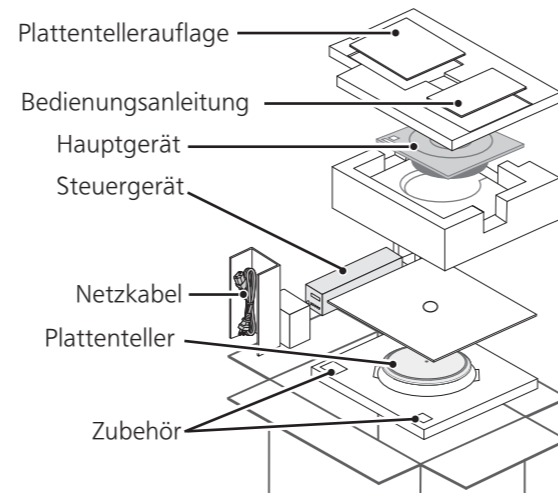


Abbildung zum Anheben

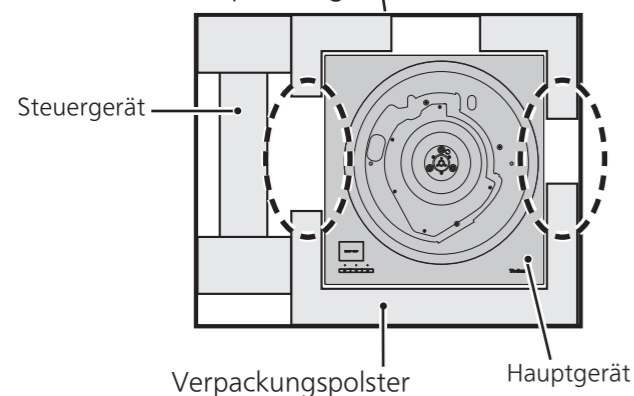
- ③ Nehmen Sie das Steuergerät, das AC-Netzkabel, den Plattenteller und das übrige Zubehör heraus.



Verpackungsreihenfolge



Draufsicht der Verpackung



Zusammenbau des Plattenspielers

Vor dem Zusammenbau des Plattenspielers (bezüglich des Gehäuses und Tonarms)

■ Bezüglich des Gehäuses

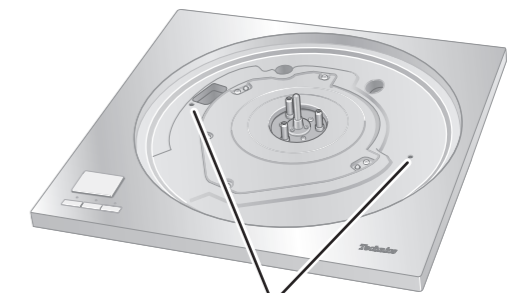
- Dieser Player behält die Bodenform und Schraubenpositionen des SP-10MK2 und SP-10MK3 bei, sodass Sie ihr Gehäuse und den Tonarm weiterhin für ein System mit SP-10MK2 oder SP-10MK3 verwenden können.
- Dieser Player ist ein Modell mit einem hohen Startdrehmoment. Verwenden Sie ein schweres Gehäuse aus einem dicken Material, um seine Eigenschaften und Leistung voll auszunutzen.
- Wählen Sie bei der Wahl eines Gehäuses die äußeren Abmessungen anhand der effektiven Länge Ihres Tonarms aus.
- Verwenden Sie feste und starke Isolatoren, um das Gehäuse zu stützen.
- Abmessungen der Player-Halterung (⇒26)

■ Bezüglich der Tonarmmontage

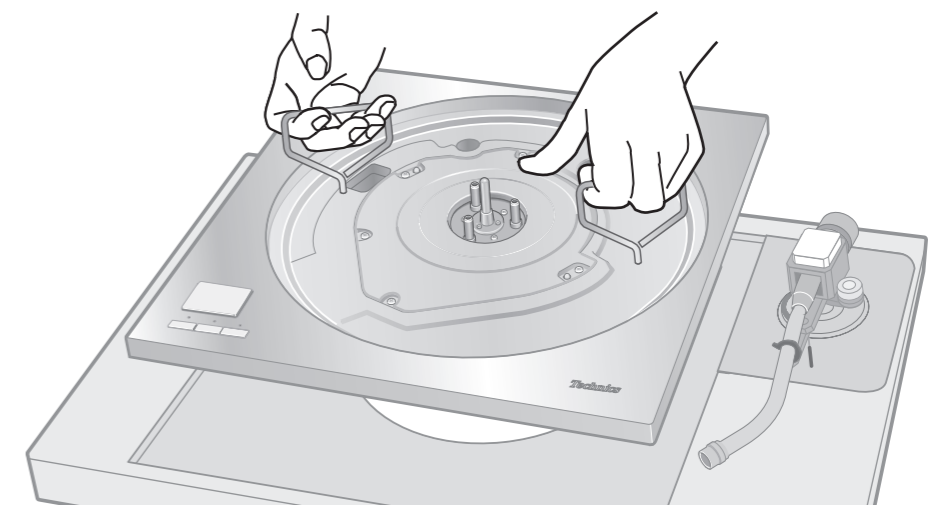
- Verwenden Sie den separat erhältlichen Tonarmsockel. Zu Einzelheiten, wie dem Montageverfahren, richten Sie sich nach der Bedienungsanleitung des Tonarmsockels und dem Tonarm-Merkblatt.

Montage am Gehäuse

- 1 Ziehen Sie die Schrauben des abnehmbaren Griffs in den Befestigungslöchern für den abnehmbaren Griff (2 Stellen) am Hauptgerät fest.**
- 2 Heben Sie das Hauptgerät langsam an und platzieren Sie es auf dem Gehäuse.**
- 3 Befestigen Sie das Hauptgerät mit Schrauben am Gehäuse.**
 - Montieren Sie unter Beachtung der Bedienungsanleitung des Gehäuses.



Befestigungsloch des abnehmbaren Griffs

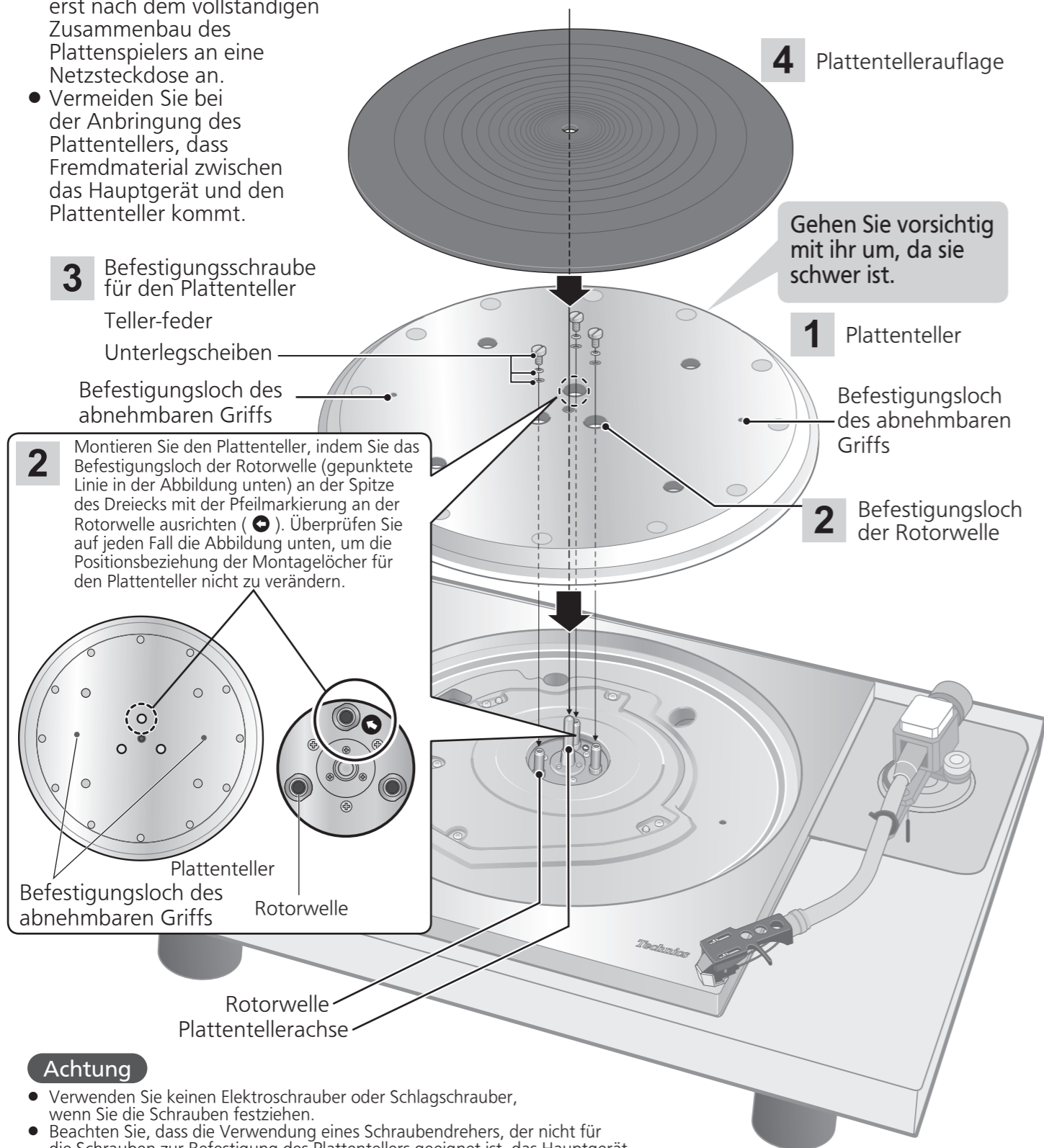


Zusammenbau des Plattenspielers (Fortsetzung)

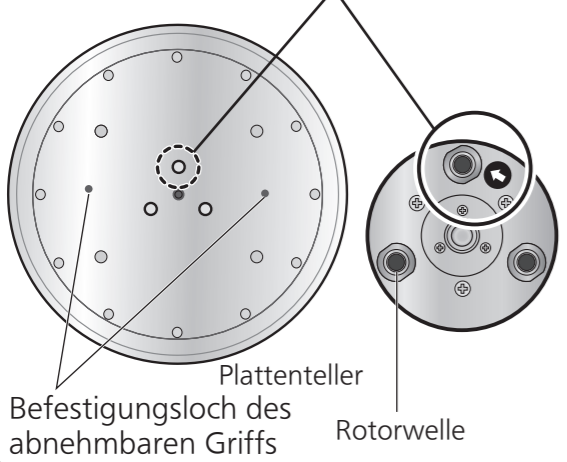
Zur Verhinderung von Beschädigung während des Transports wurde das Gerät vor der Auslieferung aus dem Herstellerwerk teilweise zerlegt. Bauen Sie den Plattenspieler in der unten gezeigten Reihenfolge zusammen.

Achtung

- Schließen Sie das Netzkabel erst nach dem vollständigen Zusammenbau des Plattenspielers an eine Netzsteckdose an.
- Vermeiden Sie bei der Anbringung des Plattentellers, dass Fremdmaterial zwischen das Hauptgerät und den Plattenteller kommt.



2 Montieren Sie den Plattenteller, indem Sie das Befestigungsloch der Rotorwelle (gepunktete Linie in der Abbildung unten) an der Spitze des Dreiecks mit der Pfeilmarkierung an der Rotorwelle ausrichten (⊙). Überprüfen Sie auf jeden Fall die Abbildung unten, um die Positionsbeziehung der Montagelöcher für den Plattenteller nicht zu verändern.

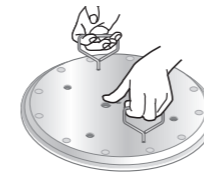


Achtung

- Verwenden Sie keinen Elektroschrauber oder Schlagschrauber, wenn Sie die Schrauben festziehen.
- Beachten Sie, dass die Verwendung eines Schraubendrehers, der nicht für die Schrauben zur Befestigung des Plattentellers geeignet ist, das Hauptgerät beschädigen kann.

Anbringen des Plattentellers

1 Ziehen Sie die Schrauben des abnehmbaren Griffs in den Befestigungslöchern für den abnehmbaren Griff (2 Stellen) am Plattenteller fest. Heben Sie den Plattenteller langsam an und senken Sie ihn dann so ab, dass die mittlere Achse in das Loch in der Mitte des Plattentellers eingeführt wird.



Achtung

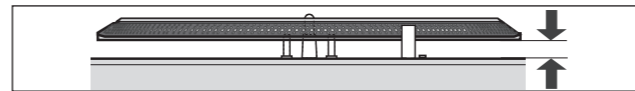
- Ziehen Sie den abnehmbaren Griff fest, indem Sie ihn mindestens 5-mal drehen. Wenn Sie ihn bis zum Ende festgezogen haben, lösen Sie ihn ein wenig. Ziehen Sie ihn nicht vollständig fest.
- Seien Sie bei der Handhabung des Plattentellers vorsichtig, da er schwer ist.
- Wischen Sie die Fingerabdrücke oder den Schmutz mit einem weichen Tuch ab.

2 Senken Sie den Plattenteller langsam ab, während Sie die Befestigungslöcher der Rotorwelle (drei Stellen) an den Rotorwellen ausrichten.

- Montieren Sie die Rotorwelle mit der Pfeilmarkierung als Führung. (⇒ 14)

Achtung

- Wenn die Rotorwellen falsch ausgerichtet sind, verbleibt ein Spalt zwischen dem Plattenteller und dem Hauptgerät und Sie können den Plattenteller nicht ordnungsgemäß befestigen. Drücken Sie den Plattenteller nicht nach unten.



3 Bringen Sie die Unterlegscheiben, Tellerfedern und Schrauben für den Plattenteller an den Rotorwellen-Befestigungslöchern an und ziehen Sie die Befestigungsschrauben sicher fest.



Achtung

- Wenn Sie die Schrauben festziehen, achten Sie darauf, dass die Schraubenköpfe nicht aus der Oberfläche des Plattentellers vorstehen.
- Ziehen Sie die drei Schrauben gleichmäßig fest. Anderenfalls könnte der Plattenteller klappern oder sich instabil drehen. Vergewissern Sie sich, dass keine der Schrauben locker ist.

Abnehmen des Plattentellers

- ① Lösen Sie die Befestigungsschrauben für den Plattenteller und nehmen Sie sie ab. -Bewahren Sie die Schrauben, Tellerfedern und Unterlegscheiben sorgfältig auf.
- ② Ziehen Sie die Schrauben des abnehmbaren Griffs in den Befestigungslöchern des abnehmbaren Griffs (2 Stellen) am Plattenteller fest und heben Sie den Plattenteller gerade an.

Anbringen der Plattentellerauflage

4 Legen Sie die Plattentellerauflage auf den Plattenteller.

Anschlüsse und Aufstellung

- Schalten Sie alle Geräte aus und ziehen Sie das Netzkabel aus der Steckdose, bevor Sie irgendwelche Anschlüsse vornehmen.
- Schließen Sie das Netzkabel erst dann an, nachdem alle anderen Anschlüsse hergestellt worden sind.
- Weitere Informationen finden Sie in der Bedienungsanleitung des angeschlossenen Geräts.

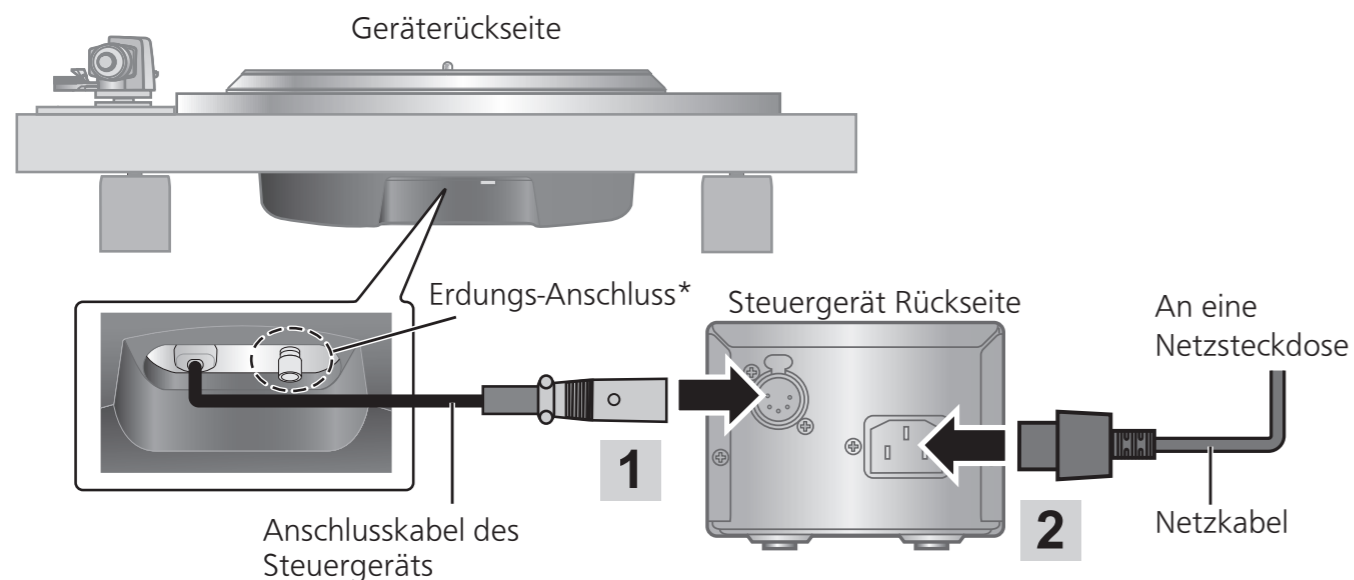
Connexion de l'unité de commande / Connexion de la prise d'alimentation et de la prise de terre

1 Verbinden Sie das Anschlusskabel des Steuergeräts indem Sie es einstecken, bis ein Klick zu hören ist.

2 Verbinden Sie das AC-Netzkabel.

3 Verbinden Sie den Netzstecker und die Erdung.

- Überprüfen Sie die Wattleistung des Netzeingangs der angeschlossenen Anlage, bevor Sie sie an dieses Gerät anschließen. (Die Leistungsaufnahme dieses Gerätes beträgt 10 W.)



*Verbinden Sie bei Bedarf den Erdungs-Anschluss des Hauptgeräts über ein handelsübliches Erdungskabel mit dem des Verstärkers.

Hinweis

- Der Betriebsschalter trennt das ganze Gerät nicht von der Stromversorgung, selbst wenn er sich in der Stellung „OFF“ befindet. Ziehen Sie den Netzstecker aus der Steckdose, wenn Sie das Gerät für einen längeren Zeitraum nicht verwenden möchten. Stellen Sie das Gerät so auf, dass Sie den Stecker leicht herausziehen können.

Aufstellung

■ Hinweise zur Aufstellung

- Zur Installation oder Transport des Geräts sind immer zwei Personen erforderlich.
- Bevor Sie das Gerät an einem anderen Ort aufstellen, trennen Sie alle angeschlossenen Geräte ab und schalten Sie die Stromversorgung aus. Transport des Geräts mit angebrachtem Steuergerät kann dazu führen, dass es abfällt und Verletzungen verursacht.
- Schützen Sie den Plattenspieler vor direkter Sonneneinstrahlung, Staub und Feuchtigkeit und vermeiden Sie eine Aufstellung in der Nähe von Heizkörpern.
- Falls ein Radio in der Nähe des Plattenspielers betrieben wird, kann dieses Gerät Störgeräusche auffangen. Stellen Sie das Gerät so weit wie möglich vom Radio entfernt auf.
- Stellen Sie das Gerät nicht auf eine Wärmequelle.
- Meiden Sie einen Ort mit starken Temperaturschwankungen.
- Meiden Sie einen Ort mit hoher Kondensation.
- Wenn Maßnahmen gegen Umkippen erforderlich sind, wenden Sie sich an ein Transportunternehmen. Die Boden- und Wandstärke muss überprüft werden.
- Meiden Sie einen instabilen Aufstellungsort.
- Achten Sie darauf, dass der Aufstellungsort stark genug ist, um das Gesamtgewicht des Geräts und Systems zu tragen.
- Stellen Sie keinen Gegenstand auf das Gerät.
- Stellen Sie das Gerät nicht an einem beengten Platz auf, wie zum Beispiel einem Bücherregal.
- Stellen Sie das Gerät an einem Ort auf, der weit genug von den Wänden oder anderen Geräten entfernt ist, um eine wirksame Wärmeabstrahlung aus dem Innern des Geräts zu gewährleisten.
- Ziehen Sie das Gerät nach der Installation nicht gewaltsam. Dadurch kann es zu Beschädigung des Isolators oder des Bodens kommen.
- Beachten Sie, dass das Gerät durch Zigarettenqualm oder Feuchtigkeit eines Ultraschall-Luftbefeuchters beschädigt werden kann.

■ Kondensation

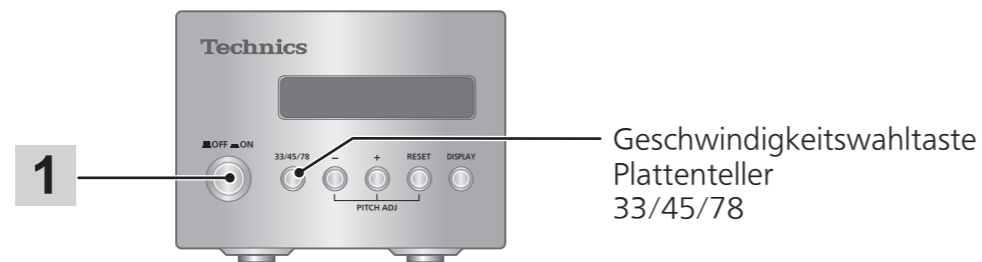
Denken Sie daran, was passiert, wenn Sie eine kalte Flasche aus einem Kühlschrank nehmen. Wenn Sie sie eine Weile im Raum belassen, bilden sich Tautropfen an der Oberfläche der Flasche. Diese Erscheinung wird „Kondensation“ genannt.

- Bedingungen, die Kondensation hervorrufen
 - ◇ Schnelle Temperaturänderung (hervorgerufen durch den Wechsel von einem warmen an einen kalten Ort und umgekehrt, schnelles Abkühlen oder Erhitzen, oder das direkte Aussetzen der kühlen Luft)
 - ◇ Hohe Luftfeuchtigkeit in einem Raum mit viel Wasserdampf usw.
 - ◇ Regenzeit
- Die Kondensation kann das Gerät beschädigen. Wenn dies aufgetreten ist, schalten Sie das Gerät aus und belassen Sie es so, bis es die Umgebungstemperatur angenommen hat (etwa 2 bis 3 Stunden).

Abspielen von Schallplatten

Vorbereitung

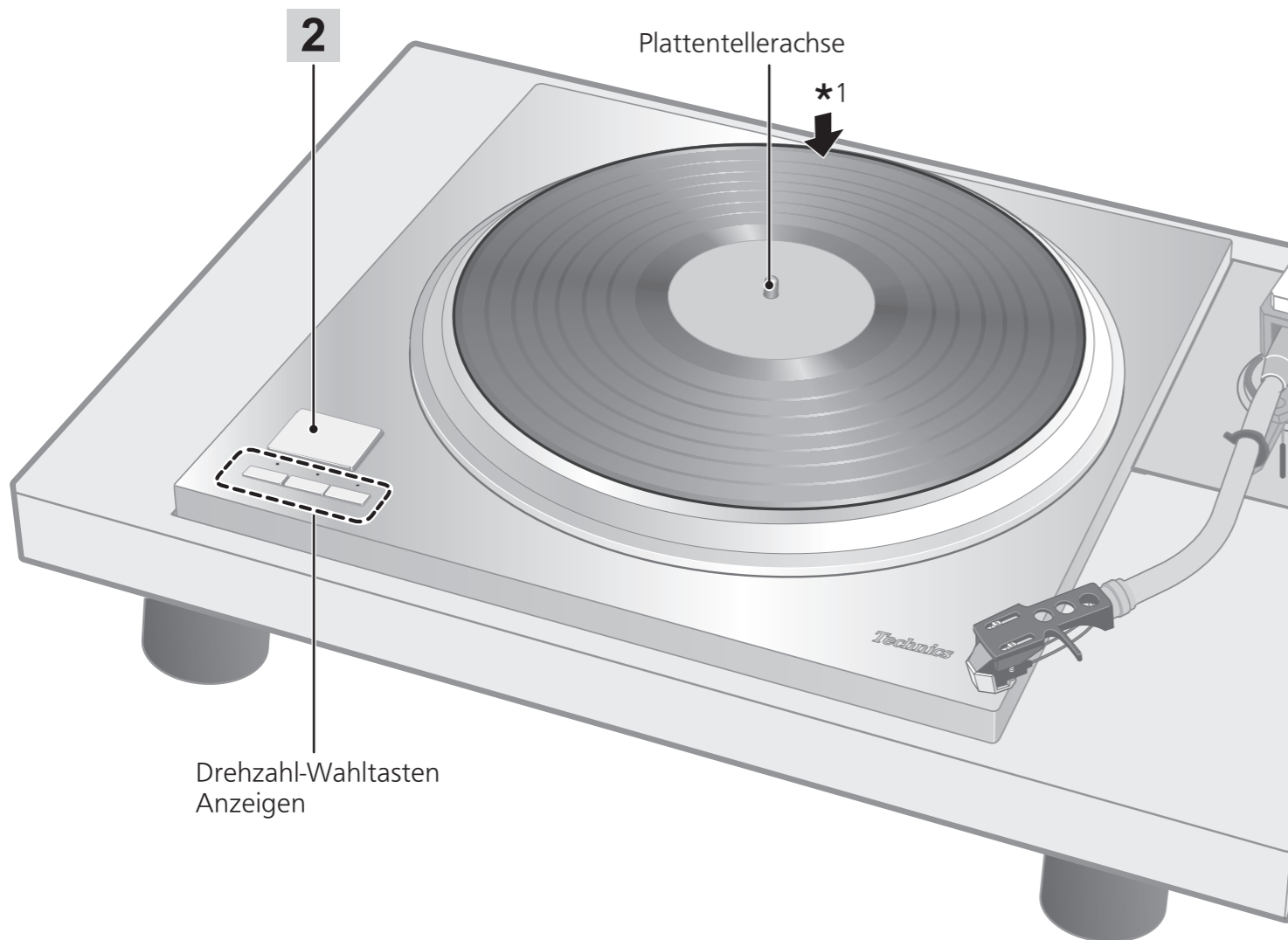
★1 Legen Sie eine Schallplatte (nicht enthalten) auf den Plattenteller.



2

Plattentellerachse

★1



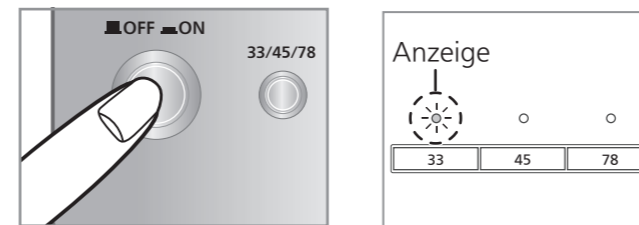
Drehzahl-Wahltasten
Anzeigen

Achtung

Drücken Sie nicht [START-STOP] solange der Plattenteller abgenommen ist.

1 Drücken Sie die Power-Taste am Steuergerät, um es einzuschalten.

Die Geschwindigkeit wird automatisch auf 33^{1/3} Umdrehungen eingestellt, die Kontrollleuchte [33] leuchtet am Hauptgerät auf und die Plattentellergeschwindigkeit [33.33] erscheint auf der Anzeige des Steuergeräts.



2 Drücken Sie [START-STOP].

Der Plattenteller beginnt, sich zu drehen.

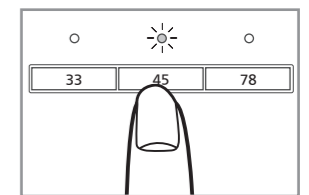


■ Nach beendetem Abspielen

- ⓐ Bringen Sie den Lifthebel in seine obere Stellung, setzen Sie den Tonarm in die Tonarmablage zurück und bringen Sie den Lifthebel in seine untere Stellung.
- ⓑ Drücken Sie [START-STOP]. Die elektronische Bremse bringt den Plattenteller sacht zum Stillstand.
- ⓒ Drücken Sie die Power-Taste am Steuergerät, um es auszuschalten.
- ⓓ Legen Sie den Tonarm in der Tonarmablage ab.
- ⓔ Setzen Sie den Nadelschutz wieder auf (um die Nadelspitze zu schützen).

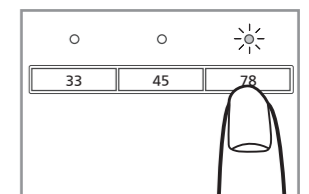
■ Zum Abspielen von 45-U/min-Schallplatten mit großem Mittelloch

- Drücken Sie die Geschwindigkeitsauswahltaste [45] ([45] leuchtet auf).
- Setzen Sie den 45-U/min-Adapter auf die Plattentellerachse.



■ Zum Abspielen von 78-U/min-Schallplatten

- Drücken Sie die Geschwindigkeitsauswahltasten [78] gleichzeitig ([78] leuchten auf).

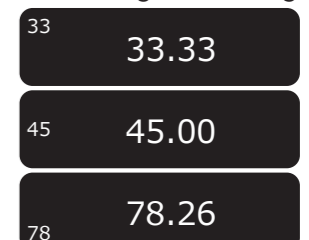


■ Bei Verwendung eines Schallplattenstabilisators (nicht im Lieferumfang enthalten)

- Siehe die Bedienungsanleitung des Plattenstabilisators.
- Maximales Gewicht: 1 kg

Hinweis

- Drücken von [33/45/78] auf dem Steuergerät wechselt ebenfalls die Plattentellergeschwindigkeit. (⇒ 21)



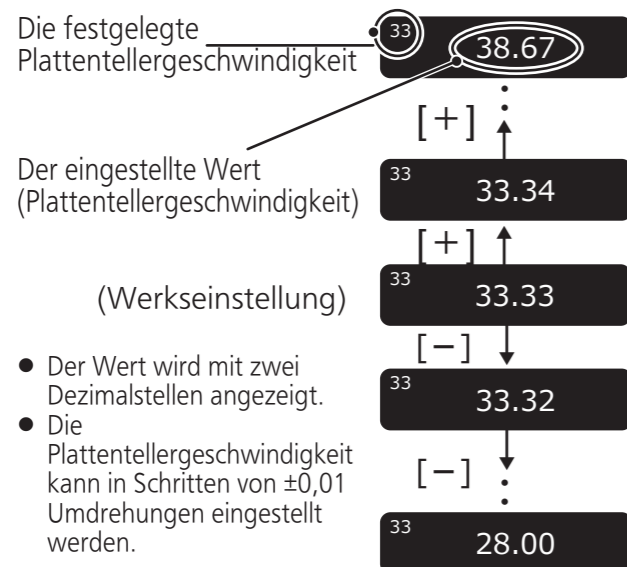
Drehzahlregler (Feineinstellung der Drehzahl)

1 Drücken Sie [-] oder [+] am Steuergerät, um die Einstellungen durchzuführen.

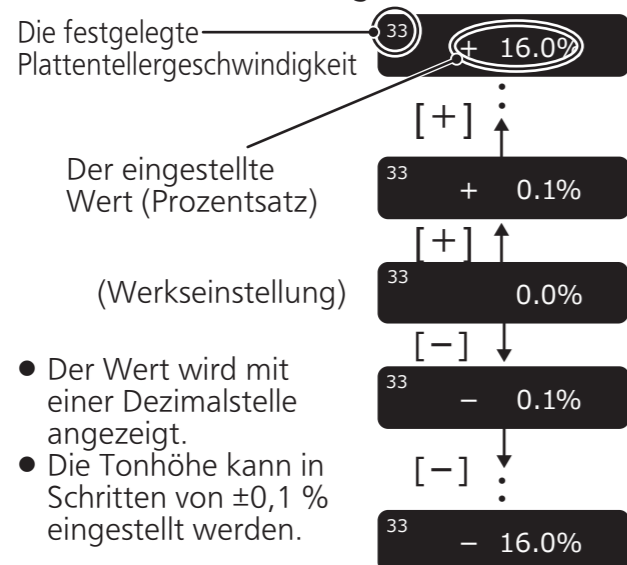
- Die Tonhöhe kann innerhalb von ca. ±16 % der aktuell eingestellten Plattentellergeschwindigkeit [33/45/78] eingestellt werden.
- Der aktuell eingestellte Wert erscheint auf der Anzeige des Steuergeräts. Die Anzeige variiert je nach Anzeigemodus. (Umschalten des Anzeigemodus ⇒ 21)
- Die Plattentellergeschwindigkeit ändert sich jedes Mal, wenn die Tonhöhe eingestellt wird, während der Plattenteller sich dreht.

*Drücken der Taste erhöht oder verringert den Wert.
*Halten der Taste beschleunigt die Erhöhung oder Verringerung.

■ Wenn der Anzeigemodus „Plattentellergeschwindigkeit“ ist



■ Wenn der Anzeigemodus „TonhöhenEinstellung“ ist

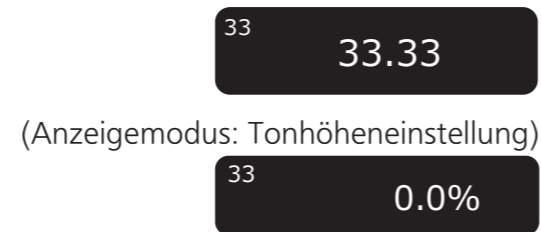


■ Rückkehr zur vorgegebenen Plattentellergeschwindigkeit

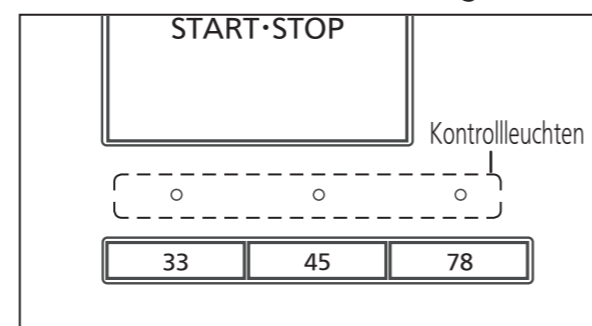
Drücken Sie [RESET] am Steuergerät. Der Wert kehrt sofort zur vorgegebenen Plattentellergeschwindigkeit zurück. (33^{1/3}, 45 oder 78,26 rpm)

*Die Anzeige des Steuergeräts zeigt die vorgegebene Einstellung an. Die Plattentellergeschwindigkeit wird zur vorgegebenen Plattentellergeschwindigkeit im Plattentellergeschwindigkeits-Einstellungsmodus und 0,0 % im TonhöhenEinstellungsmodus.

(Anzeigemodus: Plattentellergeschwindigkeits-Einstellung)



■ Kontrollleuchten der Geschwindigkeitswahltasten am Hauptgerät während der Tonhöhensteuerung



- Blaue LED ein: Ohne Tonhöhensteuerung (0,0 %)
- Orange LED ein: Während der Tonhöhensteuerung

Hinweis

- Die Tonhöhe kann für jede Plattentellergeschwindigkeit eingestellt werden.
- Ausschalten der Power-Taste bricht die Tonhöhensteuerung ab. Beim erneuten Einschalten der Power-Taste kehrt der Wert zur Werkseinstellung zurück.

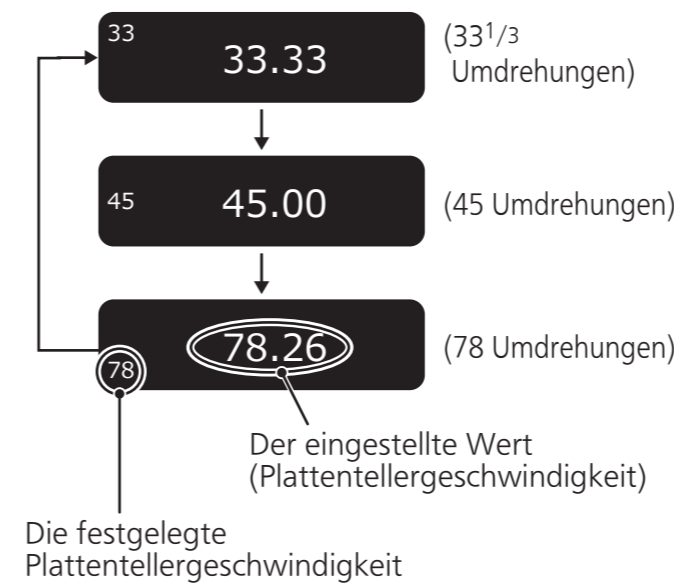
Bedienung und Anzeige des Steuergeräts

Plattentellergeschwindigkeits-Einstellung

1 Drücken Sie [33/45/78] am Steuergerät.

Jedes Mal, wenn [33/45/78] gedrückt wird, wechselt die Plattentellergeschwindigkeit in der Reihenfolge „33“ → „45“ → „78“ → „33“ → ...

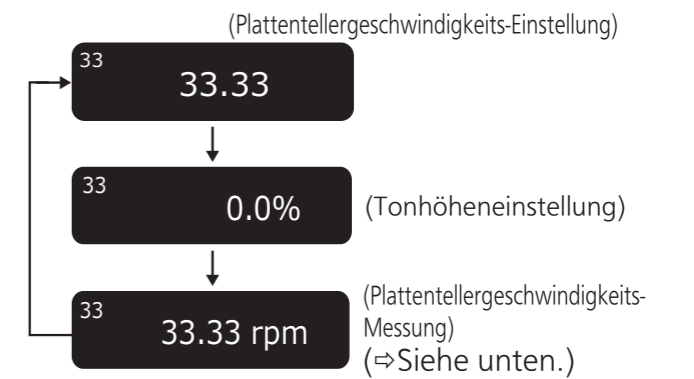
- Die Plattentellergeschwindigkeit ändert sich jedes Mal, wenn die Tonhöhe eingestellt wird, während der Plattenteller sich dreht..



Umschalten des Anzeigemodus

1 Drücken Sie [DISPLAY] am Steuergerät.

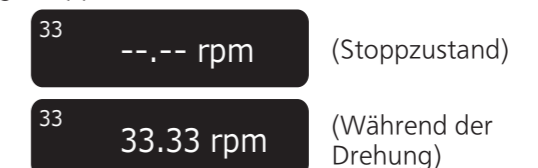
Jedes Mal, wenn [DISPLAY] gedrückt wird, wechselt der Anzeigemodus in der Reihenfolge „Plattentellergeschwindigkeits-Einstellung“ → „TonhöhenEinstellung“ → „Plattentellergeschwindigkeits-Messung“ → „Plattentellergeschwindigkeits-Einstellung“ → ...



Plattentellergeschwindigkeits-Messung

In diesem Anzeigemodus kann die tatsächliche Plattentellergeschwindigkeit gemessen werden. Wechseln Sie den Anzeigemodus (siehe oben), um diesen Modus aufzurufen.

- „rpm“ erscheint nach dem numerischen Wert.
- „--.-- rpm“ erscheint, wenn der Plattenteller gestoppt hat.



■ Bedienung während der „Plattentellergeschwindigkeits-Messung“

Bedienung der Tasten wie unten gezeigt schaltet den Anzeigemodus zu „Plattentellergeschwindigkeits-Einstellung“ und ermöglicht es Ihnen, die Einstellung durchzuführen. *Der Anzeigemodus kehrt zu „Plattentellergeschwindigkeits-Messung“ zurück, wenn innerhalb von drei Sekunden keine Bedienung erfolgt.

- [-]/[+]: Die Tonhöhe kann eingestellt werden. (⇒ 20)
- [RESET]: Der Wert kehrt sofort zur vorgegebenen Plattentellergeschwindigkeit zurück.
- [33/45/78]: Die Plattentellergeschwindigkeit ändert sich jedes Mal, wenn die Taste gedrückt wird.

Hinweis

- Ein durchschnittlicher Wert wird angezeigt.

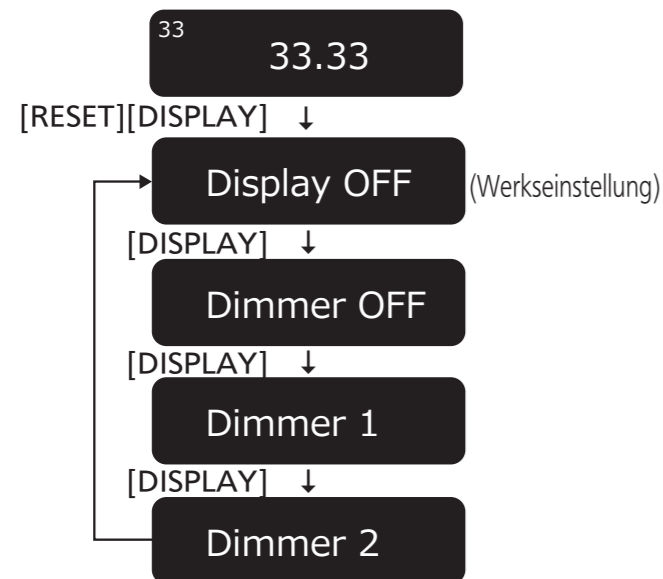
Bedienung und Anzeige des Steuergeräts (Fortsetzung)

Pflege und Instandhaltung

Anzeigedimmer-Einstellung

Der Anzeigedimmer wird aktiviert, wenn das Steuergerät für 20 Sekunden nicht bedient wird. Es gibt vier Dimmmuster.

- Halten Sie am Steuergerät [RESET] gedrückt und drücken Sie [DISPLAY].**
 - Die Dimmer-Einstellung wird angezeigt.
- Drücken Sie [DISPLAY] am Steuergerät.** Die Einstellung wechselt jedes Mal, wenn [DISPLAY] gedrückt wird. (⇒ Siehe unten.)
 - Die Anzeige kehrt zur ursprünglichen Anzeige zurück, wenn innerhalb von drei Sekunden keine Bedienung erfolgt.



Anzeige	Anzeigedimmer, wenn 20 Sekunden lang keine Bedienung erfolgt
Display OFF	Die Helligkeit wird um eine Stufe reduziert. ⇒ (Keine Bedienung für weitere fünf Sekunden) ⇒ Die Helligkeit wird um zwei Stufen reduziert. ⇒ (Keine Bedienung für weitere fünf Sekunden) ⇒ Aus
Dimmer OFF	Kein Dimmen (Immer an)
Dimmer 1	Die Helligkeit wird um eine Stufe reduziert.
Dimmer 2	Die Helligkeit wird um zwei Stufen reduziert.

- Nach der Einstellung wird die Helligkeit sofort auf den eingestellten Wert angepasst. Die Anzeige wird sofort ausgeschaltet, wenn „Anzeige AUS“ ausgewählt wird.
- Bedienung einer Taste (jeder Taste außer der Power-Taste) am Steuergerät, während der Dimmer aktiv ist, schaltet die Anzeige wieder zur vollen Helligkeit zurück.

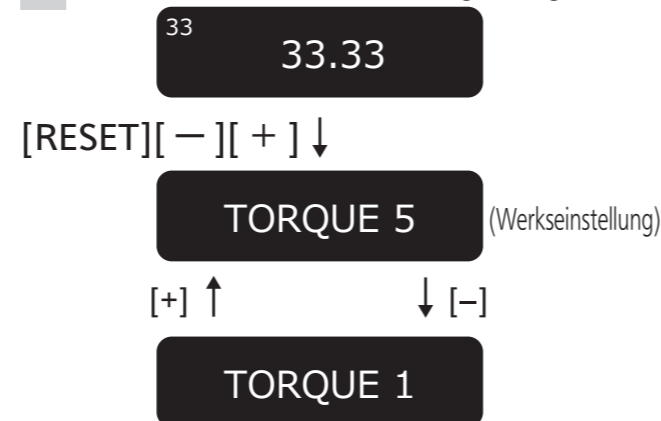
Hinweis

- Die Einstellung wird gespeichert. Wenn die Stromversorgung das nächste Mal eingeschaltet wird, wird die Einstellung wiederhergestellt, die beim letzten Ausschalten aktiv war.

Einstellung des Drehmoments, damit der Plattenteller mit einer konstanten Geschwindigkeit dreht

Drücken Sie [START•STOP] und stellen Sie dann das Drehmoment(Drehkraft) in fünf Stufen ein, damit sich der Plattenteller mit einer konstanten Geschwindigkeit dreht.

- Halten Sie am Steuergerät [RESET] gedrückt und drücken Sie [-] und [+] gleichzeitig.**
 - Die Drehmoment-Einstellung wird angezeigt.
- Drücken Sie [-] oder [+] am Steuergerät, um die Einstellungen durchzuführen.**
 - Wählen Sie eine der fünf Stufen von „TORQUE1“ bis „TORQUE5“ aus. Drücken der Taste erhöht oder verringert den Wert.
 - Verwenden Sie die Tabelle unten als Richtlinie.
 - Die Anzeige kehrt zur ursprünglichen Anzeige zurück, wenn innerhalb von drei Sekunden keine Bedienung erfolgt.



Anzeige	Drehmoment zum Drehen mit konstanter Geschwindigkeit
TORQUE5	Maximal (Werkseinstellung)
TORQUE4	↑ ↓
TORQUE3	
TORQUE2	
TORQUE1	Minimal

Hinweis

- Die Einstellung wird gespeichert. Wenn die Stromversorgung das nächste Mal eingeschaltet wird, wird die Einstellung wiederhergestellt, die beim letzten Ausschalten aktiv war.

Reinigung des Hauptgeräts

Wischen Sie das Hauptgerät und andere Komponenten mit einem trockenen, weichen Tuch ab.

Wenn sich die Verschmutzung nur schwer entfernen lässt, wringen Sie ein feuchtes Tuch sorgfältig aus, um den Schmutz abzuwischen, und wischen Sie anschließend mit einem weichen Tuch nach.

- Verwenden Sie keine Lösungsmittel wie zum Beispiel Waschbenzin, Verdünnung, Alkohol, Spülmittel, chemische Reinigungsmittel usw. Dies kann dazu führen, dass die äußere Hülle verformt wird oder die Beschichtung abblättert.

Transport des Gerätes

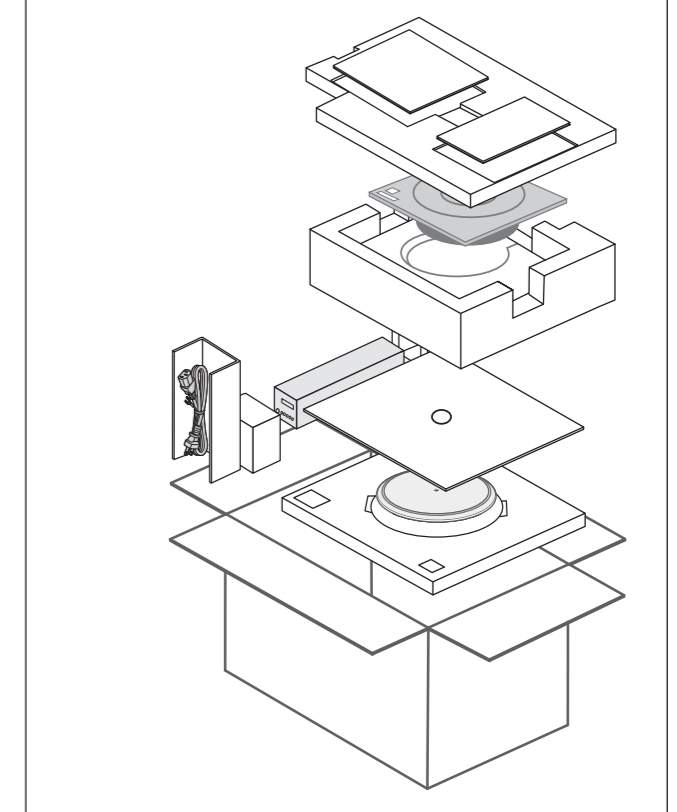
Verpacken Sie den Plattenspieler vor einem Transport wieder in den Original-Verpackungsmaterialien. (⇒ 12)

Bewahren Sie das Verpackungsmaterial nach Herausnehmen der Ware auf.

Falls die Original-Verpackungsmaterialien nicht mehr vorhanden sind, gehen Sie wie folgt vor:

- Entfernen Sie den Plattenteller zusammen mit der Plattentellerauflage und wickeln Sie ihn sorgfältig ein.
- Umwickeln Sie das Hauptgerät sorgfältig mit einer Wolldecke oder weichem Papier.

Wiederverpacken



WEEE-Symbol

Entsorgung des Produktes außerhalb der EU-Länder

Dieses Symbol ist nur innerhalb der EU gültig. Wenden Sie sich an eine örtliche Regierungsstelle oder Ihren Händler, um die Art und Weise der ordnungsgemäßen Entsorgung zu erfahren.

Liste von Fehlermöglichkeiten

Bevor Sie Kontakt mit dem Kundendienst aufnehmen, führen Sie die folgenden Überprüfungen durch. Wenn Sie sich zu einigen Prüfpunkten nicht sicher sind oder wenn die in der Tabelle genannten Abhilfemaßnahmen nicht das Problem lösen, wenden Sie sich an Ihren Händler.

Keine Stromzufuhr.

- Ist das Netzkabel an eine Steckdose angeschlossen?
→Schließen Sie das Netzkabel fest an eine Netzsteckdose an. (⇒ 16)
- Ist das Steuergerät mit dem Hauptgerät verbunden?
→Führen Sie das Verbindungskabel des Steuergeräts ein, bis es klickt. (⇒ 16)

Keine Anzeige auf dem Display des Steuergeräts.

- Ist der Netzstecker angeschlossen?
→Stecken Sie ihn fest ein. (⇒ 16)
- Ist das Gerät eingeschaltet?
→Drücken Sie die Power-Taste, um die Stromversorgung einzuschalten. (⇒ 18)
- Ist der Anzeige-Dimmer aktiviert?
→Bedienen Sie eine Taste (jede Taste außer der Power-Taste) am Steuergerät. (⇒ 22)

■ Fehlercode

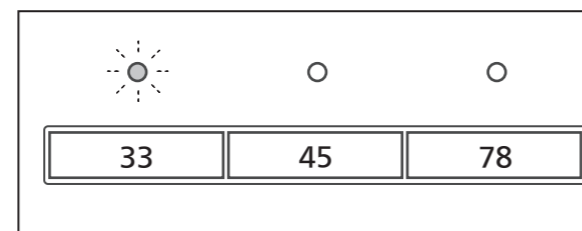
Das Auftreten eines Fehlers wird bei Bedarf auf der Anzeige des Steuergeräts und mit den Kontrollleuchten der Geschwindigkeitswahltasten am Hauptgerät angezeigt.

Anzeige des Steuergeräts	Messung
Unconnected	Prüfen Sie, dass das Steuergerät mit dem Hauptgerät verbunden ist. (⇒ 16)
F58 F76 F17	Wenden Sie sich an Ihren Händler. <ul style="list-style-type: none"> • Eine der [33/45/78] Kontrollleuchten der Geschwindigkeitswahltasten des Hauptgeräts blinkt (schnell oder langsam) in orange. • Geben Sie die angezeigte Nummer und den Blink-Status der LED zum Zeitpunkt der Abfrage an.

(Beispiel für die Anzeige des Steuergeräts im Fall eines Fehlers)

Unconnected

(Beispiel für die Kontrollleuchten der Geschwindigkeitswahltasten des Hauptgeräts im Fall eines Fehlers)
Blinkt orange.



Technische Daten

Allgemeine Daten	
Stromversorgung	110 - 240 V Wechselstrom, 50/60 Hz
Leistungsaufnahme	10 W (Stromversorgung ON) 0,05 W (Stromversorgung OFF)
Abmessungen (B×H×T)	<Steuergerät> 110×84×350 mm
	<Hauptgerät> 365×109×365 mm
Masse	<Steuergerät> Ca. 2,1 kg
	<Hauptgerät> Ca. 18,2 kg
Betriebstemperatur	0 °C bis 40 °C
Betriebsfeuchtigkeit	35 % zu 80 % RH (ohne Kondensation)
Plattenspieler-Daten	
Antrieb	Direktantrieb
Motor	Kollektorloser Gleichstrommotor
Plattenteller	Messing und Aluminiumdruckguss kombiniert Durchmesser: 323 mm Masse: Ca. 7,9 kg (Einschließlich des Plattentellerbogens)
Plattenteller-Drehzahlen	33-1/3, 45 und 78* rpm
Variabler Drehzahlbereich	±16 %
Anlaufdrehmoment	0,39 N·m (4,0 kg-cm)
Bremssystem	Elektronische Bremse
Gleichlaufschwankungen	0,015 % W.R.M.S. (JIS C5521)
Anschlussbereich	
Ausgangsanschluss	Erdungs-Anschluss

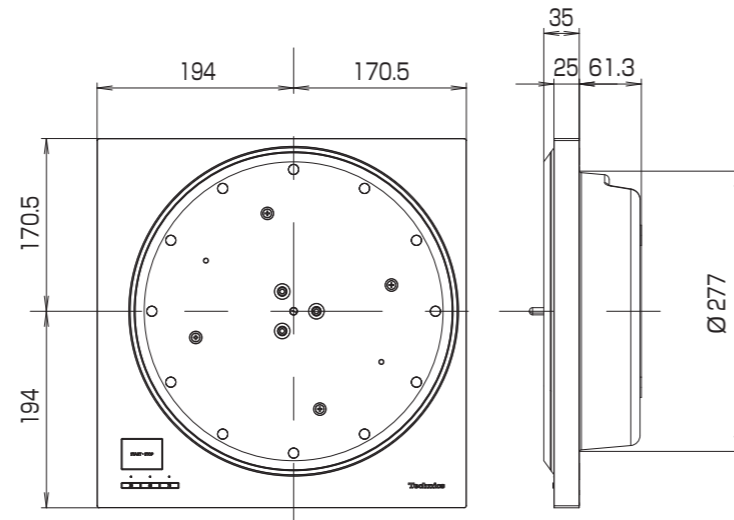
Änderungen der technischen Daten jederzeit vorbehalten.

*Die Plattentellergeschwindigkeit beträgt 78,26 rpm, wenn sie auf 78 rpm (Tonhöhensteuerung 0,0 %) eingestellt ist.

Maßzeichnungen

■ Äußere Abmessungen

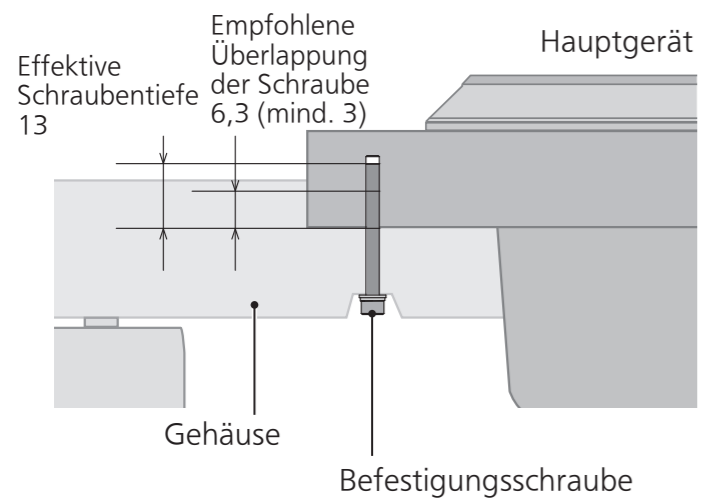
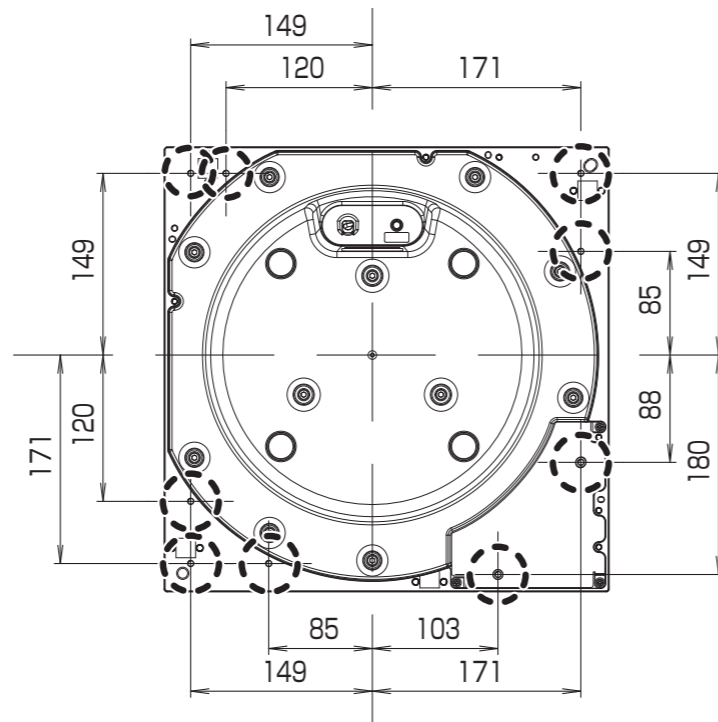
Wählen Sie ein Gehäuse, das den äußeren Abmessungen des Players entspricht.
<Einheit: mm>



■ Positionen der Schrauben zur Befestigung des Gehäuses

Befestigen Sie den Player an den neun Positionen (mit gestrichelter Linie markiert), die in der rechten Abbildung (Unterseite des Hauptgeräts) dargestellt sind. <Einheit: mm>

- Befestigungsschraube: M5
Bei der Auswahl der Länge der Befestigungsschrauben ist die untenstehende Schnittdarstellung zu beachten.



Introduction

Nous vous remercions pour votre achat de cet appareil. Veuillez lire attentivement ces instructions avant d'utiliser ce produit et conservez ce manuel pour vous y référer ultérieurement.

- À propos des descriptions de ce mode d'emploi
 - Les pages auxquelles se référer sont indiquées en tant que « (⇒ 00) ».
 - Les illustrations peuvent différer de votre appareil.

Caractéristiques

Moteur d'entraînement direct sans noyau pour une rotation douce et précise

- Le nouveau moteur à entraînement direct sans noyau peut réduire les vibrations minimales pendant la rotation en assurant un couple puissant pour entraîner la platine de grande classe.
- La technologie de commande de moteur de haute précision change le mode d'entraînement en fonction de l'état de fonctionnement du moteur pour obtenir une précision de rotation élevée.

Platine à trois couches pour une rotation stable

- La structure de la platine à trois couches se compose de laiton, d'aluminium moulé et de caoutchouc amortissant contre la résonance indésirable et est fixée à la surface inférieure.
- Les poids de tungstène denses sont situés sur la périphérie extérieure de la partie en laiton pour fournir une grande masse d'inertie.

Unité de commande spéciale qui peut éliminer les interférences parasites indésirables avec l'unité principale

- Le circuit d'alimentation et le circuit de commande sont séparés pour minimiser les interférences de bruit externes indésirables avec l'unité principale et sont stockés dans une unité de contrôle unique.
- La nouvelle alimentation à découpage avec un circuit de réduction du bruit a été développée pour réduire le bruit dans l'alimentation en tension.

Compatibilité avec SP-10MK2 et SP-10MK3

- Le lecteur conserve la forme du fond et les emplacements des vis des modèles SP-10MK2 et SP-10MK3 afin que vous puissiez continuer à utiliser votre meuble et votre bras de lecture.

Table des matières

● Avant utilisation		Avant utilisation
Précautions de sécurité	06	
Accessoires	09	
Nom des pièces.....	10	
● Pour commencer		Pour commencer
Déballage et préparation.....	12	
• Notes pour sortir les marchandises de la boîte et les transporter.....	12	
Assemblage de l'appareil.....	13	
• Avant d'assembler le lecteur (Concernant le meuble et le bras de lecture).....	13	
• Montage sur le meuble	13	
• Montage de la platine	15	
• Montage du tapis de platine.....	15	
Raccordements et installation.....	16	
• Connexion de l'unité de commande / Connexion de la prise d'alimentation et de la terre ..	16	
• Installation	17	
● Lecture		Lecture
Lecture des disques	18	
Contrôle de vitesse (réglage fin de la hauteur).....	20	
Fonctionnement et affichage de l'unité de commande	21	
• Réglage de la vitesse de la platine.....	21	
• Changement du mode d'affichage	21	
• Mesure de la vitesse de la platine	21	
• Réglage du variateur de luminosité d'affichage	22	
• Réglage du couple pour faire tourner la platine à une vitesse constante	22	
● Entretien		Entretien
Entretien	23	
Guide de dépannage.....	24	
Spécifications.....	25	
Dessins dimensionnels.....	33	

Précautions de sécurité

AVERTISSEMENT

Appareil

- Pour réduire les risques d'incendie, d'électrocution ou de dommages au produit,
 - N'exposez pas cet appareil à la pluie, l'humidité, l'égouttement ou l'éclaboussure.
 - Ne placez pas d'objets remplis d'eau, tels que des vases, sur l'appareil.
 - Utiliser exclusivement les accessoires préconisés.
 - Ne retirez pas les caches.
 - Ne réparez pas l'appareil vous-même. Confiez l'entretien à un personnel qualifié.
 - Ne laissez pas d'objets métalliques tomber dans cet appareil.
 - Ne pas placer d'objets lourds sur cet appareil.

Cordon d'alimentation secteur

- Pour réduire les risques d'incendie, d'électrocution ou de dommages au produit,
 - Assurez-vous que la puissance du voltage fourni correspond au voltage inscrit sur l'appareil.
 - Branchez la prise secteur dans la prise électrique.
 - Ne pas tirer, plier ou placer des objets lourds sur le cordon.
 - Ne manipulez pas la prise avec les mains mouillées.
 - Tenez le corps de la prise secteur en la débranchant.
 - N'utilisez pas de prise secteur ni de prise de courant endommagée.
- La fiche secteur est le dispositif de déconnexion. Installez cet appareil de sorte que la fiche secteur puisse être débranchée immédiatement de la prise de courant.
- Assurez-vous que la broche de terre de la fiche du cordon d'alimentation est correctement branchée afin d'éviter un choc électrique.
 - Un appareil de CLASSE I doit être raccordé à une prise électrique pour l'alimentation dotée d'une mise à la terre de protection.

ATTENTION

Appareil

- Ne placez pas de sources de flammes vives telles que bougies allumées sur cet appareil.
- Cet appareil peut être perturbé par des interférences causées par des téléphones mobiles pendant l'utilisation. En présence de telles interférences, éloignez le téléphone mobile de cet appareil.
- Cet appareil est destiné à être utilisé sous des climats tropicaux.
- Ne mettez pas d'objets sur cet appareil. Cet appareil devient chaud lorsqu'il est en marche.
- Veillez à ne pas vous coincer les mains et/ou les doigts dans la platine lors de l'assemblage du lecteur.
- Utilisez toujours au moins deux personnes pour retirer et transporter l'unité principale.

Emplacement

- Placez cet appareil sur une surface plane.
- Pour réduire les risques d'incendie, d'électrocution ou de dommages au produit,
 - N'installez pas et ne placez pas cet appareil dans une bibliothèque, un placard ni dans aucun autre espace réduit. Assurez-vous que l'appareil est bien ventilé.
 - Ne bloquez pas les ouvertures d'aération de cet appareil avec des journaux, nappes, rideaux ou objets similaires.
 - N'exposez pas cet appareil directement aux rayons du soleil, à des températures élevées, à une humidité élevée ni à des vibrations excessives.
- Assurez-vous que l'emplacement de placement est suffisamment solide pour supporter le poids de cette unité (⇒ 25).
- Ne soulevez pas et ne transportez pas cet appareil en le tenant par l'un de ses boutons. Cela pourrait faire tomber l'appareil, causant des blessures ou un dysfonctionnement de celui-ci.



L'élimination des équipements usagés

Applicable uniquement dans les pays membres de l'Union européenne et les pays disposant de systèmes de recyclage.

Apposé sur le produit lui-même, sur son emballage, ou figurant dans la documentation qui l'accompagne, ce pictogramme indique que les appareils électriques et électroniques usagés, doivent être séparés des ordures ménagères.

Afin de permettre le traitement, la valorisation et le recyclage adéquats des appareils usagés, veuillez les porter à l'un des points de collecte prévus, conformément à la législation nationale en vigueur.

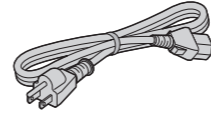
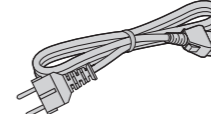
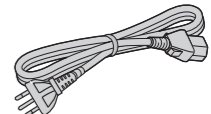
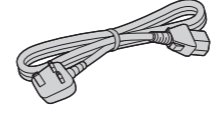
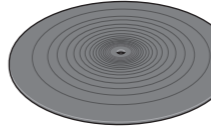
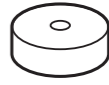

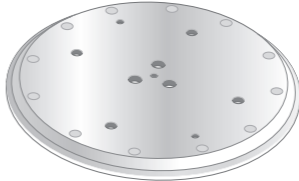
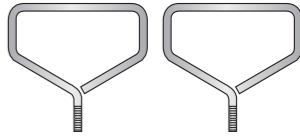
En les éliminant conformément à la réglementation en vigueur, vous contribuez à éviter le gaspillage de ressources précieuses ainsi qu'à protéger la santé humaine et l'environnement.

Pour de plus amples renseignements sur la collecte et le recyclage, veuillez vous renseigner auprès des collectivités locales.

Le non-respect de la réglementation relative à l'élimination des déchets est passible d'une peine d'amende.

Accessoires

Certaines pièces de l'appareil ont été démontées pour prévenir tout dommage lors de l'expédition. Cochez les accessoires pour vérifier qu'ils sont bien tous dans l'emballage.

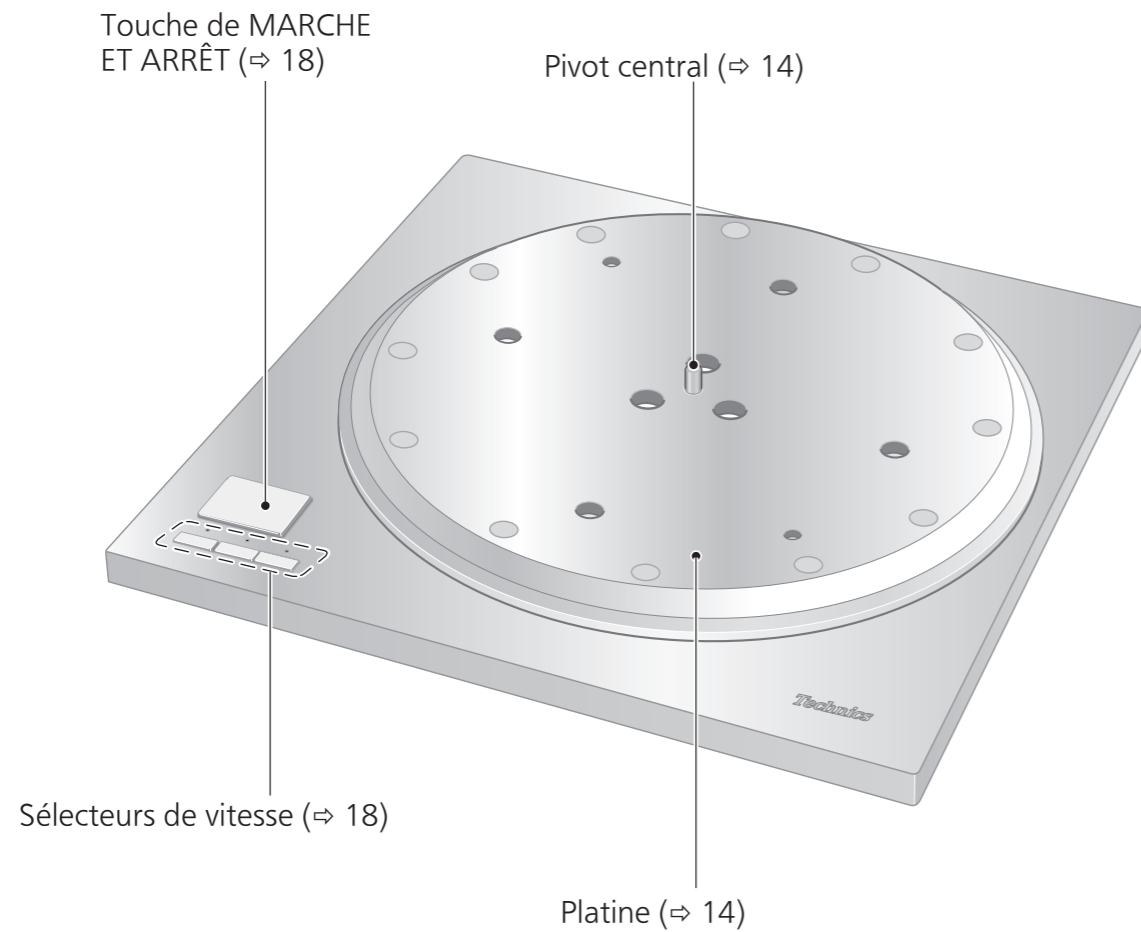
<p>Cordon d'alimentation secteur (1 pce.) (K2CG3YY00191)</p> 	<p>Cordon d'alimentation secteur (1 pce.) (K2CM3YY00041)</p> 	<p>Cordon d'alimentation secteur (1 pce.) (K2CS3YY00033)</p> 
<p>Cordon d'alimentation secteur (1 pce.) (K2CT3YY00081)</p> 	<p>Tapis de platine (1 pce.) (RGS0008)</p> 	<p>Adaptateur pour disques 45 tours (1 pce.) (TEKX077)</p> 
<p>Jeu de vis pour la platine (1 jeu) (TYL0194)</p> <ul style="list-style-type: none"> ● Screws-long (3 pc.) ● Washers (3 pc.) ● Belleville springs (3 pc.) 	<p>Platine (1 pce.) (TYL0195)</p> 	<p>Poignée détachable (2 pce.) (TXQ0020)</p> 

- Les numéros de modèle des accessoires sont tels qu'en février 2018. Ils sont sujets à modification sans préavis.
- Gardez les matériaux d'emballage après avoir pris possession du matériel. Vous en aurez besoin pour transporter l'appareil sur une longue distance.
- Observez les réglementations locales lors de la mise au rebut du produit.
- Ne pas utiliser d'autre cordon d'alimentation que celui fourni.
- Maintenir le contrepoids auxiliaire, les vis et les rondelles hors de portée des enfants pour éviter qu'ils ne puissent les avaler.

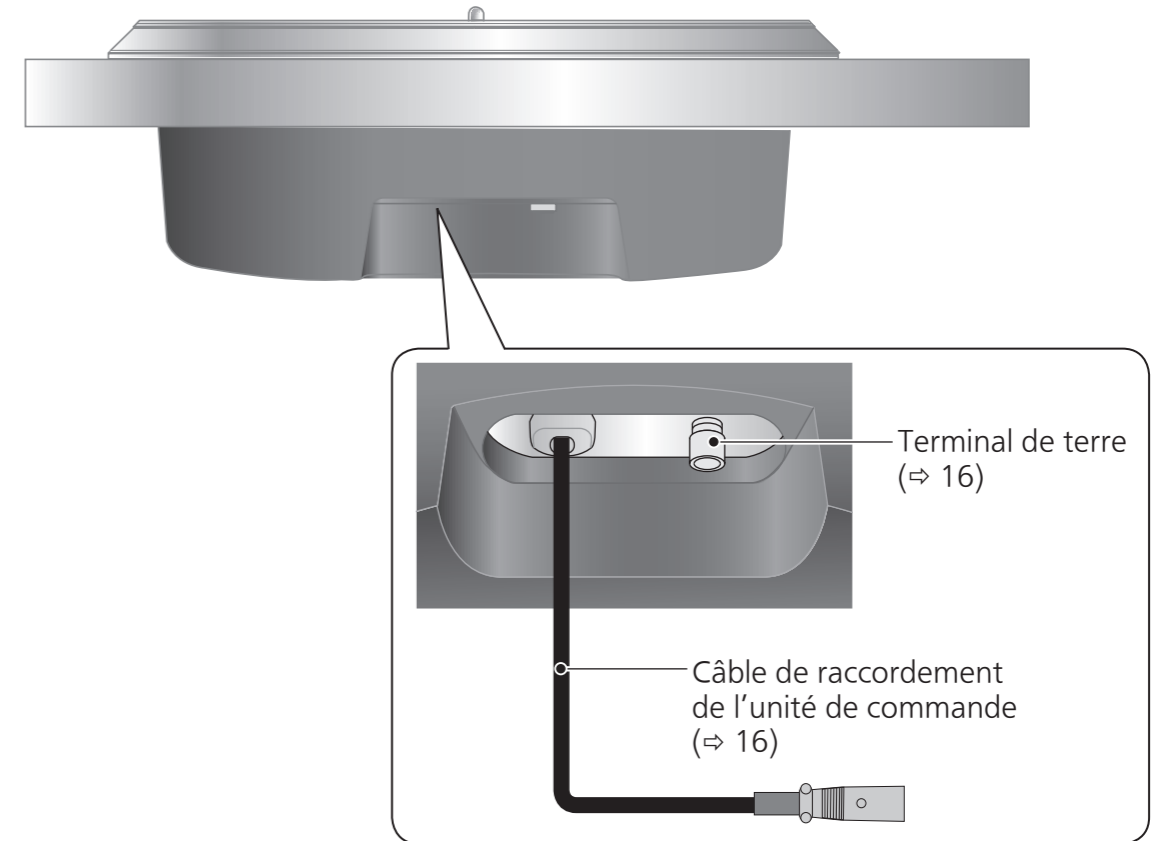
Nom des pièces

Des numéros comme (⇒ 00) indiquent les pages de référence.

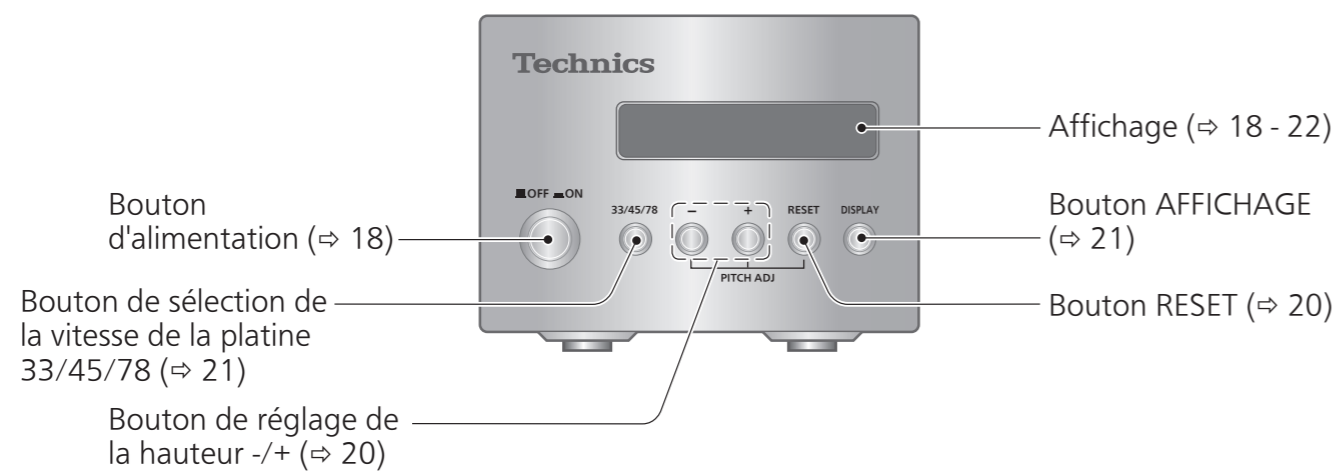
Unité principale (avant)



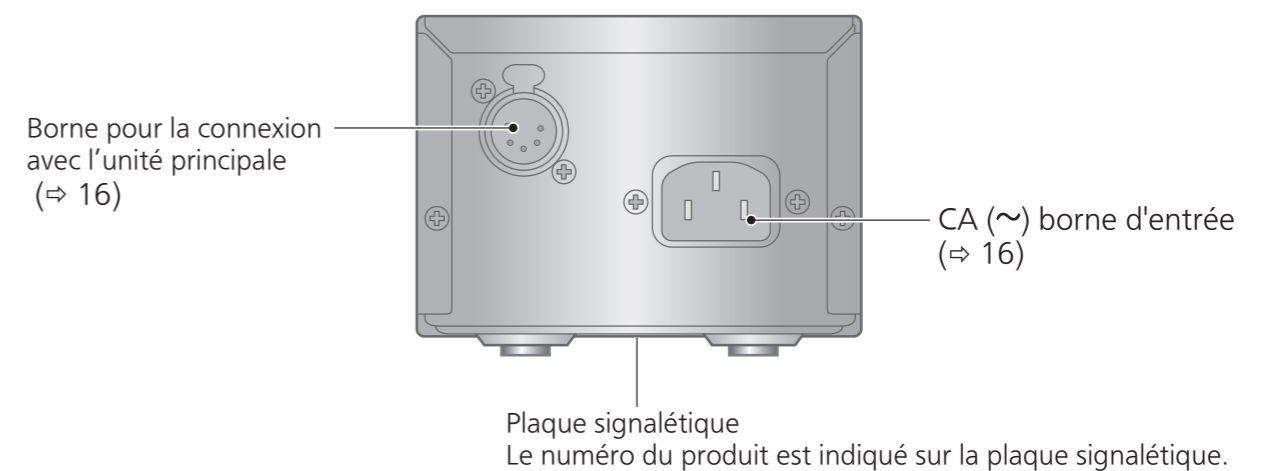
Unité principale (arrière)



Unité de commande (avant)



Unité de commande (arrière)



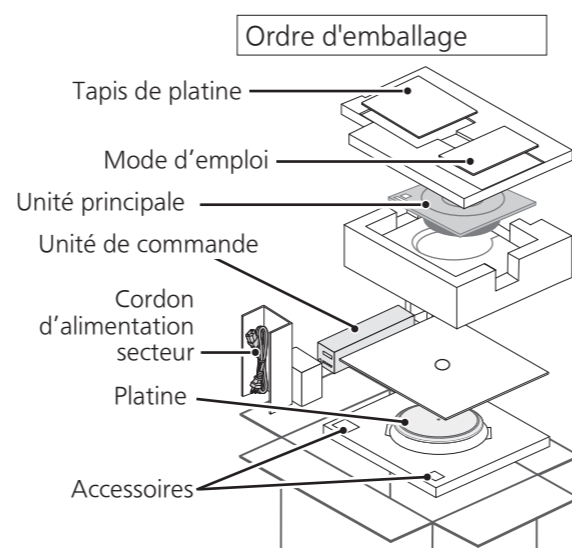
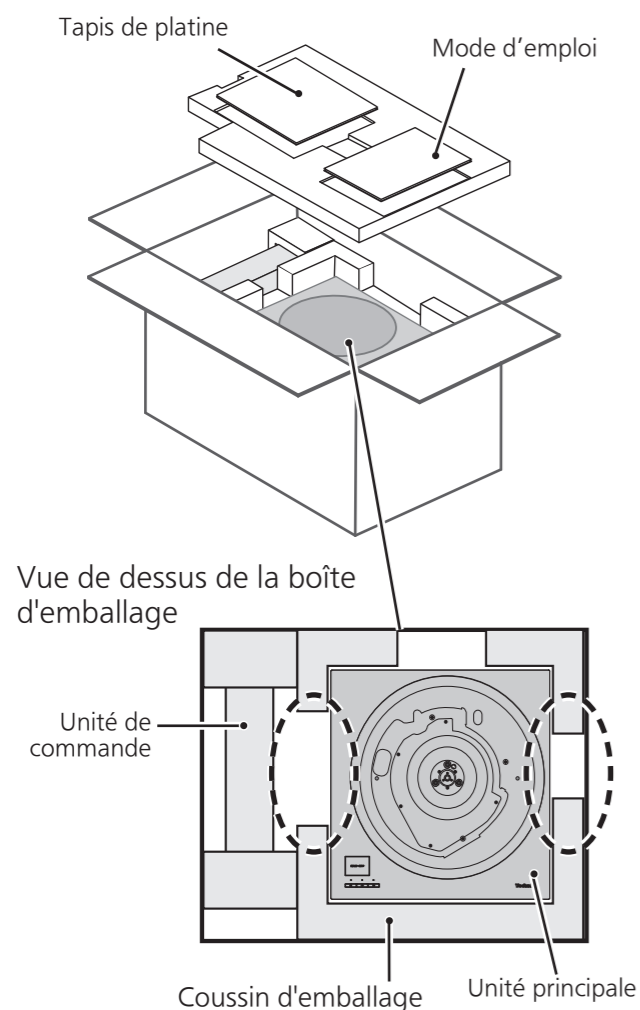
Déballage et préparation

Notes pour sortir les marchandises de la boîte et les transporter

Attention

- Utilisez toujours au moins deux personnes pour retirer et transporter l'unité principale.
- Veillez à ne pas perdre l'équilibre si vous soulevez l'appareil avec vos mains dans une position non optimale.
 - Vous pourriez endommager votre dos.
 - Vous risquez de perdre l'équilibre dans les escaliers ou autre, ce qui peut provoquer des blessures.
- Faites attention de ne pas vous coincer les doigts lors du retrait de l'unité principale.
- Prenez garde à ne pas vous coincer les doigts dans l'espace entre la partie inférieure de l'unité principale et le sol.
- Gardez les matériaux d'emballage après avoir pris possession du matériel.
- Sortez les marchandises après avoir décidé du lieu d'installation.
- Pour les remarques concernant l'installation, reportez-vous à la section « Installation » (⇒17).

- ① Retirer le couvre-plateau et le mode d'emploi.
- Conservez les accessoires hors de portée des enfants.
 - L'unité principale et l'unité de commande sont emballées dans un emballage de protection.



- ② Placez vos mains entre les coussins d'emballage (① zone en pointillés de la vue supérieure de la boîte) et soulevez lentement l'unité principale pour la retirer. Toujours effectuer cette opération à l'aide de deux personnes ou plus.
- Faites très attention lors du levage de l'unité principale.
 - Tenez l'unité principale par le bas pour l'empêcher de glisser des mains.
 - Effectuez cette tâche à l'aide des deux mains afin de ne pas perdre l'équilibre.

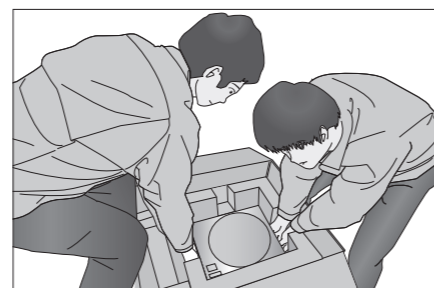
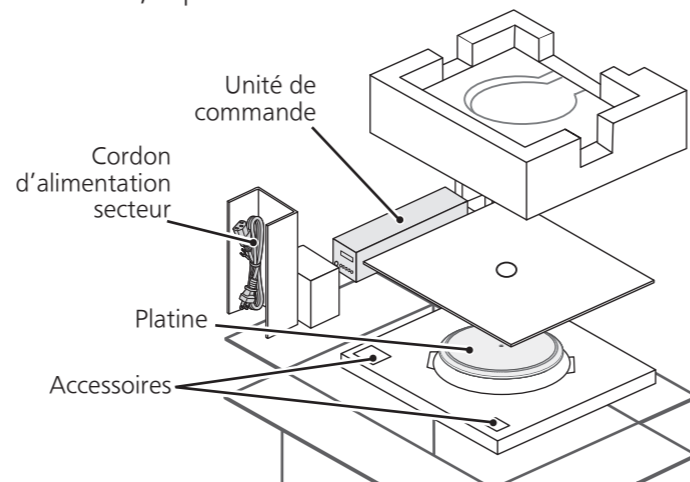


Image de tâche de levage

- ③ Retirer l'unité de commande, le cordon d'alimentation secteur, la platine et les autres accessoires.



Assemblage de l'appareil

Avant d'assembler le lecteur (Concernant le meuble et le bras de lecture)

■ En ce qui concerne le meuble

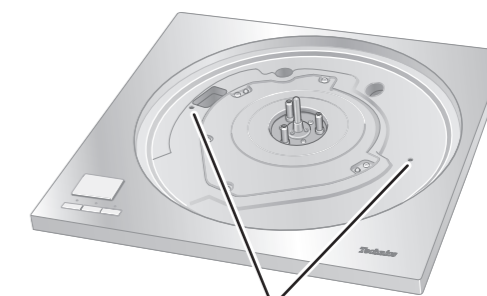
- Ce lecteur conserve la forme du fond et les emplacements des vis des modèles SP-10MK2 et SP-10MK3 afin que vous puissiez continuer à utiliser votre meuble et votre bras de lecture pour un système utilisant SP-10MK2 ou SP-10MK3.
- Ce lecteur est un modèle avec un grand couple de démarrage. Pour utiliser pleinement ses caractéristiques et jouir de ses performances, utilisez un meuble lourd en matériau épais.
- Lorsque vous choisissez un meuble, déterminez ses dimensions externes en fonction de la longueur effective de votre bras de lecture.
- Utilisez des isolateurs solides et résistants pour soutenir le meuble.
- Dimensions de montage du lecteur (⇒26)

■ En ce qui concerne le montage du bras de lecture

- Utilisez la base du bras de lecture vendue séparément. Pour des détails tels que la méthode de montage, suivez les instructions d'utilisation de la base du bras de lecture et la notice du bras de lecture.

Montage sur le meuble

- 1 Serrez les vis de la poignée détachable dans les trous de montage réservés à la poignée détachable (deux emplacements) sur l'unité principale.**
- 2 Soulevez lentement l'unité principale et placez-la sur le meuble.**
- 3 Fixez l'unité principale sur le meuble à l'aide de vis.**
 - Procédez au montage en suivant les instructions d'utilisation du meuble.



Trou de montage de la poignée détachable

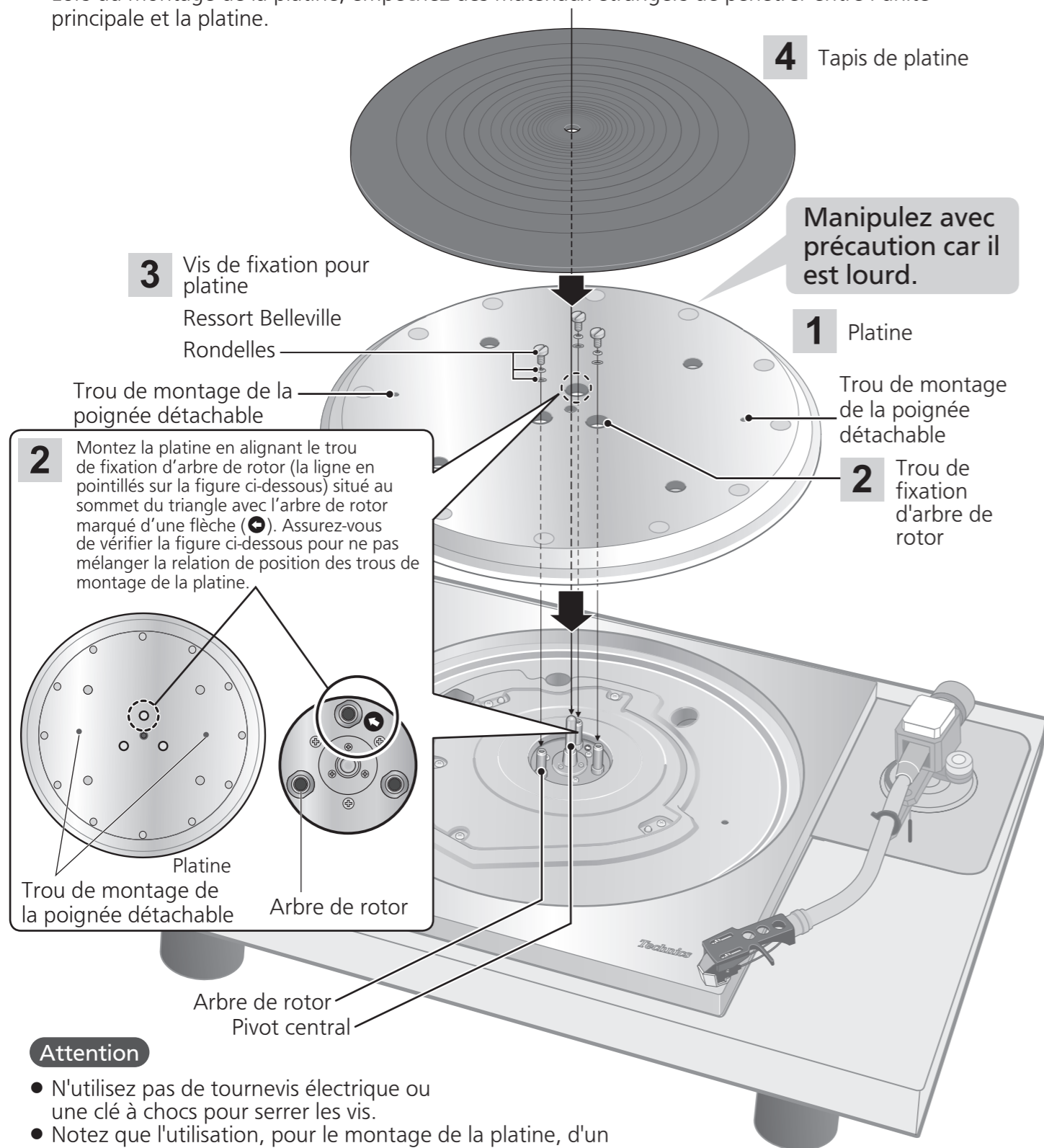


Assemblage de l'appareil (suite)

Certaines pièces de l'appareil ont été démontées pour prévenir tout dommage lors de l'expédition. Assemblez l'appareil dans l'ordre suivant.

Attention

- Ne raccordez pas le cordon d'alimentation secteur tant que l'installation n'est pas terminée.
- Lors du montage de la platine, empêchez des matériaux étrangers de pénétrer entre l'unité principale et la platine.



Attention

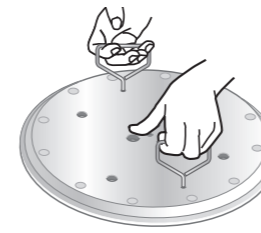
- N'utilisez pas de tournevis électrique ou une clé à chocs pour serrer les vis.
- Notez que l'utilisation, pour le montage de la platine, d'un tournevis non adapté aux vis risque d'endommager l'unité principale.

14 (86)

Français

Montage de la platine

1



Serrez les vis de la poignée détachable dans les trous de montage réservés à la poignée détachable (deux emplacements)

sur la platine. Soulevez lentement la platine, puis abaissez-la de manière à insérer le pivot central dans le trou au centre de la platine.

Attention

- Serrez la poignée détachable en la tournant au moins 5 fois. Si vous l'avez serrée jusqu'au bout, desserrez-la un peu. Ne la serrez pas fermement.
- Faites attention lors de la manipulation de la platine étant donné qu'elle est lourde.
- Essuyez les traces de doigts ou de saleté avec un chiffon doux.

2

Abaissez lentement la platine tout en alignant les trous de fixation des arbres de rotor (trois emplacements) avec les arbres de rotor.

- Effectuez le montage à l'aide de l'axe du rotor avec le repère fléché comme guide. (⇒ 14)

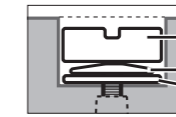
Attention

- Si les arbres de rotor sont mal alignés, il subsiste un écart entre la platine et l'unité principale et il n'est pas possible de monter la platine correctement. Ne forcez pas la platine vers le bas.



3

Fixez les rondelles, les ressorts belleville et les vis pour la platine, aux trous de fixation d'arbres de rotor et serrez fermement les vis de montage.



Vis de fixation pour platine
Ressort Belleville
Rondelles

Attention

- Lors du serrage des vis, ne laissez pas des têtes de vis dépasser de la surface supérieure de la platine.
- Serrez les trois vis uniformément. Ne pas le faire peut faire vibrer ou tourner la platine de façon instable. Assurez-vous qu'aucune vis n'est desserrée.

To remove the turntable

- ① Desserrez les vis de montage pour la platine et enlevez-les.
-Gardez précieusement les vis, les ressorts belleville et les rondelles.
- ② Serrez les vis de la poignée détachable dans les trous de montage de la poignée détachable (deux emplacements) situés sur la platine et soulevez lentement la platine tout droit.

Montage du tapis de platine

4

Posez le tapis de platine sur la platine.

(87) 15

Français

Raccordements et installation

- Éteignez tous les appareils et débranchez le cordon d'alimentation secteur de la prise avant d'effectuer tout branchement.
- Branchez le cordon d'alimentation secteur une fois tous les autres raccordements terminés.
- Reportez-vous aussi au mode d'emploi de l'appareil connecté.

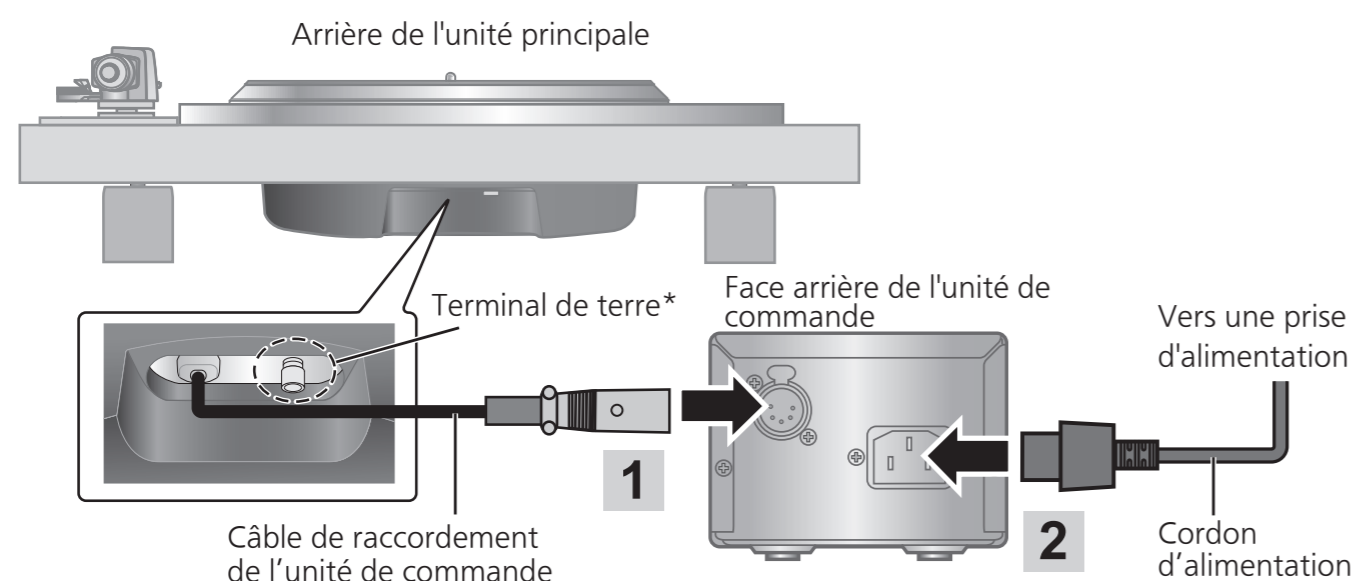
Connexion de l'unité de commande / Connexion de la prise d'alimentation et de la terre

1 Branchez le câble de raccordement de l'unité de commande en l'insérant jusqu'à ce qu'il s'enclenche.

2 Branchez le cordon d'alimentation CA.

3 Branchez la fiche d'alimentation et la prise de terre.

- Vérifiez la puissance en watts de la sortie secteur sur l'équipement connecté avant de l'utiliser pour cet appareil. (Cet appareil consomme 10 W).



*Si nécessaire, connectez le terminal de terre de l'unité principale à celui de l'amplificateur à l'aide d'un câble de terre disponible dans le commerce.

Remarque

- L'interrupteur de fonctionnement ne sépare pas l'unité entière de l'alimentation même en position « OFF ». Retirez la fiche de la prise électrique principale si vous ne comptez pas utiliser l'appareil pendant une longue période. Placez l'appareil de sorte que la prise puisse être facilement enlevée.

Installation

Notes pour l'installation

- Prévoyez toujours la présence d'au moins deux personnes pour installer ou déplacer l'appareil.
- Avant de déplacer l'appareil, retirez tous les périphériques connectés et éteignez l'appareil. Le déplacement de l'appareil connecté à l'unité de commande risque de le faire tomber et de provoquer des blessures.
- Assurez-vous que l'appareil n'est pas exposé aux rayons directs du soleil, à la poussière, à l'humidité et à la chaleur émise par un appareil de chauffage.
- Cet appareil peut capter des interférences d'un appareil radio situé à proximité. Gardez l'appareil aussi loin que possible d'un appareil radio.
- N'installez pas l'appareil sur une source de chaleur.
- Évitez un endroit avec de grandes variations de température.
- Évitez un endroit avec une condensation fréquente.
- Si des mesures anti-basculement sont nécessaires, consultez un entrepreneur. La résistance du sol et des murs doit être vérifiée.
- Évitez un endroit instable.
- Assurez-vous que l'emplacement d'installation est suffisamment résistant pour supporter le poids total de l'unité et du système.
- Ne mettez pas un objet sur l'appareil.
- N'installez pas l'appareil dans un espace confiné tel qu'une étagère.
- Installez l'appareil dans un emplacement bien éloigné des murs ou d'autres dispositifs pour permettre un rayonnement de chaleur efficace depuis l'intérieur de l'appareil.
- Ne tirez pas l'unité de force après l'installation. Sinon, vous risquez d'endommager l'isolateur ou la surface du sol.
- Notez que l'appareil peut être endommagé par la fumée de cigarettes ou l'humidité provenant d'un humidificateur à ultrasons.

Condensation

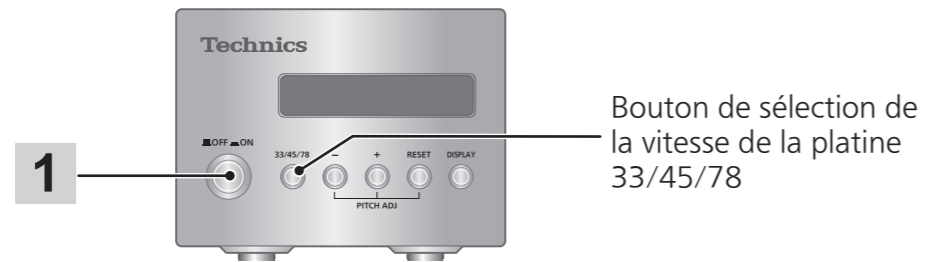
Imaginez, vous sortez une bouteille froide d'un réfrigérateur. Si vous la laissez dans une pièce pendant un certain temps, des gouttes de rosée vont se former sur la surface de la bouteille. Ce phénomène est appelé « condensation ».

- Conditions provoquant la condensation
 - ◇ Changement rapide de température (causé par le déplacement d'un endroit chaud à un endroit froid ou vice versa, un refroidissement ou un réchauffement rapide ou bien exposition directe à de l'air froid)
 - ◇ Forte humidité dans une pièce avec beaucoup de vapeur, etc.
 - ◇ Saison pluvieuse
- La condensation peut endommager l'appareil. Quand cela se produit, éteignez l'appareil et laissez-le jusqu'à ce qu'il s'adapte à la température ambiante (environ 2 à 3 heures).

Lecture des disques

Préparatifs

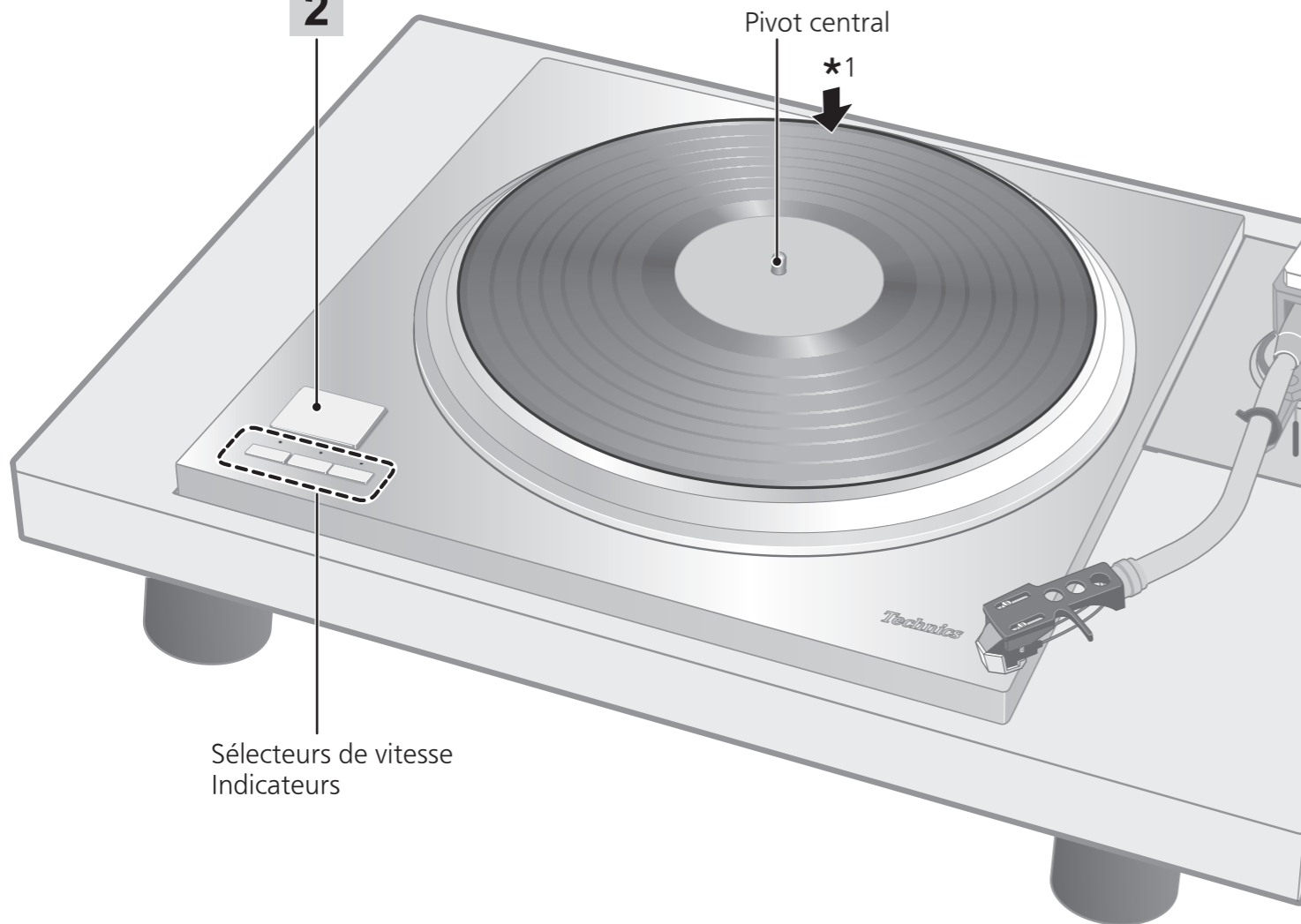
★1 Mettez un disque (non inclus) sur la platine.



2

Pivot central

★1



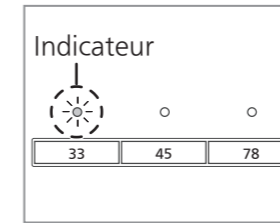
Sélecteurs de vitesse
Indicateurs

Attention

N'appuyez pas sur [START-STOP] lorsque la platine est retirée.

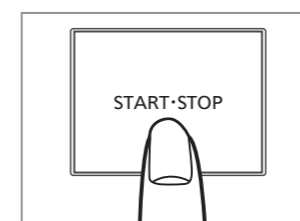
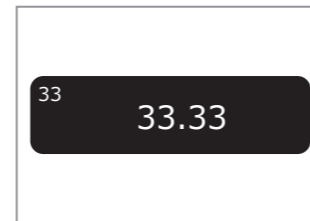
1 Appuyez sur le bouton d'alimentation de l'unité de commande pour l'activer.

La vitesse est automatiquement réglée à 33^{1/3} tours, l'indicateur [33] s'allume sur l'unité principale et la vitesse de la platine [33,33] apparaît sur l'affichage de l'unité de commande.



2 Appuyez sur [START-STOP].

La platine de lecture commence à tourner.

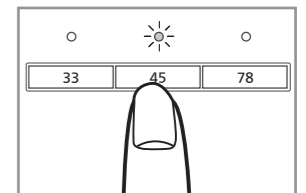


■ Lorsque la lecture prend fin

- ① Relevez le levier de pose et de relevage, ramenez le bras de lecture sur le support de bras et abaissez le levier de pose et de relevage.
- ② Appuyez sur [START-STOP].
Le frein électronique arrête doucement la platine.
- ③ Appuyez sur le bouton d'alimentation de l'unité de commande pour l'éteindre.
- ④ Fixez le bras de lecture à l'aide du clip de retenue du bras.
- ⑤ Remettez le couvercle de pointe de lecture (pour protéger le bout de la pointe de lecture).

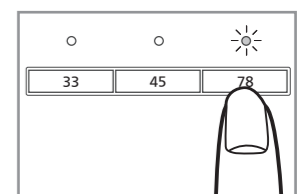
■ Lors de la lecture de 45 tours

- Appuyez sur le bouton de sélection de vitesse [[45]] ([45] s'allume).
- Montez l'adaptateur pour disques 45 tours sur le pivot central.



■ Lors de la lecture de 45 tours SP (enregistrement court)

- Appuyez en même temps sur les boutons de sélection de vitesse [78] ([78] s'allument).



■ Lors de l'utilisation d'un stabilisateur d'enregistrement (non inclus)

- Consultez le manuel d'instructions du stabilisateur d'enregistrement.
- Poids maximum : 1 kg

Nota

- Appuyer sur [33/45/78] sur l'unité de commande peut également changer la vitesse de la platine. (⇒21)

33 33.33

45 45.00

78 78.26

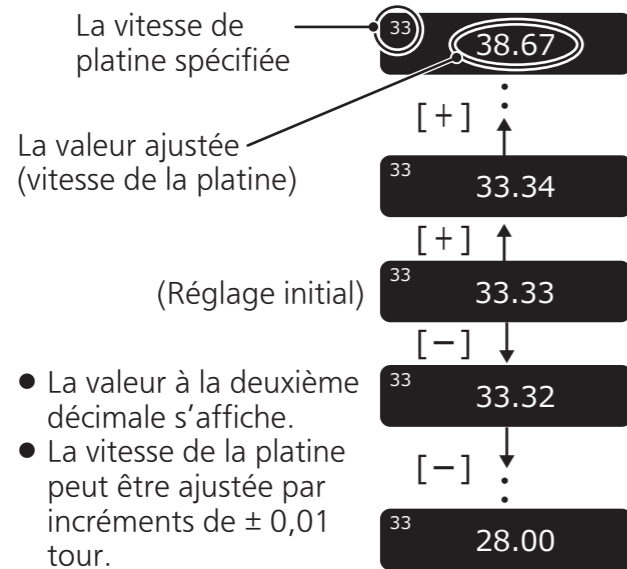
Contrôle de vitesse (réglage fin de la hauteur)

1 Appuyez sur [+] ou [-] sur l'unité de commande pour effectuer l'ajustement.

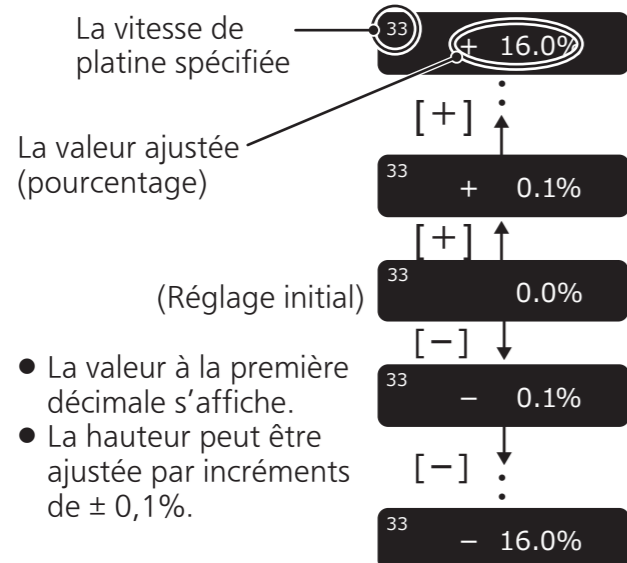
- La hauteur peut être réglée dans une plage d'environ $\pm 16\%$ de la vitesse de la platine actuellement sélectionnée [33/45/78].
- La valeur de réglage actuelle s'affiche sur l'écran de l'unité de commande. L'affichage varie en fonction du mode d'affichage. (Commutation du mode d'affichage \Rightarrow 21)
- La vitesse de la platine change chaque fois que la hauteur est réglée pendant que la platine tourne.

- Une pression sur la touche augmente ou diminue la valeur.
- Le fait de maintenir le bouton enfoncé accélère l'augmentation ou la diminution.

■ Lorsque le mode d'affichage est « Réglage de la vitesse de la platine »



■ Lorsque le mode d'affichage est « Réglage de la hauteur »



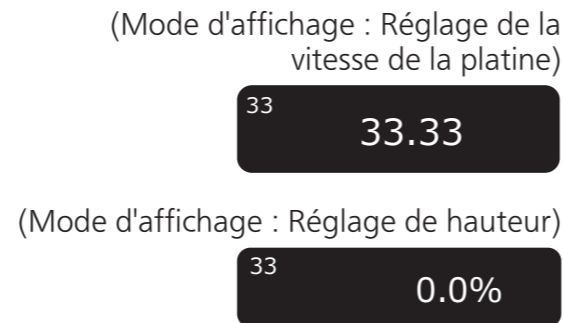
■ Pour revenir à la vitesse de platine prescrite

Appuyez sur [RESET] sur l'unité de commande. La valeur revient immédiatement à la vitesse de platine prescrite.

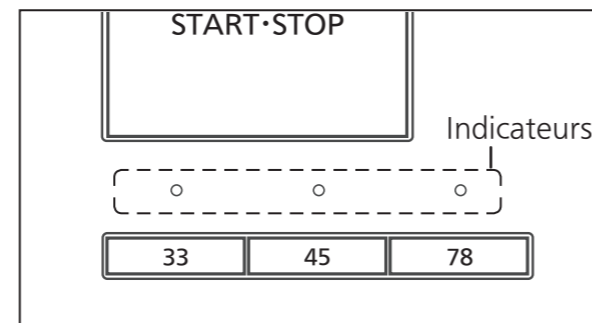
($33^{1/3}$, 45 ou 78,26 rpm)

*L'affichage de l'unité de commande indique le réglage prescrit.

La vitesse de la platine devient la vitesse de platine prescrite dans le mode de réglage de la vitesse de platine et 0,0 % dans le mode de réglage de la hauteur.



■ Indicateurs du sélecteur de vitesse de l'unité principale pendant le contrôle de la hauteur



- DEL bleue allumée : Sans contrôle de hauteur (0,0%)
- LED orange allumée : Pendant le contrôle de la hauteur

Nota

- La hauteur peut être réglée pour chaque vitesse de platine.
- La mise hors tension du bouton d'alimentation annule le réglage du contrôle de hauteur. La mise sous tension du bouton d'alimentation restitue la valeur du réglage initial.

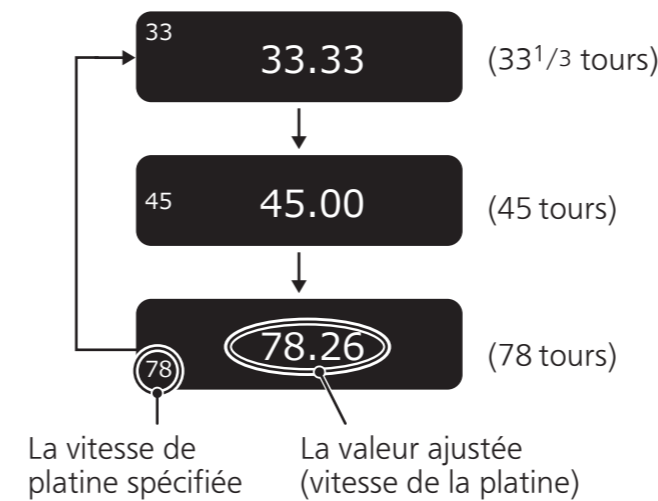
Fonctionnement et affichage de l'unité de commande

Réglage de la vitesse de la platine

1 Appuyez sur [33/45/78] sur l'unité de commande.

Chaque fois que vous appuyez sur [33/45/78], la vitesse de la platine change dans l'ordre de « 33 » \rightarrow « 45 » \rightarrow « 78 » \rightarrow « 33 » \rightarrow ...

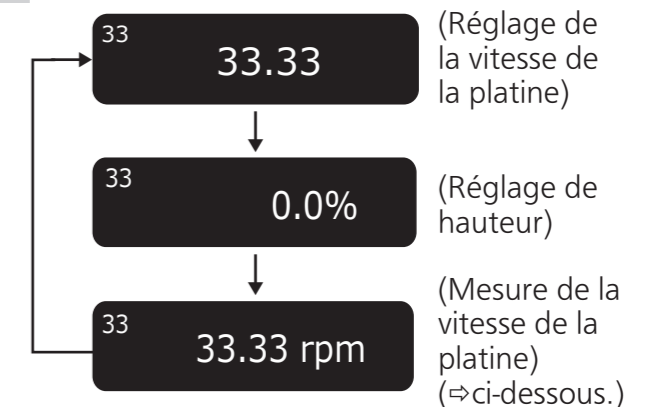
- La vitesse de la platine change chaque fois que la hauteur est réglée pendant que la platine tourne.



Changement du mode d'affichage

1 Appuyez sur [DISPLAY] sur l'unité de commande.

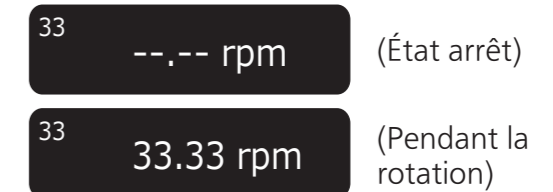
Chaque fois que vous appuyez sur [DISPLAY], le mode d'affichage change dans l'ordre suivant : « Réglage de la vitesse de la platine » \rightarrow « Réglage de la hauteur » \rightarrow « Mesure de la vitesse de la platine » \rightarrow « Réglage de la vitesse de la platine » \rightarrow ...



Mesure de la vitesse de la platine

La vitesse réelle de la platine peut être mesurée dans ce mode d'affichage. Commutez le mode d'affichage (voir plus haut) pour entrer dans ce mode.

- « rpm » apparaît après la valeur numérique.
- « --,-- rpm » apparaît lorsque la platine est arrêtée.



■ Fonctionnement pendant « Mesure de la vitesse de la platine »

Utiliser les touches comme ci-dessous change le mode d'affichage en « Réglage de la vitesse de la platine » vous permettant d'effectuer le réglage.

*Le mode d'affichage revient à « Mesure de la vitesse de la platine » si aucune opération n'est effectuée dans les trois secondes.

- [-]/[+]: La hauteur peut être réglée. (\Rightarrow 20)
- [RESET]: La valeur revient immédiatement à la vitesse de platine prescrite.
- [33/45/78]: La vitesse de la platine change à chaque pression de la touche.

Nota

- Une valeur moyenne est affichée.

Fonctionnement et affichage de l'unité de commande (suite)

Réglage du variateur de luminosité d'affichage

Le variateur de luminosité d'affichage est activé si l'unité de commande n'est pas utilisée pendant 20 secondes. Il y a quatre modèles de variation de luminosité.

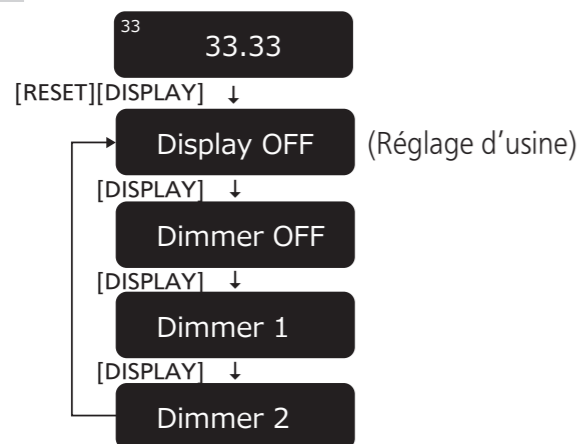
1 Sur l'unité de commande, maintenez enfoncée la touche [RESET], puis appuyez sur [DISPLAY].

- Le réglage du variateur de luminosité est affiché.

2 Appuyez sur [DISPLAY] sur l'unité de commande.

Le réglage change à chaque fois que [DISPLAY] est enfoncé. (⇒ ci-dessous.)

- L'affichage revient à l'affichage d'origine si aucune opération n'est effectuée dans les trois secondes.



Affichage	Variateur de luminosité de l'affichage lorsqu'aucune opération n'est effectuée au bout de 20 secondes
Display OFF	La luminosité est réduite d'un niveau. ⇒ (Aucune opération pendant cinq secondes supplémentaires) ⇒ La luminosité est réduite de deux niveaux. ⇒ (Aucune opération pendant cinq secondes supplémentaires) ⇒ Arrêt
Dimmer OFF	Aucune variation de luminosité (Toujours activé)
Dimmer 1	La luminosité est réduite d'un niveau.
Dimmer 2	La luminosité est réduite de deux niveaux.

- Après le réglage, la luminosité est immédiatement ajustée à la valeur de réglage. L'affichage s'éteint immédiatement si « Display OFF » est sélectionné.
- L'utilisation d'un bouton (n'importe quel bouton autre que le bouton d'alimentation) sur l'unité de commande lorsque le variateur de luminosité est actif, restitue la luminosité complète de l'affichage.

Nota

- Le réglage est sauvegardé. Lorsque l'appareil est mis sous tension la prochaine fois, le réglage actif quand l'alimentation a été coupée en dernier sera rétabli.

Réglage du couple pour faire tourner la platine à une vitesse constante

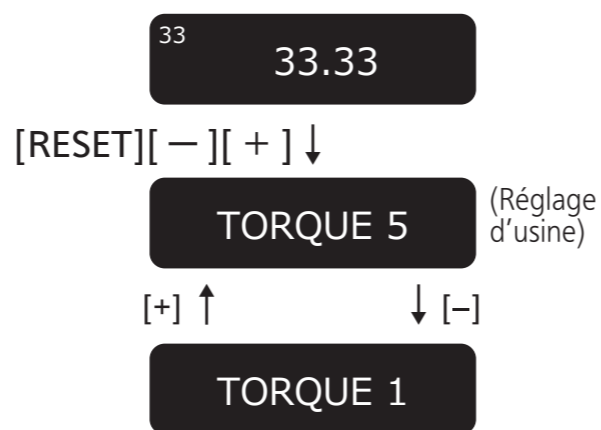
Appuyez sur le bouton [START • STOP], puis ajustez le couple (force de rotation) à cinq niveaux pour faire tourner la platine à une vitesse constante.

1 Sur l'unité de commande, maintenez enfoncée la touche [RESET], puis appuyez simultanément sur [-] et [+].

- Le réglage du couple est affiché.

2 Appuyez sur [+] ou [-] sur l'unité de commande pour effectuer l'ajustement.

- Sélectionnez l'un des cinq niveaux de « TORQUE1 » à « TORQUE5 ».
- Une pression sur la touche augmente ou diminue la valeur.
- Utilisez le tableau ci-dessous comme guide.
- L'affichage revient à l'affichage d'origine si aucune opération n'est effectuée dans les trois secondes.



Affichage	Couple pour tourner à une vitesse constante
TORQUE5	Maximum (Réglage d'usine)
TORQUE4	↑ ↓
TORQUE3	
TORQUE2	
TORQUE1	Minimum

Nota

- Le réglage est sauvegardé. Lorsque l'appareil est mis sous tension la prochaine fois, le réglage actif quand l'alimentation a été coupée en dernier sera rétabli.

Entretien

Nettoyage de l'unité principale

Essuyez l'unité principale et les autres composants avec un chiffon doux et sec.

Lorsque la poussière est tenace, essorez bien un chiffon humide pour essuyer la saleté, puis essuyez-la avec un chiffon doux.

- N'utilisez pas de solvants tels que benzine, diluant, alcool, détergent de cuisine, chiffon imprégné chimiquement, etc. L'utilisation de ces produits peut causer la déformation du boîtier extérieur ou le détachement du revêtement.

Déplacement de l'appareil

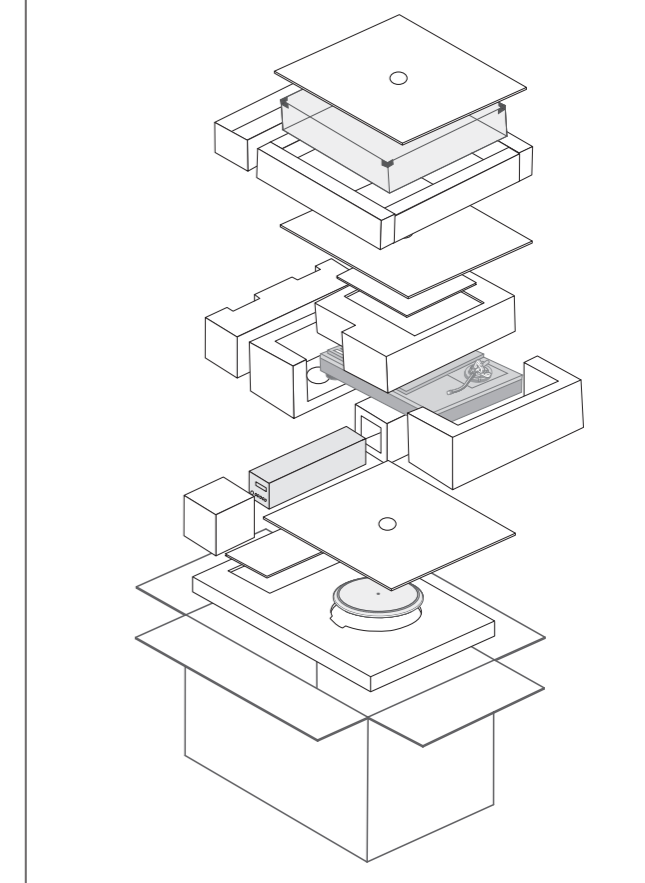
Remballez l'appareil dans son emballage original. (⇒ 12)

Gardez les matériaux d'emballage après avoir pris possession du matériel.

Si vous n'avez plus l'emballage, procédez comme suit :

- Retirez la platine et le tapis de platine et enveloppez-les avec précaution.
- Enveloppez soigneusement l'unité principale dans une couverture ou du papier.

Reconditionnement



Symbole DEEE

Mise au rebut du produit en dehors des pays de l'UE

- Ce symbole est valable dans l'UE seulement.
- Contactez un bureau gouvernemental local ou votre revendeur pour confirmer une manière correcte de mettre au rebut.

Guide de dépannage

Guide de dépannage Avant de faire appel au service, faites les vérifications ci-dessous. En cas de doute concernant certains des points à vérifier, ou si les solutions indiquées dans le tableau ne permettent pas de résoudre le problème, contactez votre revendeur.

Pas de courant.

- Le cordon d'alimentation secteur est-il branché ?
→ Insérez le cordon à fond. (⇒ 16)
- L'unité de commande est-elle connectée à l'unité principale ?
→ Insérez le câble de raccordement de l'unité de commande jusqu'à ce qu'il s'enclenche. (⇒ 16)

Aucune indication sur l'affichage de l'unité de commande.

- La fiche d'alimentation est-elle branchée ?
→ Insérez-la fermement. (⇒ 16)
- Le courant est-il allumé ?
→ Appuyez sur le bouton d'alimentation pour mettre l'appareil sous tension. (⇒ 18)
- Le variateur de luminosité d'affichage est-il activé ?
→ Actionnez une touche (n'importe quel bouton autre que le bouton d'alimentation) de l'unité de commande. (⇒ 22)

■ Code d'erreur

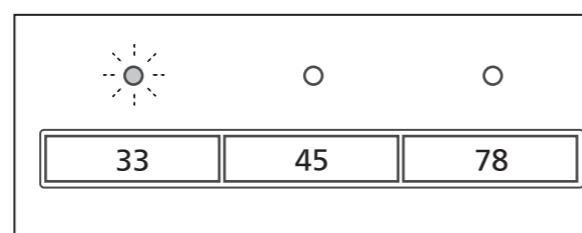
La survenue d'une erreur sera notifiée si nécessaire sur l'affichage de l'unité de commande et avec les indicateurs du bouton de sélection de vitesse de l'unité principale.

Affichage de l'unité de commande	Mesure
Unconnected	Vérifiez si l'unité de commande est connectée à l'unité principale. (⇒ 16)
F58 F76 F17	Consultez votre revendeur. <ul style="list-style-type: none"> • L'un des indicateurs des touches de sélection de vitesse [33/45/78] de l'unité principale clignote (lentement ou rapidement) en orange. • Indiquez le numéro affiché et l'état clignotant de la DEL au moment de la consultation.

(Exemple d'affichage de l'unité de commande en cas d'erreur)

Unconnected

(Exemple d'indicateurs de bouton de sélection de la vitesse de l'unité principale en cas d'erreur)
Clignote en orange.



Spécifications

Généralités	
Alimentation	110 - 240 V CA, 50/60 Hz
Consommation	10 W (Alimentation ON) 0,05 W (Alimentation OFF)
Dimensions (l × H × P)	<Unité de commande> 110×84×350 mm
	<Unité principale> 365×109×365 mm
Masse	<Unité de commande> Env. 2.1 kg
	<Unité principale> Env. 18.2 kg
Température de fonctionnement	0 °C à 40 °C
Humidité de fonctionnement	35 % à 80 % d'humidité relative (sans condensation)
Platine de lecture	
Système d'entraînement	Entraînement direct
Moteur	Moteur C.C. sans balai
Platine	Laito et aluminium moulé sous pression combinée Diamètre : 323 mm Masse : Env. 7,9 kg (y compris une feuille de caoutchouc)
Vitesses de rotation	33-1/3, 45 et 78* rpm
Plage de vitesse variable	± 16 %
Couple de démarrage	0,39 N·m (4,0 kg-cm)
Système de freinage	Frein électronique
Pleurage et scintillement	0,015 % W.R.M.S. (JIS C5521)
Section de borne	
Borne de sortie	Terminal de terre

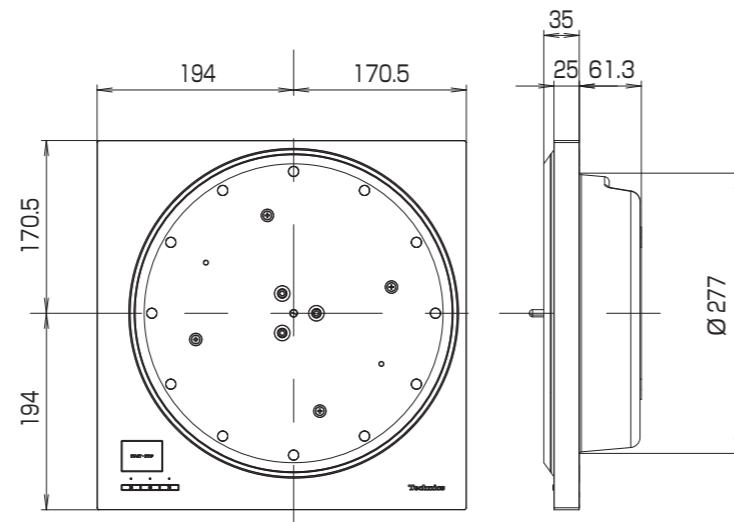
Spécifications sujettes à modifications sans préavis.

*La vitesse de la platine est de 78,26 rpm avec un régime de 78 rpm (contrôle de hauteur de 0,0%).

Dessins dimensionnels

■ Dimensions externes

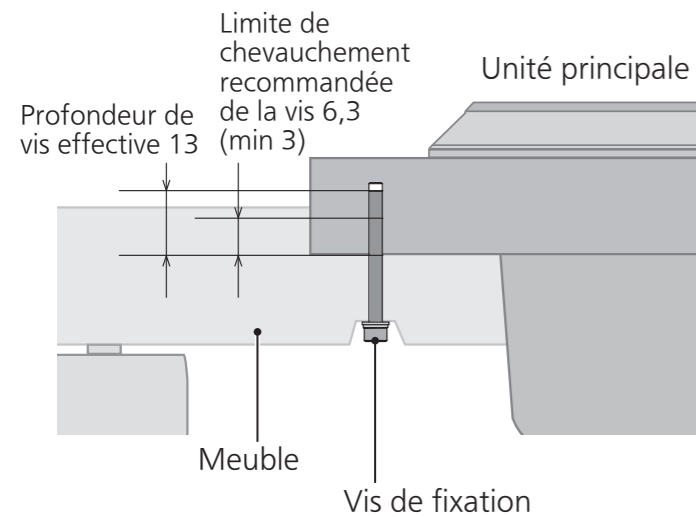
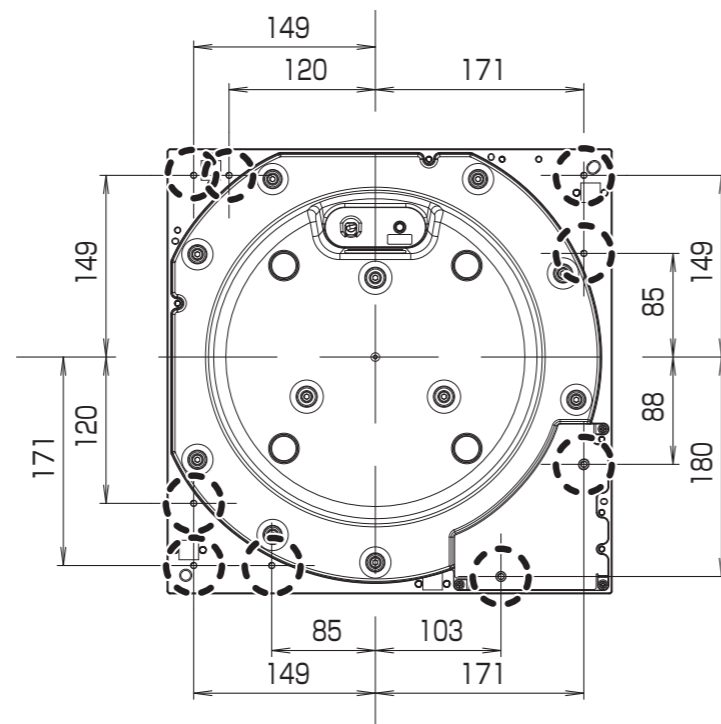
Sélectionnez un meuble qui correspond aux dimensions externes du lecteur.
< Unité : mm >



■ Emplacements des vis de fixation du meuble

Fixez le lecteur sur le meuble aux neuf positions (marquées d'une ligne pointillée) indiquées dans la figure de droite (la surface inférieure de l'unité principale). < Unité : mm >

- Vis de fixation : M5
- Voir la vue en coupe ci-dessous pour sélectionner la longueur des vis de fixation.



Introduzione

Grazie per avere acquistato questo prodotto.

Leggere attentamente queste istruzioni prima di utilizzare questo prodotto e conservare il presente manuale per uso futuro.

- Note sulle descrizioni contenute in queste istruzioni per l'uso
 - Le pagine da consultare sono indicate con "(⇒ 00)".
 - Le illustrazioni presenti nel manuale possono differire dal vostro apparecchio.

Caratteristiche

Motore ad azionamento diretto coreless per una rotazione regolare e precisa

- Il nuovo motore ad azionamento diretto coreless può ridurre il livello di vibrazioni durante la rotazione, garantendo una coppia elevata per l'attivazione del giradischi di alta classe.
- La tecnologia di controllo del motore ad alta precisione consente di cambiare la modalità di azionamento in base allo stato di funzionamento del motore per ottenere un'alta precisione di rotazione.

Giradischi a tre strati per una rotazione stabile

- La struttura del giradischi a tre strati è costituita da ottone, alluminio pressofuso e gomma antirumore ed evita la risonanza indesiderata ed è fissata alla superficie inferiore.
- I pesi di tungsteno denso si trovano all'esterno della parte in ottone per fornire una grande massa inerziale.

Speciale unità di controllo in grado di eliminare il rumore indesiderato con l'unità principale

- Il circuito di alimentazione e il circuito di controllo sono separati per ridurre al minimo le interferenze sonore indesiderate esterne con l'unità principale e sono contenuti in una singola unità di controllo.
- La nuova commutazione dell'alimentazione con circuito di riduzione del rumore è stata sviluppata per ridurre il rumore della tensione di alimentazione.

Compatibilità con SP-10MK2 e SP-10MK3

- Il lettore mantiene la forma inferiore e le posizioni delle viti di SP-10MK2 e SP-10MK3 in modo da poter continuare a utilizzare l'involucro e il braccio.

Sommario

● Prima dell'uso		Prima dell'uso
Precauzioni per la sicurezza	06	
Accessori.....	09	
Nomi dei componenti.....	10	
● Per iniziare		Per iniziare
Disimballaggio e preparazione.....	12	
● Note su come estrarre i componenti dalla confezione e sul trasporto	12	
Montaggio del giradischi.....	13	
● Prima di montare il lettore (per quanto riguarda l'involucro e il braccio).....	13	
● Montaggio sull'involucro	13	
● Montaggio del giradischi	15	
● Montaggio del tappetino del piatto	15	
Collegamenti e installazione	16	
● Collegamento dell'unità di comando / Collegamento della spina di alimentazione e della messa a terra	16	
● Installazione	17	
● In riproduzione		In riproduzione
Lettura dei dischi.....	18	
Controllo del tono (regolazione fine del tono)	20	
Funzionamento e visualizzazione dell'unità di controllo	21	
● Impostazione della velocità del giradischi.....	21	
● Commutazione della modalità di visualizzazione.....	21	
● Misurazione della velocità del giradischi.....	21	
● Impostazione del display del dimmer	22	
● Regolazione della coppia per far ruotare il giradischi a velocità costante	22	
● Manutenzione		Manutenzione
Manutenzione.....	23	
Guida alla risoluzione dei problemi	24	
Dati tecnici.....	25	
Disegni dimensionali	26	

Precauzioni per la sicurezza

ATTENZIONE

Unità

- Per ridurre il rischio d'incendio, folgorazioni o danni all'unità,
 - Non esporre questa unità alla pioggia, umidità, gocciolamenti o spruzzi.
 - Non posare oggetti contenenti liquidi, come un vaso di fiori, su questa unità.
 - Utilizzare solo gli accessori consigliati.
 - Non rimuovere le coperture.
 - Non riparare quest'unità da soli. Per qualsiasi riparazione rivolgersi a un tecnico qualificato.
 - Non introdurre oggetti metallici all'interno di questa unità.
 - Non appoggiare oggetti pesanti su questa unità.

Cavo di alimentazione CA

- Per ridurre il rischio d'incendio, folgorazioni o danni all'unità,
 - Accertarsi che la tensione di alimentazione corrisponda a quella indicata su questa unità.
 - Inserire fino in fondo la spina del cavo di alimentazione nella presa.
 - Non tirare, piegare, o appoggiare oggetti pesanti sul cavo di alimentazione.
 - Non maneggiare la spina con le mani bagnate.
 - Tenere la spina del cavo di alimentazione tra le dita quando la si scollega.
 - Non utilizzare una spina o una presa di rete danneggiate.
- La presa di rete è il dispositivo per scollegare. Installare l'unità in modo che la presa di rete possa essere scollegata immediatamente dalla presa di corrente.
- Assicurarsi che il perno della messa a terra sul cavo di alimentazione sia collegato saldamente per evitare scosse elettriche.
 - Un componente con costruzione di CLASSE I deve essere collegato ad una presa elettrica dotata di messa a terra di protezione.

AVVERTENZA

Unità

- Non mettere sull'unità sorgenti di fiamme nude, come candele accese.
- Durante l'uso, questa unità potrebbe essere soggetta all'interferenza radio causata dal cellulare. Se si dovesse verificare tale interferenza, aumentare la distanza tra questa unità e il cellulare.
- Questa unità è progettata per l'uso nei paesi con clima tropicale.
- Non posizionare oggetti sull'unità. L'unità si surriscalda mentre è accesa.
- Fare attenzione a non incastrare le mani e/o le dita nell'unità giradischi quando si monta il lettore.
- Utilizzare sempre due o più persone per estrarre e trasportare l'unità principale.

Collocazione

- Collocare questa unità su una superficie piana.
- Per ridurre il rischio d'incendio, folgorazioni o danni all'unità,
 - Per mantenere una buona ventilazione, non installare o sistemare questa unità in uno scaffale dei libri, armadietto incorporato od altro spazio ristretto.
 - Non ostruire le aperture di ventilazione di questa unità con giornali, tovaglie, tende ed altri oggetti simili.
 - Non esporre questa unità alla luce diretta del sole, a temperature elevate, a eccessiva umidità e a forti vibrazioni.
- Assicurarsi che la posizione di collocamento sia robusta abbastanza da reggere il peso dell'unità (⇒ 25).
- Non sollevare o trasportare questa unità tenendola per una manopola. Questo potrebbe causare la caduta dell'unità e conseguenti lesioni personali o malfunzionamento dell'unità.



Smaltimento di vecchie apparecchiature

Solo per Unione Europea e Nazioni con sistemi di raccolta e smaltimento

Questo simbolo sui prodotti, sull'imballaggio e/o sulle documentazioni o manuali accompagnanti i prodotti indica che i prodotti elettrici, elettronici non devono essere buttati nei rifiuti domestici generici.

Per un trattamento adeguato, recupero e riciclaggio di vecchi prodotti vi invitiamo a portarli negli appositi punti di raccolta secondo la legislazione vigente nel vostro paese.

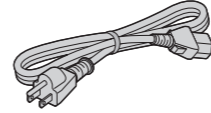
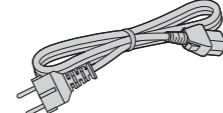
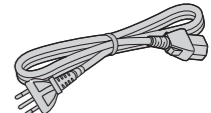
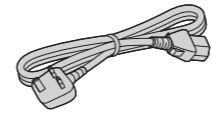
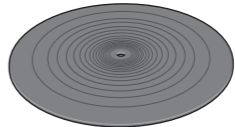
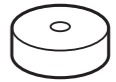
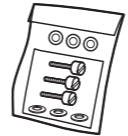
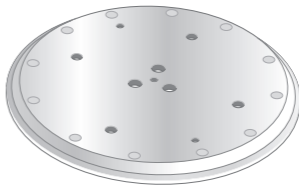
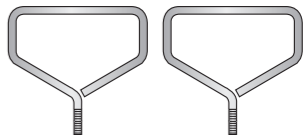
Con uno smaltimento corretto, contribuirete a salvare importanti risorse e ad evitare i potenziali effetti negativi sulla salute umana e sull'ambiente.

Per ulteriori informazioni su raccolta e riciclaggio, vi invitiamo a contattare il vostro comune.

Lo smaltimento non corretto di questi rifiuti potrebbe comportare sanzioni in accordo con la legislazione nazionale.

Accessori

In order to prevent damage during shipping some of the equipment has been disassembled. Please check and identify the supplied accessories.

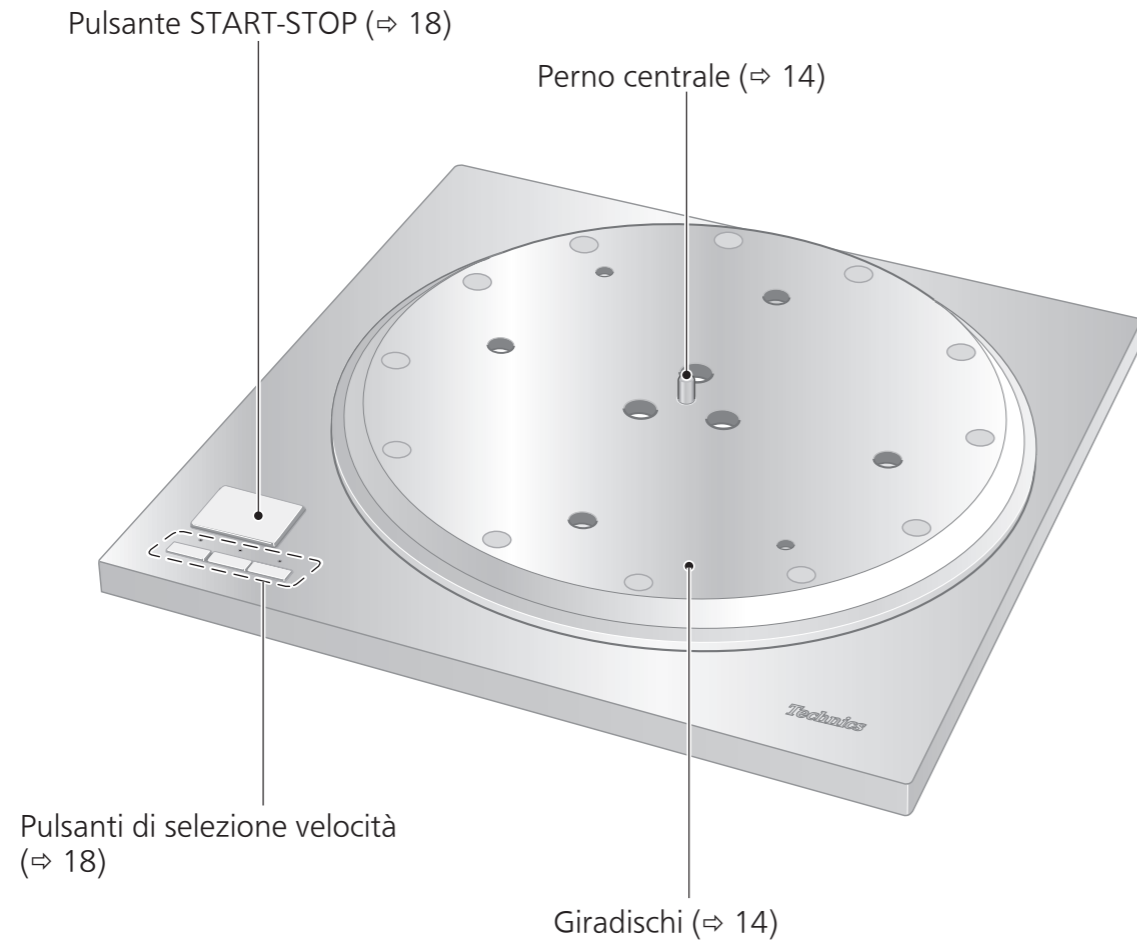
<p>Cavo di alimentazione CA (1 pz.) (K2CG3YY00191)</p> 	<p>Cavo di alimentazione CA (1 pz.) (K2CM3YY00041)</p> 	<p>Cavo di alimentazione CA (1 pz.) (K2CS3YY00033)</p> 
<p>Cavo di alimentazione CA (1 pz.) (K2CT3YY00081)</p> 	<p>Tappetino del piatto (1 pz.) (RGS0008)</p> 	<p>Adattatore disco EP (1 pz.) (TEKX077)</p> 
<p>Gruppo viti giradischi (1 gruppo) (TYL0194)</p> <ul style="list-style-type: none"> ● Viti lunghe (3 pz.) ● Rondelle (3 pz.) ● Molle a tazza (3 pz.) 	<p>Giradischi (1 pz.) (TYL0195)</p> 	<p>Maniglia rimovibile (2 pz.) (TXQ0020)</p> 

- I numeri di modello degli accessori fanno riferimento a febbraio 2018. Sono soggetti a modifiche senza preavviso.
- Conservare il materiale di imballaggio dopo aver estratto la merce. Può essere utile quando si trasporta il prodotto su lunghe distanze.
- Seguire le normative locali per lo smaltimento del prodotto.
- Non utilizzare altri cavi di alimentazione CA ad eccezione di quelli in dotazione.
- Tenere il peso ausiliario, le viti e le rondelle fuori dalla portata dei bambini per evitare che possano ingerirli.

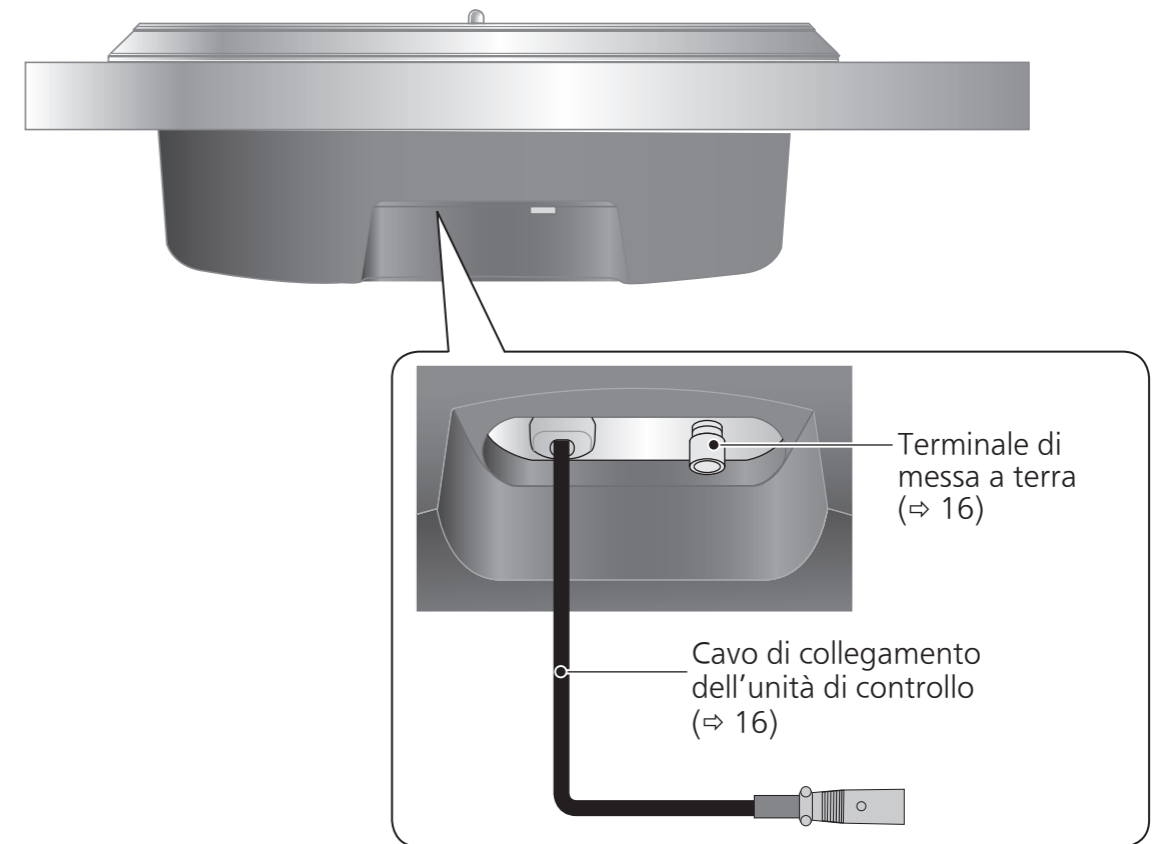
Nomi dei componenti

I numeri come (⇒ 00) indicano le pagine di riferimento.

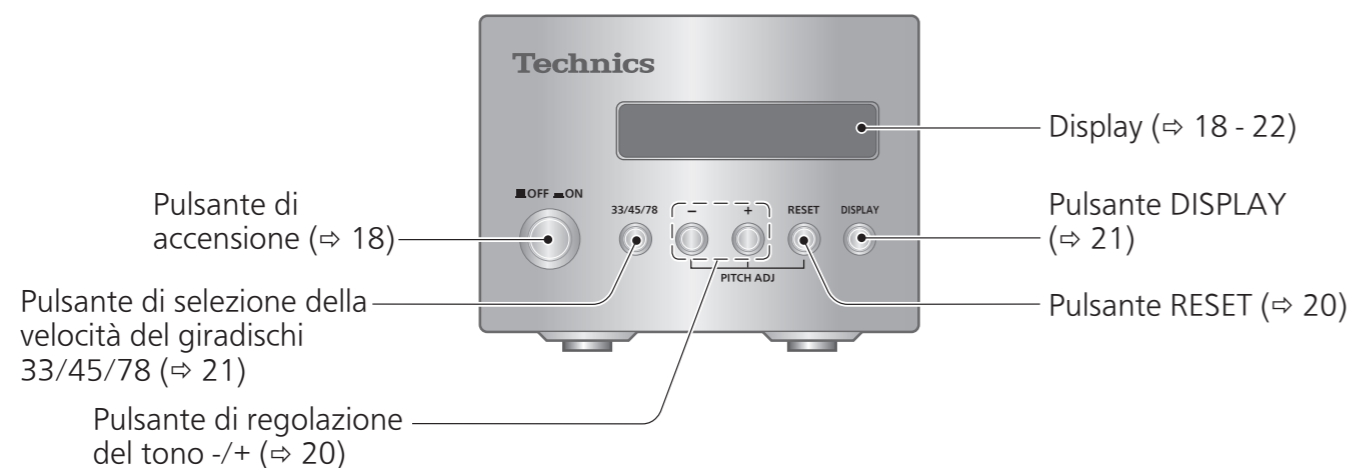
Unità principale (parte anteriore)



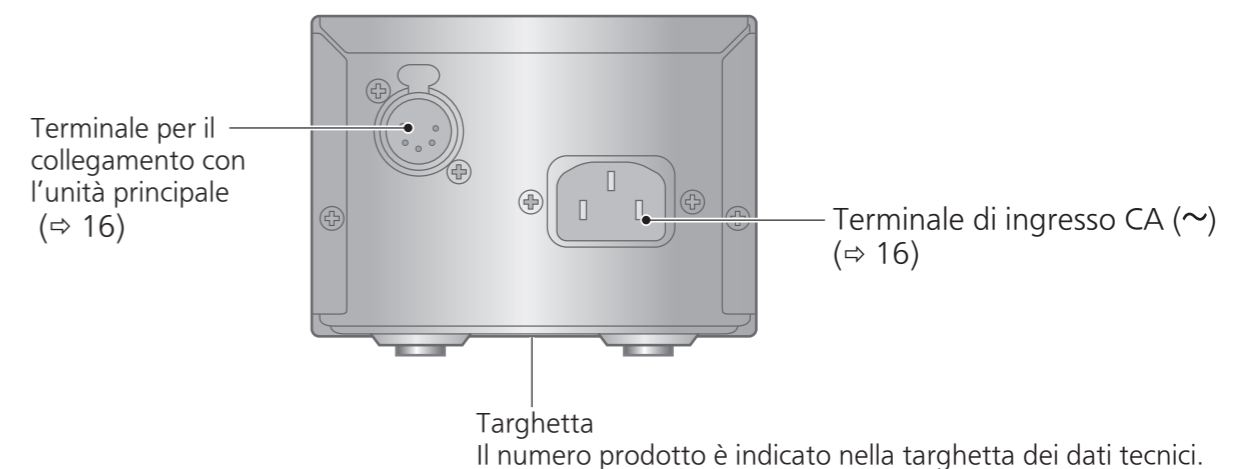
Unità principale (parte posteriore)



Unità di controllo (parte anteriore)



Unità di controllo (parte posteriore)



Disimballaggio e preparazione

Note su come estrarre i componenti dalla confezione e sul trasporto

Attenzione

- Utilizzare sempre due o più persone per estrarre e trasportare l'unità principale.
- Fare attenzione a non perdere l'equilibrio se si solleva l'unità con le mani in posizione non ottimale.
 - Ci si potrebbe far male alla schiena.
 - Si potrebbe perdere l'equilibrio su scale e simili, il che può causare lesioni.
- Fare attenzione a non schiacciarsi le dita quando si estrae l'unità principale.
- Fare attenzione a non schiacciarsi le dita nello spazio tra la parte inferiore dell'unità principale e il pavimento.
- Conservare il materiale di imballaggio dopo aver estratto i componenti.
- Estrarre i componenti dopo aver deciso la posizione di installazione.
- Per le note relative all'installazione, vedere "Installazione" (⇒17).

- ① Estrarre il piano del giradischi e le istruzioni per l'uso del giradischi.
- Tenere gli accessori fuori dalla portata dei bambini.
 - L'unità principale e l'unità di controllo sono avvolte in fogli di protezione.

- ② Inserire le mani tra i cuscini di imballaggio (area tratteggiata della vista dall'alto della scatola della confezione) e sollevare lentamente l'unità principale per estrarla. Eseguire sempre questa operazione con due o più persone.
- Fare attenzione quando si solleva l'unità principale.
 - Tenere l'unità principale dal basso per evitare che scivoli dalle mani.
 - Eseguire l'operazione con entrambe le mani per non perdere l'equilibrio.

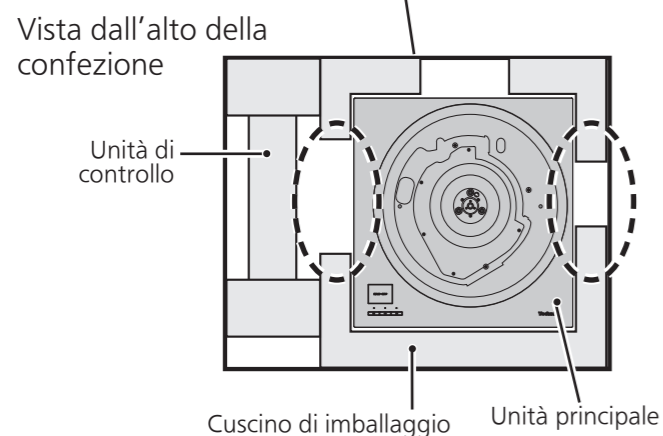
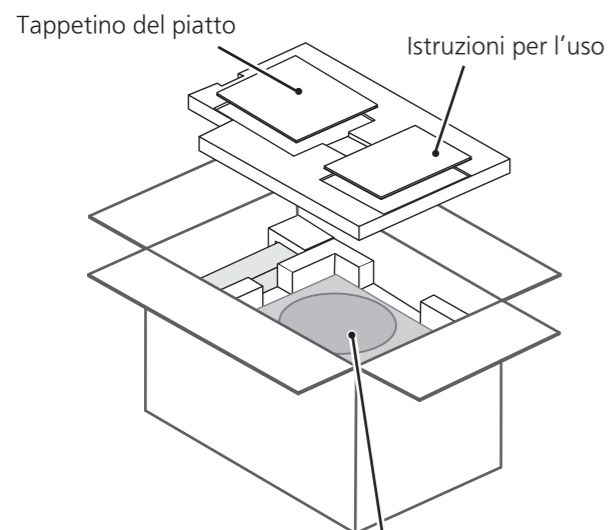
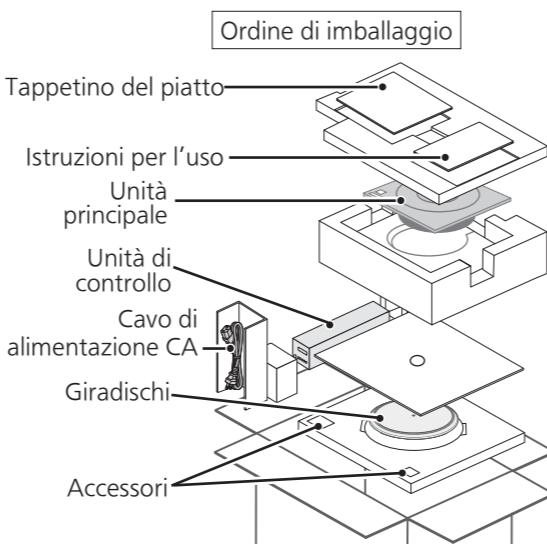
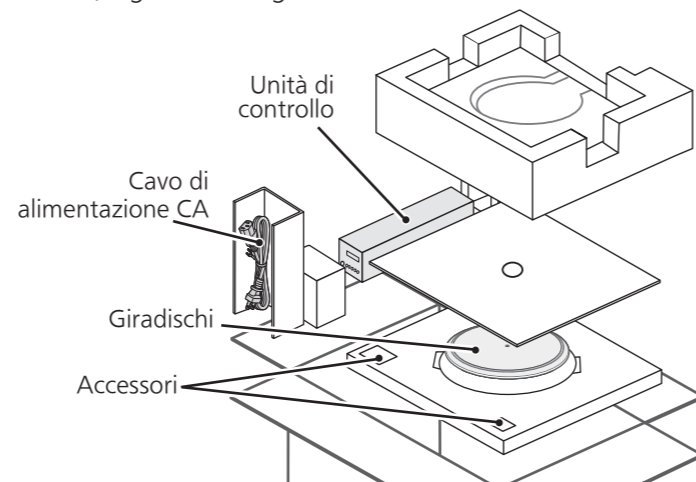


Immagine dell'operazione di sollevamento

- ③ Estrarre l'unità di controllo, il cavo di alimentazione CA, il giradischi e gli altri accessori.



Montaggio del giradischi

Prima di montare il lettore (per quanto riguarda l'involucro e il braccio)

■ Per quanto riguarda l'involucro

- Questo lettore mantiene la forma inferiore e le posizioni delle viti dei modelli SP-10MK2 e SP-10MK3 in modo da poter continuare a utilizzare l'involucro e il braccio per un sistema che utilizza SP-10MK2 o SP-10MK3.
- Questo modello di lettore è dotato di una coppia di avvio elevata. Per sfruttarne al massimo le sue caratteristiche e prestazioni, utilizzare un involucro robusto realizzato in un materiale spesso.
- Quando si sceglie un involucro, stabilire le dimensioni esterne in base alla lunghezza effettiva del braccio.
- Utilizzare isolanti solidi e resistenti per supportare l'involucro.
- Dimensioni di montaggio del lettore. (⇒26)

■ Per quanto riguarda il montaggio del braccio

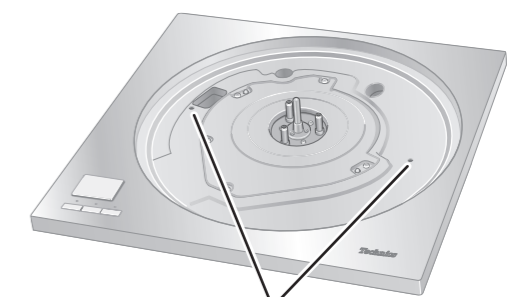
- Utilizzare la base del braccio venduta separatamente. Per i dettagli quali il metodo di montaggio, seguire le istruzioni d'uso della base del braccio e il foglietto illustrativo del braccio.

Montaggio sull'involucro

- 1 Serrare le viti della maniglia rimovibile nei fori di montaggio della maniglia rimovibile (due posizioni) sull'unità principale.

- 2 Sollevare lentamente l'unità principale e posizionarla sull'involucro.

- 3 Fissare l'unità principale all'involucro usando le viti.
- Montare seguendo le istruzioni operative dell'involucro.



Foro di montaggio della maniglia rimovibile

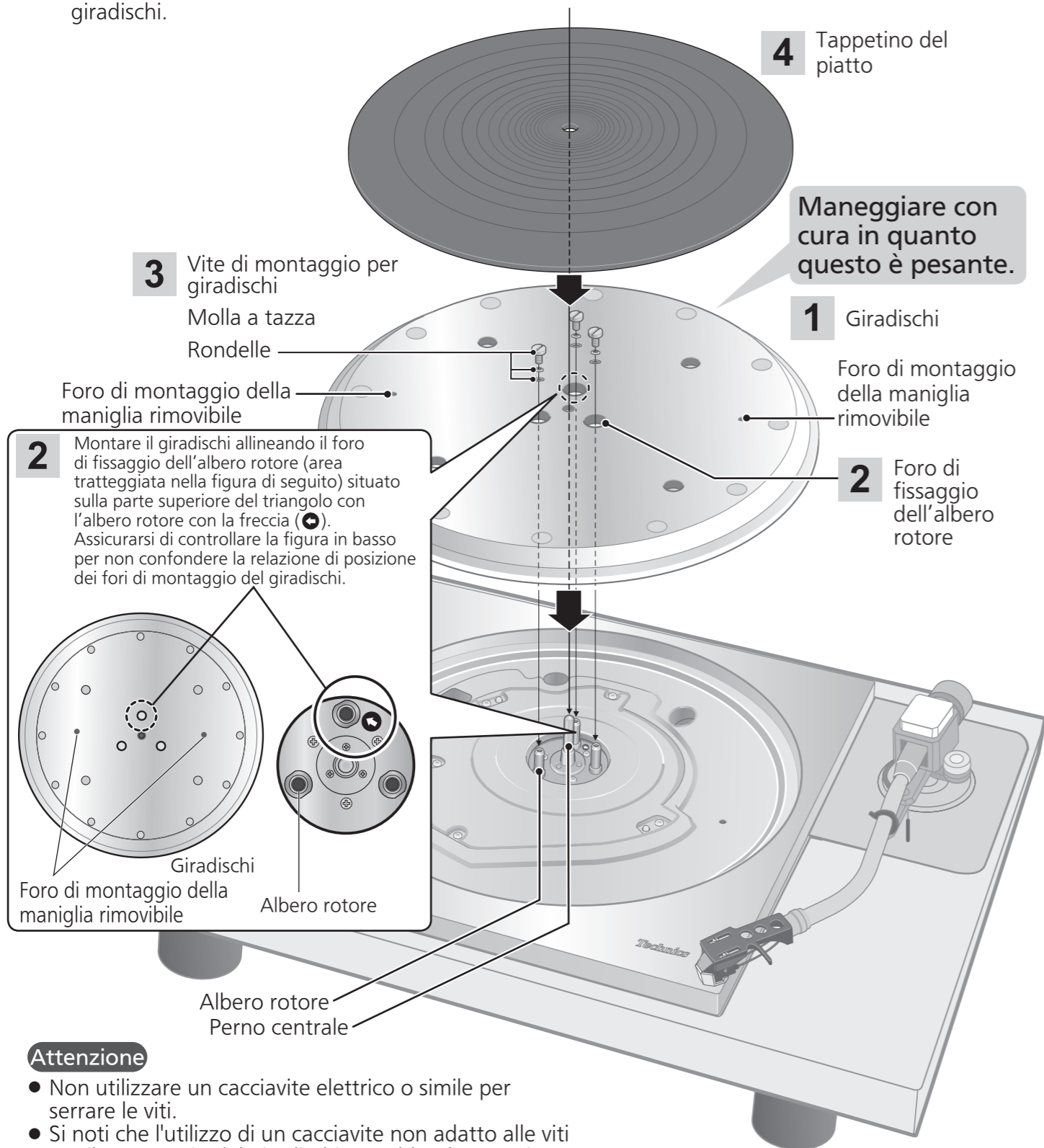


Montaggio del giradischi (continua)

Alcune parti sono state smontate per evitare danni durante la spedizione. Montare il giradischi nell'ordine seguente.

Attenzione

- Non collegare il cavo di alimentazione CA finché non si è completato il montaggio.
- Durante il montaggio del giradischi, evitare che corpi estranei penetrino tra l'unità principale e il giradischi.

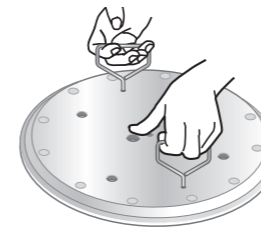


Attenzione

- Non utilizzare un cacciavite elettrico o simile per serrare le viti.
- Si noti che l'utilizzo di un cacciavite non adatto alle viti per il montaggio del giradischi potrebbe danneggiare l'unità principale.

Montaggio del giradischi

1



Serrare le viti della maniglia rimovibile nei fori di montaggio della maniglia rimovibile (due posizioni) sul giradischi.

Sollevare lentamente il giradischi e abbassarlo in modo da inserire il perno centrale nel foro centrale del giradischi.

Attenzione

- Serrare la maniglia rimovibile ruotandola 5 o più volte. Se è stata serrata fino in fondo, allentarla leggermente. Non serrare saldamente.
- Fare attenzione quando si maneggia il giradischi in quanto è pesante.
- Eliminare impronte digitali o sporco con un panno morbido.

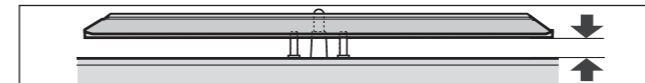
2

Abbassare lentamente il giradischi mentre si allineano i fori di fissaggio dell'albero rotore (tre posizioni) con gli alberi rotori.

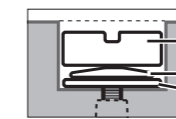
- Montare utilizzando l'albero del rotore con la freccia di riferimento come guida. (⇒ 14)

Attenzione

- Se gli alberi rotori non sono allineati, un divario rimane tra il piatto girevole e l'unità principale e non è possibile montare il giradischi in modo corretto. Non forzare il giradischi verso il basso.



3 Fissare le rondelle, le molle a tazza e viti per il giradischi ai fori di fissaggio dell'albero rotore, quindi serrare le viti di fissaggio in modo sicuro.



Vite di montaggio per giradischi
Molla a tazza
Rondelle

Attenzione

- Quando si serrano le viti, fare in modo che le teste delle viti sporgano dalla superficie superiore del giradischi.
- Serrare le tre viti in modo uniforme. In caso contrario, il giradischi potrebbe vibrare o ruotare in modo instabile. Assicurarsi che nessuna delle viti sia allentata.

Per rimuovere il giradischi

- ① Allentare le viti di montaggio per giradischi e rimuoverle.
-Conservare le viti, le molle a tazza e le rondelle attentamente.
- ② Serrare le viti della maniglia rimovibile nei fori di montaggio della maniglia rimovibile (due posizioni) sul giradischi e sollevare lentamente il giradischi verso l'alto.

Montaggio del tappetino del piatto

4 Appoggiare il tappetino sul piatto girevole.

Collegamenti e installazione

- Spegnere tutte le unità e scollegare il cavo di alimentazione CA dalla presa prima di effettuare i collegamenti.
- Ricollegare il cavo di alimentazione CA solo dopo aver completato tutti gli altri collegamenti.
- Leggere anche il manuale di istruzioni del dispositivo collegato.

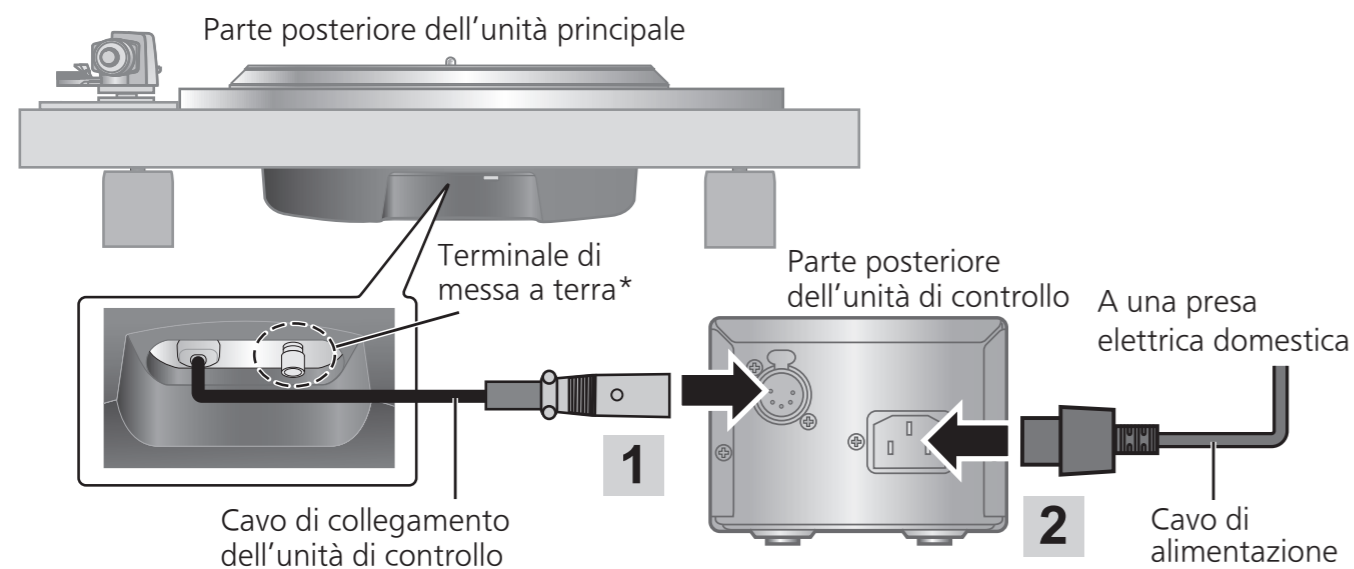
Collegamento dell'unità di comando / Collegamento della spina di alimentazione e della messa a terra

1 Collegare il cavo di collegamento dell'unità di controllo inserendolo finché non scatta in posizione.

2 Collegare il cavo di alimentazione CA.

3 Collegare la spina di alimentazione e la messa a terra.

- Controllare la potenza in watt della presa CA sull'apparecchio collegato prima di utilizzarlo per questa unità. (Questa unità consuma 10 W).



*Quando necessario, collegare il terminale di messa a terra dell'unità principale a quello dell'amplificatore tramite un cavo di messa a terra disponibile in commercio.

Nota

- L'interruttore di funzionamento non distacca l'intera unità dalla rete, anche se in posizione "OFF". Rimuovere la spina principale dalla presa elettrica se non si intende utilizzare l'unità per un lungo periodo di tempo. Posizionare l'unità in modo che la spina possa essere rimossa facilmente.

Installazione

■ Note per l'installazione

- Utilizzare sempre due o più persone per installare o spostare l'unità.
- Prima di spostare l'unità, rimuovere tutti i dispositivi collegati e spegnere l'alimentazione. Spostare l'unità con l'unità di controllo collegata potrebbe causarne la caduta e lesioni.
- Assicurarsi che l'unità non sia esposta alla luce diretta del sole, alla polvere, all'umidità o al calore di un calorifero.
- L'unità potrebbe captare interferenze dalla radio se presenti nelle vicinanze. Tenere l'unità quanto più lontano possibile da una radio.
- Non installare l'unità su una fonte di calore.
- Evitare luoghi con grandi variazioni di temperatura.
- Evitare luoghi con frequente formazione di condensa.
- Se sono necessarie misure antiribaltamento, consultare terze parti. Deve essere controllata la resistenza del pavimento e della parete.
- Evitare luoghi instabili.
- Assicurarsi che il luogo di installazione sia sufficientemente forte da sopportare il peso complessivo dell'unità e del sistema.
- Non posizionare oggetti sull'unità.
- Non installare l'unità in uno spazio ristretto, come una libreria.
- Installare l'unità in una posizione ben lontana da pareti o altri dispositivi per assicurare una dispersione del calore efficace dall'interno dell'unità.
- Non estrarre l'unità con forza dopo l'installazione. In caso contrario, si potrebbe danneggiare l'isolante o la superficie del pavimento.
- Notare che l'unità può essere danneggiata dal fumo di sigaretta o dall'umidità di un umidificatore ad ultrasuoni.

■ Condensa

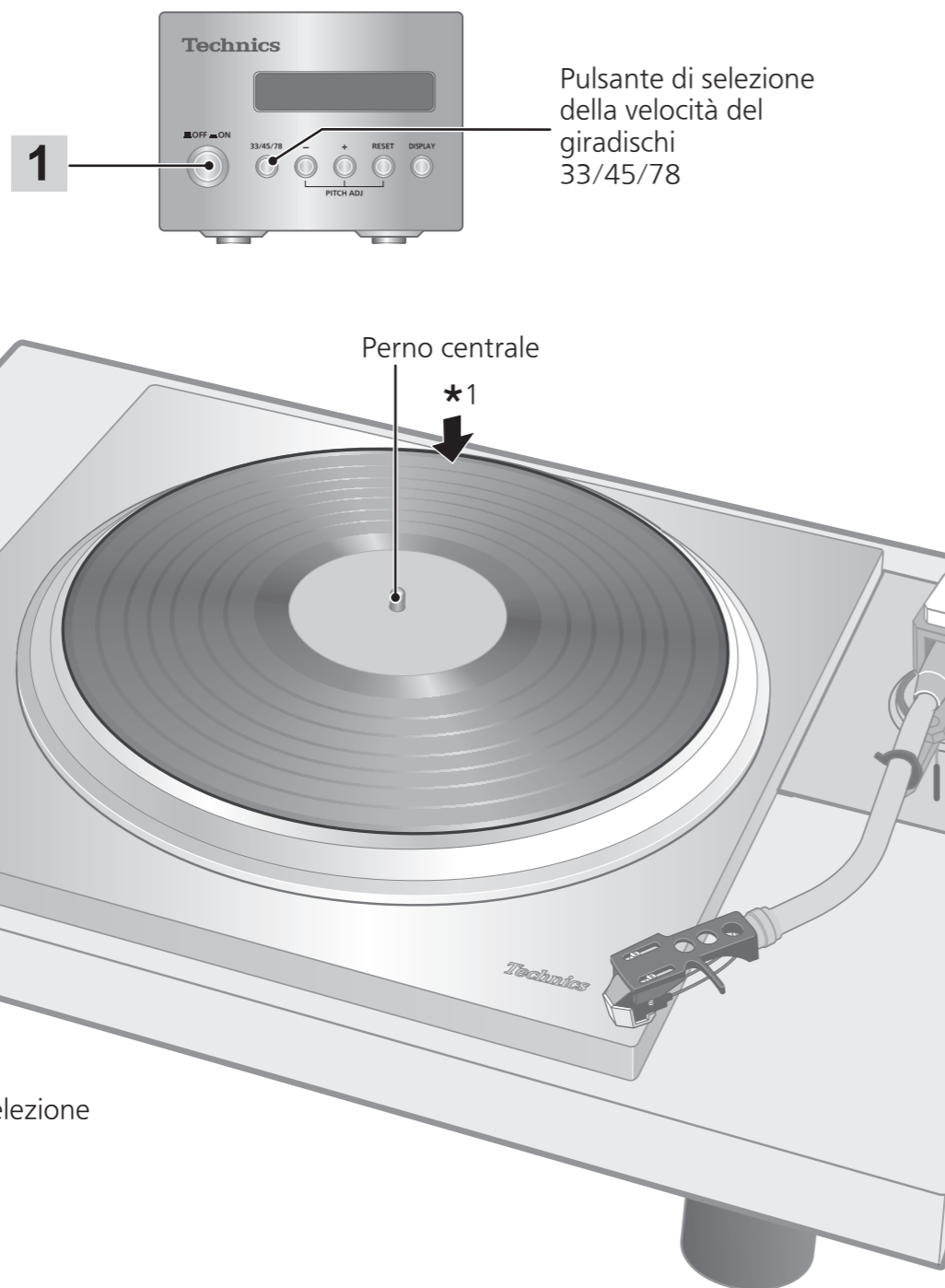
Pensare di prendere una bottiglia fredda dal frigorifero. Se la si lascia in una stanza per un po', delle gocce di rugiada si formeranno sulla superficie della bottiglia. Questo fenomeno è chiamato "condensa".

- Condizioni che causano la formazione di condensa
 - ◇ Rapida variazione di temperatura (causata spostando da un luogo caldo ad un luogo freddo o viceversa, rapido raffreddamento o riscaldamento, o esposizione diretta ad aria fredda)
 - ◇ Elevata umidità in una stanza con tanto vapore, ecc.
 - ◇ Stagione piovosa
- La condensa può danneggiare l'unità. Se ciò si verifica, spegnere l'unità e lasciarla finché non si adatta alla temperatura ambiente (circa da 2 a 3 ore).

Lettura dei dischi

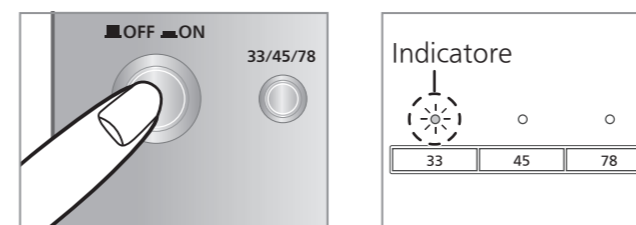
Preparazione

★1 Posizionare un disco (non incluso) sul giradischi.



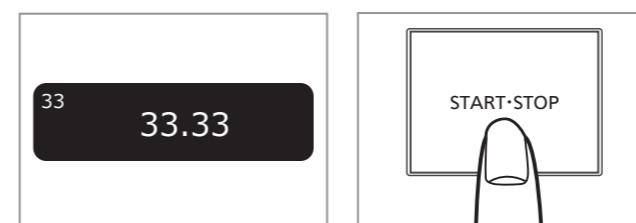
1 Premere il pulsante di accensione dell'unità di controllo per accendere.

La velocità viene automaticamente impostata su 33^{1/3} giri, l'indicatore [33] si accende sull'unità principale e la velocità del giradischi di [33,33] appare sul display dell'unità di controllo.



2 Premere [START-STOP].

Il giradischi inizia a girare.

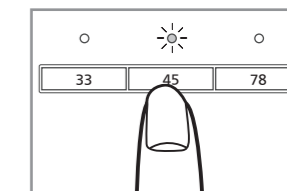


■ Quando la riproduzione termina

- ① Alzare la leva di sollevamento/abbassamento braccio e riportare il braccio sul braccio di lettura e abbassare la leva di sollevamento/abbassamento braccio.
- ② Premere [START-STOP]. L'arresto elettronico arresta delicatamente il giradischi.
- ③ Premere il pulsante di accensione dell'unità di controllo per spegnere.
- ④ Bloccare il braccio con il ferma braccio.
- ⑤ Riposizionare la protezione della puntina (per proteggere la puntina).

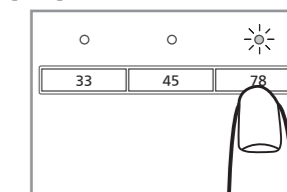
■ Quando si riproducono dischi EP

- Premere il pulsante di selezione della velocità [45] ([45] si accende).
- Montare l'adattatore dischi EP sul perno centrale.



■ Quando si riproducono dischi SP

- Premere contemporaneamente i pulsanti di selezione della velocità [78] ([78] si accendono).

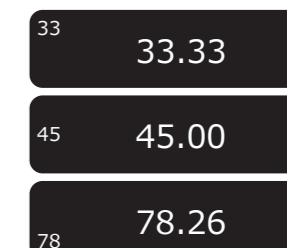


■ Quando si utilizza uno stabilizzatore di registrazione (non incluso)

- Vedere il manuale di istruzioni dello stabilizzatore del disco.
- Peso massimo: 1 kg

Nota

- Premendo [33/45/78] sull'unità di controllo si può anche cambiare la velocità di rotazione. (⇒ 21)



Attenzione

Non premere [START-STOP] quando il giradischi viene rimosso.

Controllo del tono (regolazione fine del tono)

1 Premere [-] o [+] sull'unità di controllo per effettuare la regolazione.

- Il tono può essere impostato ad un valore del $\pm 16\%$ dell'attuale velocità del giradischi [33/45/78].
- Il valore attualmente impostato appare sul display dell'unità di controllo. Il display varia a seconda della modalità di visualizzazione.
- (Commutazione della modalità di visualizzazione \Rightarrow 21)
- La velocità del giradischi cambia ogni volta che il tono viene impostato mentre il giradischi è in rotazione.

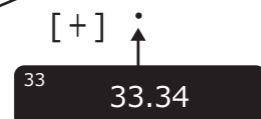
- Premendo il pulsante aumenta o diminuisce il valore.
- Tenendo premuto il pulsante aumenta o diminuisce.

■ Quando la modalità di visualizzazione è "Impostazione della velocità del giradischi"

La velocità del giradischi specificata



Il valore regolato (velocità del giradischi)



(Impostazione iniziale)



- Viene visualizzato il valore a due cifre decimali.
- La velocità di rotazione del giradischi può essere regolata in incrementi di $\pm 0,01$.



■ Quando la modalità di visualizzazione è "Impostazione del tono"

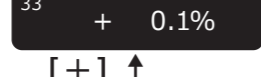
La velocità del giradischi specificata



Il valore regolato (percentuale)



(Impostazione iniziale)



- Viene visualizzato il valore a una cifra decimale.
- Il tono può essere regolato in incrementi di $\pm 0,1\%$.



■ Per tornare alla velocità del giradischi predefinita

Premere [RESET] sull'unità di controllo. Il valore ritorna immediatamente alla velocità del giradischi predefinita. (33^{1/3}, 45 o 78,26 rpm)

*L'unità di controllo visualizza l'impostazione predefinita.

La velocità del giradischi passa alla velocità del giradischi predefinita nella modalità di impostazione della velocità del giradischi e 0,0% nella modalità di impostazione del tono.

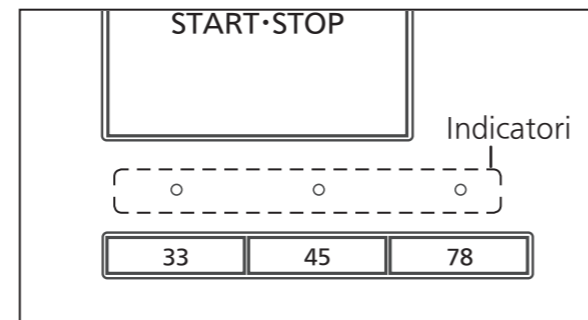
(Modalità di visualizzazione: Impostazione della velocità del giradischi)



(Modalità di visualizzazione: Impostazione del tono)



■ Indicatori del pulsante di selezione della velocità dell'unità principale durante il controllo del tono



- LED blu acceso: Senza controllo del tono (0,0%)
- LED arancione acceso: Durante il controllo del tono

Nota

- Il tono può essere impostato per ciascuna velocità del giradischi.
- La disattivazione del pulsante di accensione annulla l'impostazione del controllo del tono. Premere nuovamente il pulsante di alimentazione fa tornare il valore all'impostazione iniziale.

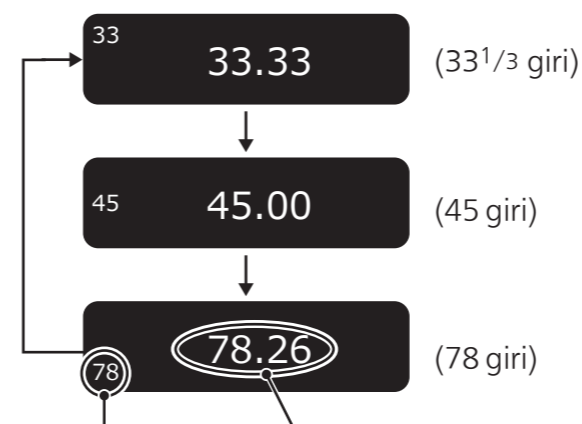
Funzionamento e visualizzazione dell'unità di controllo

Impostazione della velocità del giradischi

1 Premere [33/45/78] sull'unità di controllo.

Ogni volta che si preme [33/45/78], la velocità del giradischi cambia nell'ordine: "33" \rightarrow "45" \rightarrow "78" \rightarrow "33" \rightarrow ...

- La velocità del giradischi cambia ogni volta che il tono viene impostato mentre il giradischi è in rotazione.

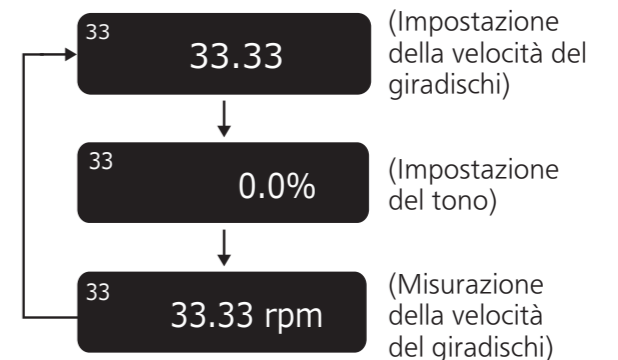


La velocità del giradischi specificata Il valore regolato (velocità del giradischi)

Commutazione della modalità di visualizzazione

1 Premere [DISPLAY] sull'unità di controllo.

Ogni volta che si preme [DISPLAY], la modalità di visualizzazione cambia nel seguente ordine: "impostazione della velocità del giradischi" \rightarrow "Impostazione del tono" \rightarrow "Misurazione della velocità del giradischi" \rightarrow "Impostazione della velocità del giradischi" \rightarrow ...



Misurazione della velocità del giradischi

La velocità effettiva del giradischi può essere misurata in questa modalità di visualizzazione.

Cambiare la modalità di visualizzazione (fare riferimento sopra) per attivare questa modalità.

- "rpm" viene visualizzato dopo il valore numerico.
- "-- rpm" appare quando il giradischi si è fermato.



■ Funzionamento durante "Misurazione della velocità del giradischi"

Utilizzando i pulsanti come di seguito, la modalità di visualizzazione passa a "Impostazione della velocità del giradischi" consentendo di effettuare l'impostazione.

*La modalità di visualizzazione torna a "Misurazione della velocità del giradischi" se non viene effettuata alcuna operazione entro tre secondi.

- [-]/[+]: Il tono può essere regolato. (\Rightarrow 20)
- [RESET]: Il valore ritorna immediatamente alla velocità del giradischi predefinita.
- [33/45/78]: La velocità del giradischi cambia ogni volta che si preme il pulsante.

Nota

- Viene visualizzato un valore medio.

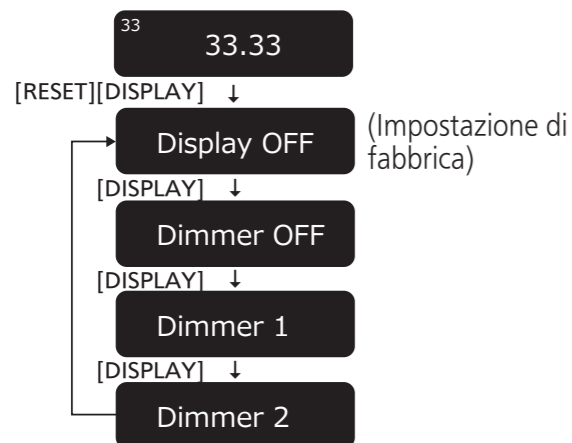
Impostazione del display del dimmer

Il display del dimmer viene attivato se l'unità di controllo non viene azionata per 20 secondi. Vi sono quattro modelli di smorzamento.

- Sull'unità di controllo, tenere premuto [RESET] e premere [DISPLAY].**
 - Viene visualizzata l'impostazione del dimmer.
- Premere [DISPLAY] sull'unità di controllo.**

L'impostazione cambia ogni volta che si preme [DISPLAY].

 - La visualizzazione torna a quella originale se non viene effettuata alcuna operazione entro tre secondi.



Display	Display del dimmer quando non viene eseguita alcuna operazione per 20 secondi
Display OFF	La luminosità viene ridotta di un livello. ⇒ (Nessuna operazione per altri cinque secondi) ⇒ La luminosità viene ridotta di due livelli. ⇒ (Nessuna operazione per altri cinque secondi) ⇒ Off
Dimmer OFF	Nessuna regolazione (sempre attiva)
Dimmer 1	La luminosità viene ridotta di un livello.
Dimmer 2	La luminosità viene ridotta di due livelli.

- Dopo l'impostazione, la luminosità viene subito regolata al valore impostato. Il display si spegne immediatamente se viene selezionato "Display OFF".
- La pressione di un pulsante (qualsiasi pulsante diverso da quello di accensione) sull'unità di controllo mentre il dimmer è attivo fa sì che la visualizzazione torni a piena luminosità.

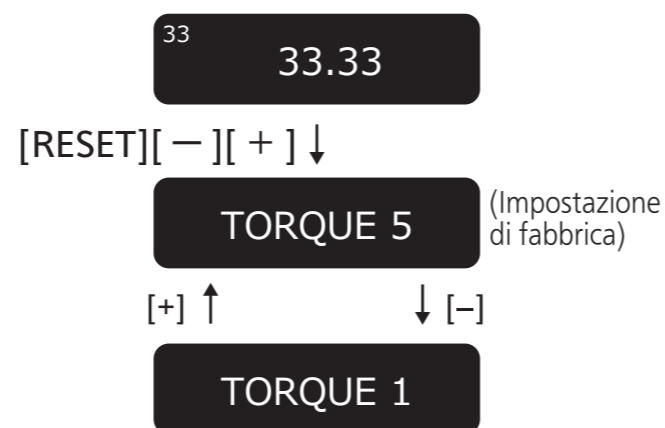
Nota

- L'impostazione viene salvata. Alla successiva accensione, viene ripristinata l'impostazione attiva quando il proiettore è stato spento l'ultima volta.

Regolazione della coppia per far ruotare il giradischi a velocità costante

Premere [START•STOP], quindi regolare la coppia (forza rotazionale) su cinque livelli per far ruotare il giradischi a velocità costante.

- Sull'unità di controllo, tenere premuto [RESET] e premere [-] e [+] contemporaneamente.**
 - Viene visualizzata l'impostazione della coppia.
- Premere [-] o [+] sull'unità di controllo per effettuare la regolazione.**
 - Selezionare uno dei cinque livelli da "COPPIA1" a "COPPIA5". Premendo il pulsante aumenta o diminuisce il valore.
 - Usare la tabella seguente come guida.
 - La visualizzazione torna a quella originale se non viene effettuata alcuna operazione entro tre secondi.



Display	Coppia per far ruotare a velocità costante
TORQUE5	Massima (Impostazione di fabbrica)
TORQUE4	↑ ↓
TORQUE3	
TORQUE2	
TORQUE1	Minima

Nota

- L'impostazione viene salvata. Alla successiva accensione, viene ripristinata l'impostazione attiva quando il proiettore è stato spento l'ultima volta.

Manutenzione

■ Pulizia dell'unità principale

Pulire l'unità principale e gli altri componenti con un panno morbido e asciutto.

Quando molto sporco, strizzare un panno umido per rimuovere lo sporco, quindi pulire con un panno morbido.

- Non utilizzare solventi come benzina, diluenti, alcool, detergente da cucina, un detergente chimico, ecc. Questo potrebbe causare la deformazione dell'involucro esterno o il distacco del rivestimento.

■ Spostamento dell'unità

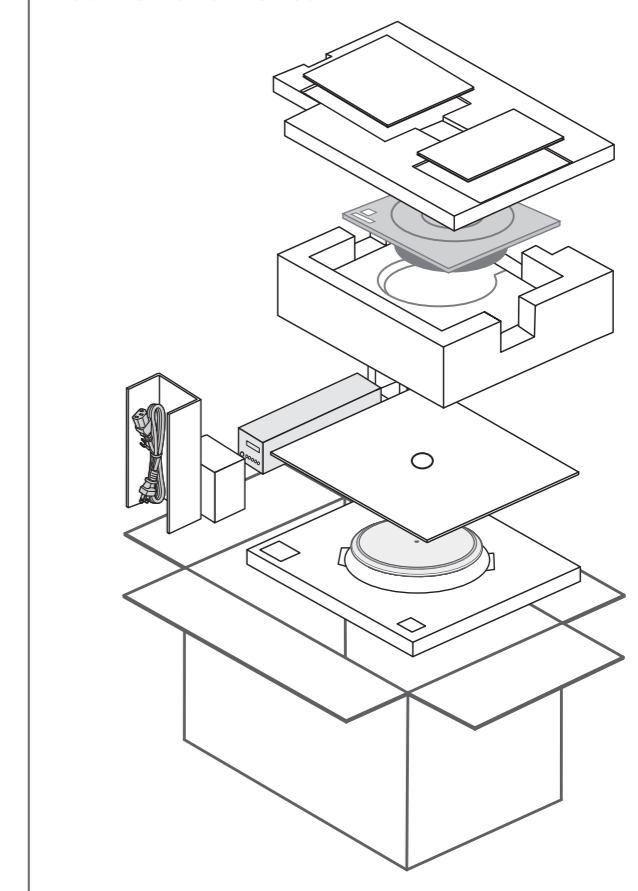
Imballare di nuovo l'unità nella sua scatola originale. (⇒ 12)

Conservare il materiale di imballaggio dopo aver estratto la merce.

Se non si è conservata la scatola originale, procedere come segue:

- Rimuovere il giradischi e il tappetino del piatto e imballarli con cura.
- Avvolgere con cura l'unità principale in una coperta o in carta.

Riconfezionamento



■ Simbolo RAEE

Lo smaltimento del prodotto al di fuori dei Paesi UE

- Questo simbolo è valido solo all'interno dell'Unione Europea. Contattare un ufficio governativo locale o il rivenditore per confermare un modo giusto di smaltimento.

Guida alla risoluzione dei problemi

Prima di richiedere assistenza, verificare quanto segue. In caso di dubbi su alcuni dei punti di controllo o nel caso in cui le soluzioni indicate nella tabella non risolvano il problema, contattare il proprio rivenditore.

L'unità non si accende.

- Il cavo di alimentazione CA è collegato alla presa elettrica?
→Collegarlo saldamente. (⇒ 16)
- L'unità di controllo è collegata con l'unità principale?
→Inserire il cavo di collegamento dell'unità di controllo finché non scatta in posizione. (⇒ 16)

Nessuna indicazione sul display dell'unità di controllo.

- La spina di alimentazione è collegata?
→Inserirla saldamente. (⇒ 16)
- L'alimentazione è attiva?
→Premere il pulsante di alimentazione per attivare l'alimentazione. (⇒ 18)
- Il display del dimmer è attivato?
→Premere un pulsante (un pulsante qualsiasi diverso da quello di accensione) sull'unità di controllo. (⇒ 22)

■ Codice di errore

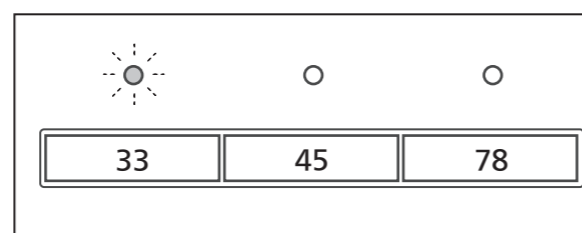
Il verificarsi di un errore verrà notificato, se necessario, sul display dell'unità di controllo e con gli indicatori del pulsante di selezione della velocità dell'unità principale.

Display dell'unità di controllo	Misurare
Unconnected	Assicurarsi che l'unità di controllo sia collegata con l'unità principale. (⇒ 16)
F58 F76 F17	Consultare il rivenditore. <ul style="list-style-type: none"> • Uno degli indicatori del pulsante di selezione della velocità [33/45/78] dell'unità principale lampeggia (rapidamente o lentamente) in arancione. • Fornire il numero visualizzato e lo stato del LED lampeggiante al momento della consultazione.

(Esempio di visualizzazione dell'unità di controllo in caso di errore)

Unconnected

(Esempio degli indicatori del pulsante di selezione della velocità dell'unità principale in caso di errore)
Lampeggia in arancione.



Dati tecnici

Generale	
Alimentazione	110 - 240 V CA, 50/60 Hz
Consumo di energia	10 W (unità accesa) 0,05 W (unità spenta)
Dimensioni (LxAxP)	<Unità di controllo> 110x84x350 mm <Unità principale> 365x109x365 mm
Peso	<Unità di controllo> Circa 2,1 kg <Unità principale> Circa 18,2 kg
Temperatura operativa	0 °C a 40 °C
Umidità di esercizio	35 % a 80 % RH (senza condensa)
Sezione giradischi	
Metodo di azionamento	Diretto
Motore	Motore CC senza spazzole
Piatto	Ottone e alluminio pressofuso combinati Diametro: 323 mm Peso: Circa 7,9 kg (incluso il piano del giradischi)
Velocità del giradischi	33-1/3, 45 e 78* rpm
Intervallo variabile del tono	±16 %
Coppia di avviamento	0,39 N•m (4,0 kg-cm)
Sistema di arresto	Elettronico
Oscillazioni e vibrazioni	0,015 % W.R.M.S. (JIS C5521)
Sezione terminale	
Terminale di uscita	Terminale di messa a terra

I dati tecnici sono soggetti a modifiche senza preavviso.

*La velocità del giradischi sarà 78,26 rpm quando impostata su 78 rpm (controllo del tono 0,0%).

Introducción

Muchísimas gracias por haber adquirido este aparato. Por favor, lea estas instrucciones atentamente antes de utilizar este producto y conserve este manual para futuras consultas.

- Acerca de las descripciones en este manual de instrucciones
 - Las páginas a consultar son indicadas como “(⇒ 00)”.
 - Las ilustraciones pueden ser diferentes a su unidad.

Características

Motor de accionamiento directo sin núcleo para una rotación suave y precisa

- El nuevo motor de accionamiento directo sin núcleo puede reducir pequeñas vibraciones causadas durante la rotación garantizando un par fuerte para conducir el plato giratorio de gran clase.
- La tecnología de control del motor de alta precisión cambia el modo de accionamiento en función del estado de funcionamiento del motor para lograr una alta precisión de giro.

Plato giratorio de tres capas para un giro estable

- La estructura de tres capas del plato giratorio está compuesta de latón, aluminio fundido y caucho fonoabsorbente que evitan resonancias no deseadas y que se encuentran adheridas en la superficie inferior.
- En la periferia exterior de la parte de latón hay pesos de tungsteno denso que proporcionan una gran masa inercial.

Unidad de control especial que puede eliminar las interferencias de ruido no deseado con la unidad principal

- El circuito de alimentación y el circuito de control están separados para minimizar las interferencias de ruido externo no deseado con la unidad principal y están almacenados en una sola unidad de control.
- La nueva fuente de alimentación de conmutación con circuito de reducción de ruido se ha desarrollado para reducir el ruido del suministro de tensión.

Compatibilidad con SP-10MK2 y SP-10MK3

- El tocadiscos conserva la forma del fondo y la ubicación de los tornillos de SP-10MK2 y SP-10MK3 para que pueda continuar utilizando su gabinete y brazo sonoro.

Índice

● Antes de usar

Precauciones de seguridad	06
Accesorios.....	09
Nombre de las piezas	10

Antes de usar

● Empezando

Desembalaje y preparación.....	12
● Notas para sacar los productos de la caja y transportarlos.....	12
Montaje del tocadiscos.....	13
● Antes de montar el tocadiscos (sobre el gabinete y brazo sonoro)	13
● Montaje en el gabinete	13
● Montaje del plato giratorio.....	15
● Montaje de la estera del plato giratorio	15
Conexiones e instalación	16
● Conexión de la unidad de control / Conexión de la clavija de alimentación y la toma a tierra	16
● Instalación.....	17

Empezando

● Reproducción

Reproducción de discos.....	18
Control del tono (ajuste fino al tono).....	20
Operación y visualización de la unidad de control	21
● Ajuste de velocidad del plato giratorio	21
● Cambio del modo de visualización	21
● Medición de la velocidad del plato giratorio.....	21
● Ajuste del atenuador de pantalla	22
● Ajuste el par para girar el plato giratorio a una velocidad constante	22

Reproducción

● Mantenimiento

Mantenimiento	23
Guía para la localización de las fallas	24
Especificaciones	25
Esquemas dimensionales	26

Mantenimiento

Precauciones de seguridad

AVISO

Unidad

- Para reducir el riesgo de incendio, descarga eléctrica o daño del producto,
 - No exponga esta unidad a la lluvia, humedad, goteo ni salpicaduras.
 - No coloque objetos llenos con líquidos, como floreros, sobre esta unidad.
 - Use solamente los accesorios recomendados.
 - No saque las cubiertas.
 - No repare esta unidad usted mismo. Consulte al personal de servicio calificado para la reparación.
 - No permita que objetos de metal caigan dentro de esta unidad.
 - No ponga objetos pesados en esta unidad.

Cable de alimentación de CA

- Para reducir el riesgo de incendio, descarga eléctrica o daño del producto,
 - Asegúrese de que el voltaje de alimentación corresponda al voltaje impreso en esta unidad.
 - Inserte por completo el enchufe del cable de alimentación en la toma de CA.
 - No tire, doble o coloque elementos pesados sobre el cable de alimentación.
 - No manipule el enchufe con las manos mojadas.
 - Agarre el cuerpo del enchufe del cable de alimentación al desconectar el enchufe.
 - No use un enchufe del cable de alimentación o toma de CA dañado.
- El enchufe de conexión a la red eléctrica es el dispositivo de desconexión. Instale esta unidad de forma que el enchufe de conexión a la red eléctrica pueda desenchufarse de la toma de forma inmediata.
- Asegúrese de que el terminal de conexión a tierra de la clavija de alimentación esté conectado firmemente para evitar descargas eléctricas.
 - Un aparato de fabricación CLASE I deberá ser conectado a una toma de corriente con una conexión a tierra protectora.

ADVERTENCIA

Unidad

- No coloque objetos con llama descubierta, una vela por ejemplo, encima de la unidad.
- Esta unidad puede tener interferencias de radio causadas por teléfonos móviles durante su utilización. Si tales interferencias resultan evidentes, aumente la separación entre la unidad y el teléfono móvil.
- Esta unidad se diseñó para ser utilizada en climas tropicales.
- No coloque ningún objeto en la unidad. Esta unidad se calienta mientras está encendida.
- Tenga cuidado de no pillarse las manos y/o los dedos en la unidad del plato giratorio al montar el tocadiscos.
- Siempre use dos o más personas para sacar y transportar la unidad principal.

Ubicación

- Coloque esta unidad sobre una superficie pareja.
- Para reducir el riesgo de incendio, descarga eléctrica o daño del producto,
 - Para mantener bien ventilada esta unidad, no la instale ni ponga en un estante de libros, mueble empotrado u otro espacio de dimensiones reducidas.
 - No obstruya las aberturas de ventilación de la unidad con periódicos, manteles, cortinas u objetos similares.
 - No exponga esta unidad a la luz solar directa, altas temperaturas, mucha humedad y vibración excesiva.
- Asegúrese de que la ubicación de colocación es lo suficientemente resistente como para acomodar el peso de esta unidad (⇒ 25).
- No eleve o transporte este aparato sosteniéndolo por alguna de sus perillas. De hacerlo, el aparato podría caerse y causar lesiones personales o un funcionamiento defectuoso de este aparato.



Eliminación de Aparatos Viejos

Solamente para la Unión Europea y países con sistemas de reciclado.

Este símbolo en los productos, su embalaje o en los documentos que los acompañen significa que los productos eléctricos y electrónicos usadas no deben mezclarse con los residuos domésticos.

Para el adecuado tratamiento, recuperación y reciclaje de los productos viejos llévelos a los puntos de recogida de acuerdo con su legislación nacional.

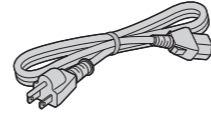
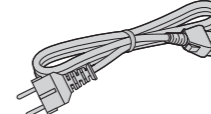
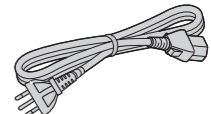
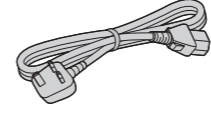
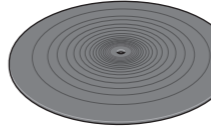
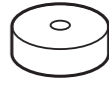

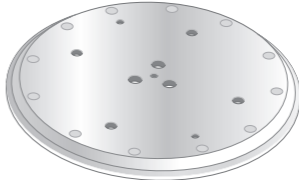
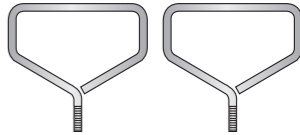
Si los elimina correctamente ayudará a preservar valiosos recursos y evitará potenciales efectos negativos sobre la salud de las personas y sobre el medio ambiente.

Para más información sobre la recogida u reciclaje, por favor contacte con su ayuntamiento.

Puede haber sanciones por una incorrecta eliminación de este residuo, de acuerdo con la legislación nacional.

Accesorios

Para impedir daños durante el transporte, algunas partes del equipo han sido desmontadas. Verifique e identifique los accesorios suministrados.

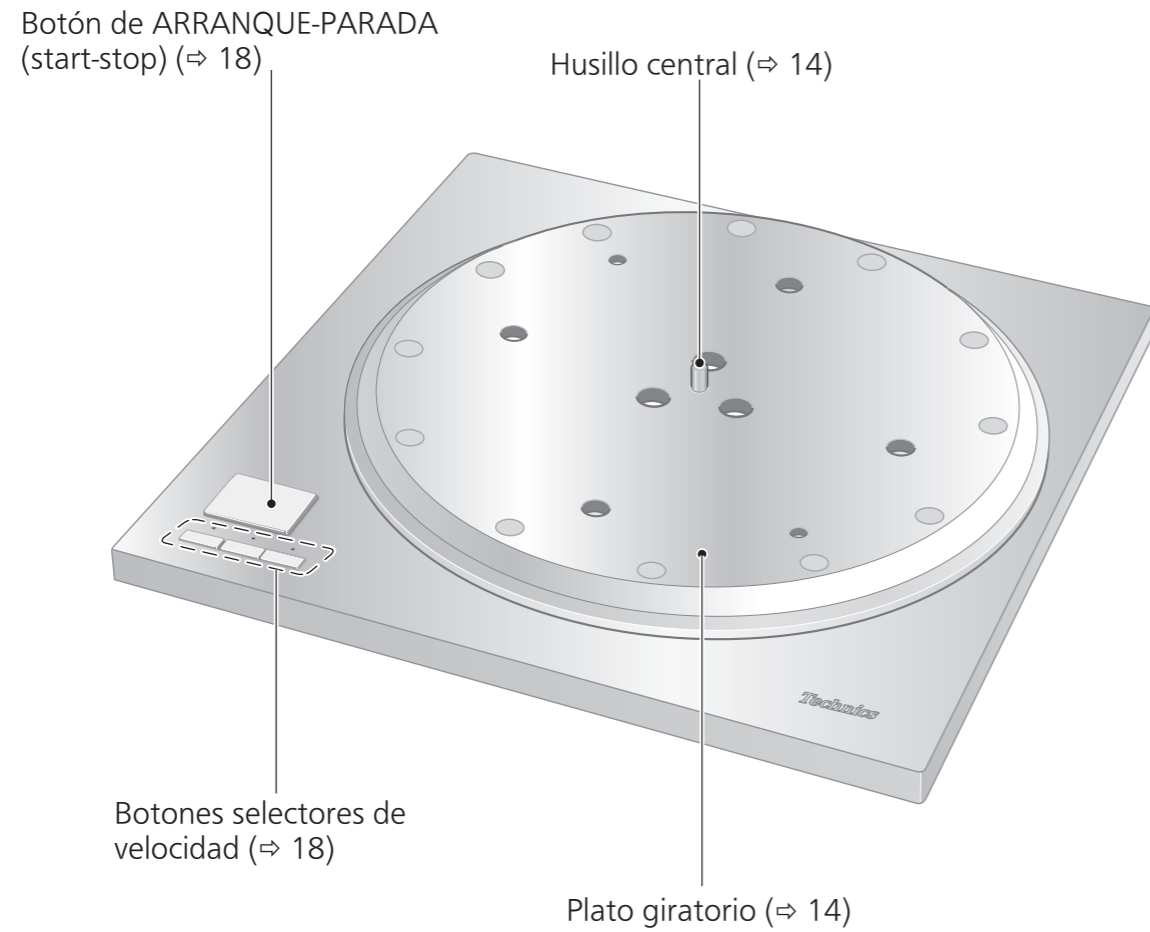
<p>Cable de alimentación CA (1 pza.) (K2CG3YY00191)</p> 	<p>Cable de alimentación CA (1 pza.) (K2CM3YY00041)</p> 	<p>Cable de alimentación CA (1 pza.) (K2CS3YY00033)</p> 
<p>Cable de alimentación CA (1 pza.) (K2CT3YY00081)</p> 	<p>Almohadilla del plato giratorio (1 pza.) (RGS0008)</p> 	<p>Adaptador para discos EP (1 pza.) (TEKX077)</p> 
<p>Juego de tornillos para el plato giratorio (1 juego) (TYL0194)</p> <ul style="list-style-type: none"> ● Tornillos largos (3 pzas.) ● Arandelas (3 pzas.) ● Muelles Belleville (3 pzas.) 	<p>Plato giratorio (1 pza.) (TYL0195)</p> 	<p>Manija desmontable (2 pza.) (TXQ0020)</p> 

- Los números de modelo de los accesorios son con fecha de febrero de 2018. Están sujetos a cambios sin previo aviso.
- Conserve los materiales de embalaje una vez extraídas las mercancías. Los necesitará cuando transporte el producto largas distancias.
- Siga las normas locales al deshacerse del producto.
- No utilice ningún otro cable de alimentación de CA que no sea el suministrado.
- Mantenga el peso auxiliar, los tornillos y las arandelas fuera del alcance de los niños para evitar su ingestión accidental.

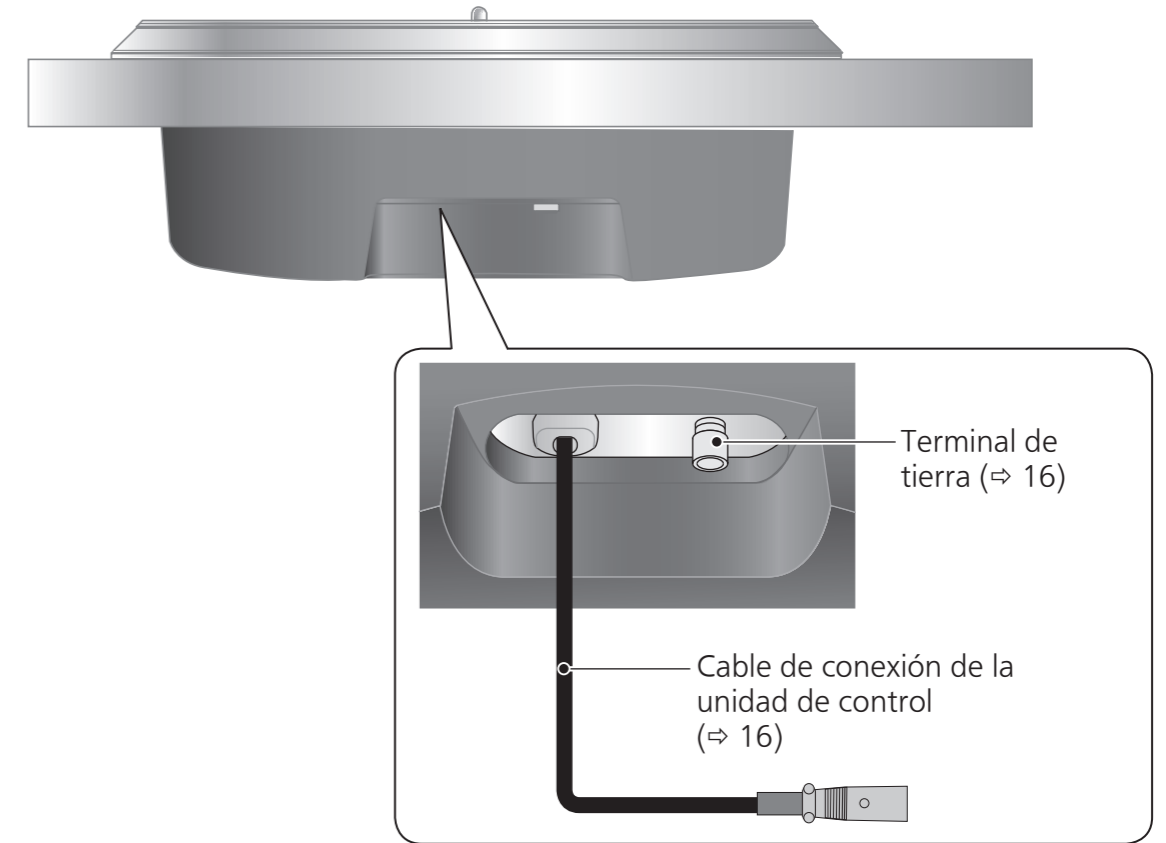
Nombre de las piezas

Números como (⇒ 00) indican las páginas de referencia.

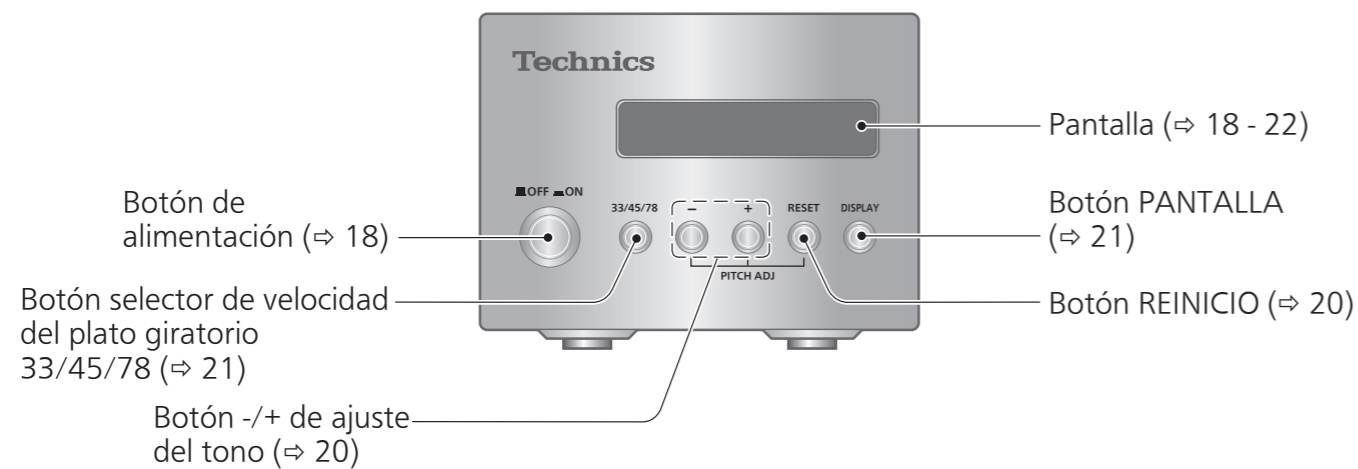
Unidad principal (parte delantera)



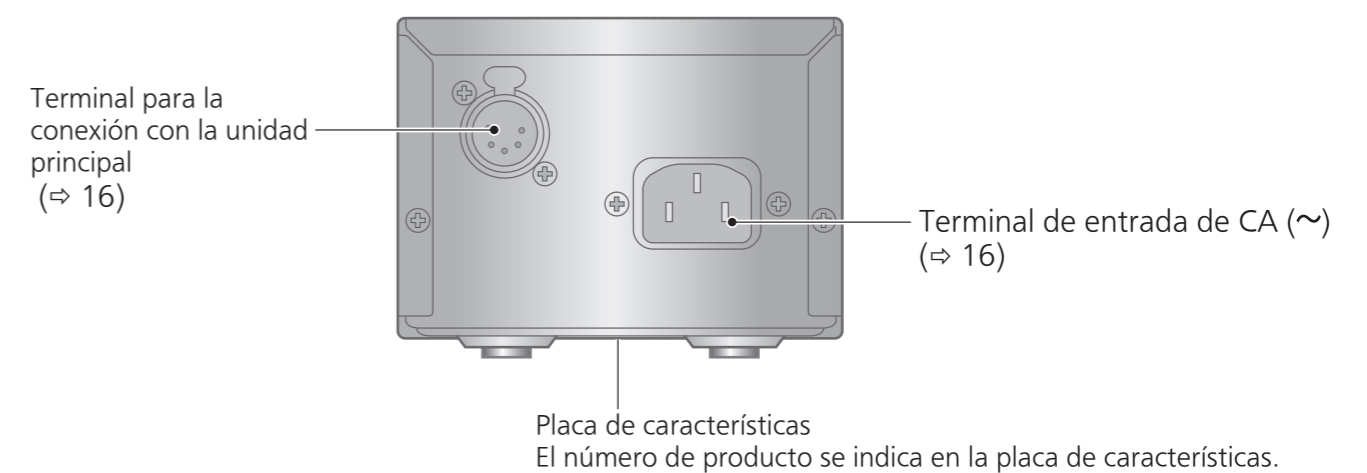
Unidad principal (parte trasera)



Unidad de control (parte delantera)



Unidad de control (parte trasera)



Desembalaje y preparación

Notas para sacar los productos de la caja y transportarlos

Atención

- Siempre use dos o más personas para sacar y transportar la unidad principal.
- Tenga cuidado de no perder el equilibrio si levanta la unidad con las manos en una posición no óptima.
 - Podría lesionarse la espalda.
 - Podría perder el equilibrio en escaleras y similares, lo cual podría causar lesiones.
- Tenga cuidado de no pillarse los dedos al extraer la unidad principal.
- Tenga cuidado de no pillarse los dedos en el espacio entre la parte inferior de la unidad principal y el suelo.
- Conserve los materiales de embalaje una vez extraídas las mercancías.
- Saque los productos después de decidir el lugar de instalación.
- Para obtener información sobre la instalación, consulte "Instalación" (⇒17).

- ① Extraiga la lámina del plato giratorio y el manual de instrucciones.
- Guarde los accesorios fuera del alcance de los niños.
 - La unidad principal y la unidad de control están envueltas en láminas protectoras.

- ② Coloque las manos entre los cojines de embalaje (área de línea punteada de la vista superior de la caja de embalaje) y levante lentamente la unidad principal para sacarla.
- Lleve siempre a cabo esta tarea con la ayuda de dos o más personas.
- Tenga cuidado cuando levante la unidad principal.
 - Mantenga sujeta la unidad principal por la parte inferior para evitar que se resbale de las manos.
 - Realice la tarea con ambas manos para no perder el equilibrio.

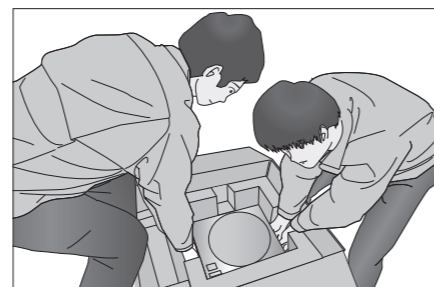
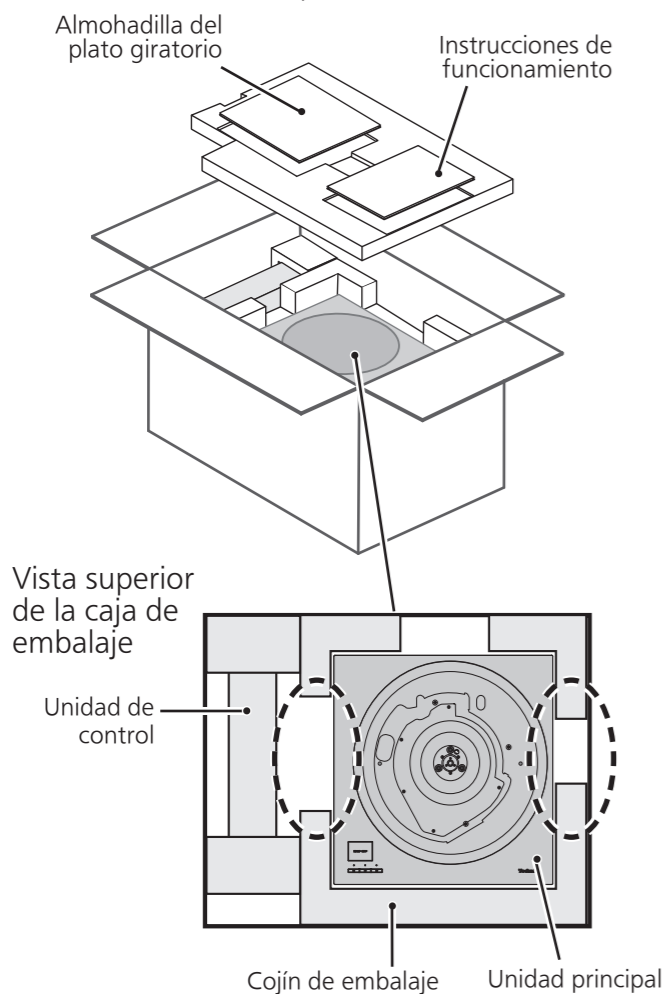
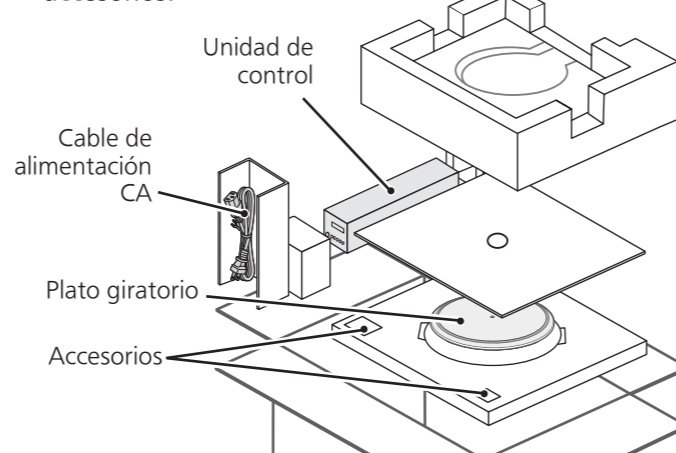


Imagen de la tarea de elevación

- ③ Extraiga la unidad de control, el cable del suministro de alimentación de CA, el plato giratorio y otros accesorios.



Montaje del tocadiscos

Antes de montar el tocadiscos (sobre el gabinete y brazo sonoro)

■ Acerca del gabinete

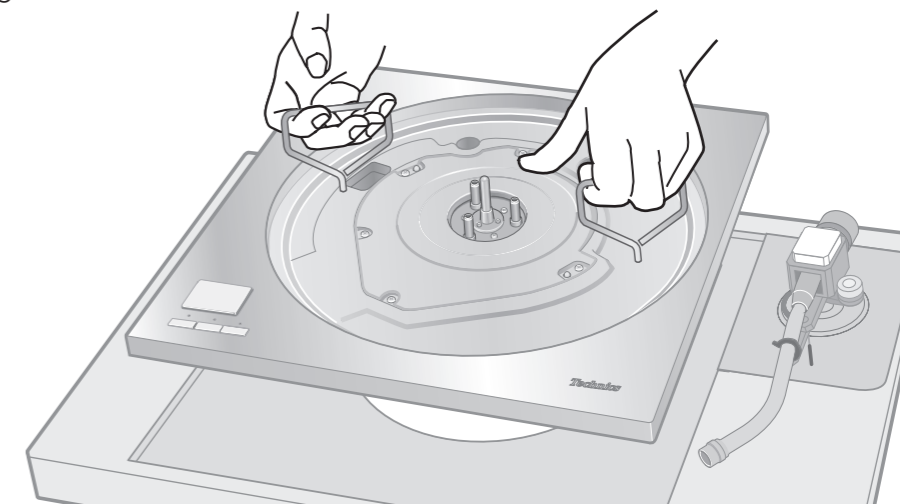
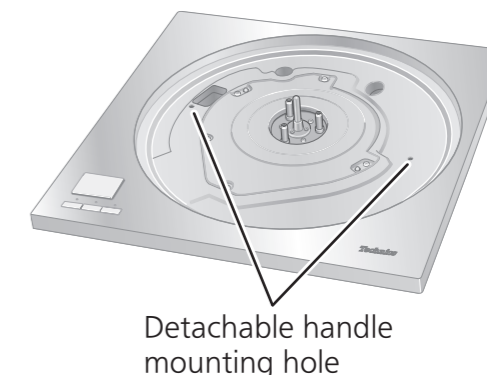
- Este tocadiscos conserva la forma del fondo y la ubicación de los tornillos de SP-10MK2 y SP-10MK3 de modo que pueda continuar usando su gabinete y el brazo sonoro para un sistema que utilice SP-10MK2 o SP-10MK3.
- Este tocadiscos es un modelo con un gran par de arranque. Para aprovechar completamente sus características y rendimiento, use un gabinete pesado hecho de un material grueso.
- Al elegir un gabinete, decida sus dimensiones externas en función de la longitud efectiva de su brazo sonoro.
- Use aisladores sólidos y fuertes para sostener el gabinete.
- Dimensiones de montaje del tocadiscos (⇒26)

■ Acerca del montaje del brazo sonoro

- Use la base del brazo sonoro que se vende por separado. Para detalles tales como el método de montaje, siga las instrucciones de funcionamiento de la base del brazo sonoro y del folleto del brazo sonoro.

Montaje en el gabinete

- 1 Apriete los tornillos de la manija desmontable en los orificios de montaje de la manija desmontable (dos lugares) en la unidad principal.**
- 2 Levante lentamente la unidad principal y colóquela en el gabinete.**
- 3 Fije la unidad principal al gabinete con tornillos.**
 - Monte siguiendo las instrucciones de funcionamiento del gabinete.

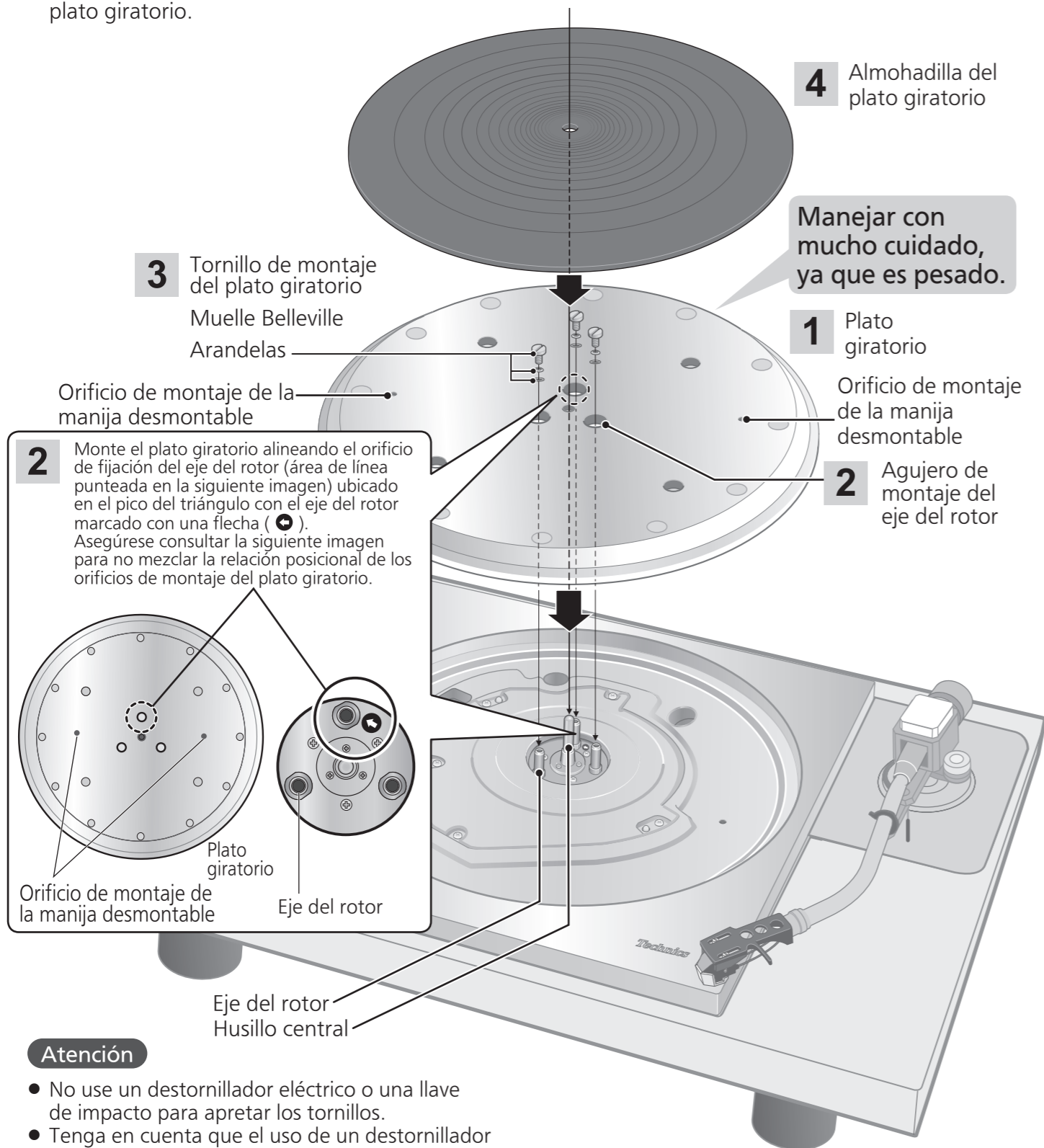


Montaje del tocadiscos (continuación)

Para impedir daños durante el transporte, algunas partes del equipo han sido desmontadas. Monte el tocadiscos en el orden siguiente.

Atención

- No conecte el cable de alimentación de CA hasta después de completar el montaje.
- Al montar el plato giratorio, evite que entre material extraño en medio de la unidad principal y el plato giratorio.



Atención

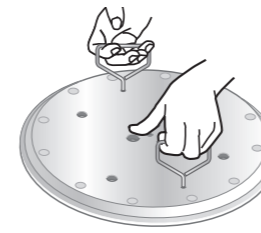
- No use un destornillador eléctrico o una llave de impacto para apretar los tornillos.
- Tenga en cuenta que el uso de un destornillador no apto para los tornillos de montaje del plato giratorio puede dañar la unidad principal.

14 (134)

Español

Montaje del plato giratorio

1



Apriete los tornillos de la manija desmontable en los orificios de montaje de la manija desmontable (dos lugares) en el plato giratorio. Eleve

lentamente el plato giratorio y, a continuación, bájelo de tal forma que el husillo central quede introducido en el orificio del centro del plato giratorio.

Atención

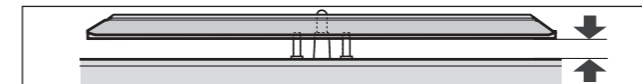
- Apriete la manija desmontable girándola 5 o más veces. Si la ha apretado totalmente, aflójela un poco. No la apriete firmemente.
- Tenga cuidado al manipular el plato giratorio, ya que es pesado.
- Limpie las huellas o la suciedad con un paño suave.

2 Baje lentamente el plato giratorio, alineando los agujeros de ajuste del eje del rotor (tres ubicaciones) con los ejes del rotor.

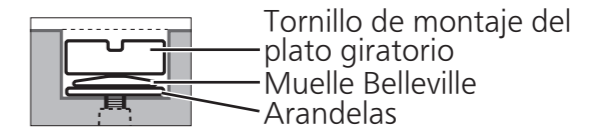
- Monte usando el eje del rotor con la marca de flecha como guía. (⇒ 14)

Atención

- Si los ejes del rotor están mal alineados, sigue habiendo un espacio entre el plato giratorio y la unidad principal y usted no puede montar el plato giratorio correctamente. No fuerce el plato giratorio hacia abajo.



3 Coloque las arandelas, los resortes Belleville y los tornillos del plato giratorio en los agujeros de ajuste del eje del rotor, y apriete con seguridad los tornillos de montaje.



Atención

- Al apretar los tornillos, no permita que las cabezas de los tornillos sobresalgan de la superficie superior del plato giratorio.
- Apriete los tres tornillos de manera uniforme. Si no lo hace, podría causar que el plato giratorio vibre o gire de forma inestable. Asegúrese de que ninguno de los tornillos esté flojo.

Para retirar el plato giratorio

- ① Afloje los tornillos de montaje del plato giratorio y retírelos.
-Guarde los tornillos, los resortes Belleville y las arandelas cuidadosamente.
- ② Apriete los tornillos de la manija desmontable en los orificios de montaje de la manija desmontable (dos lugares) en el plato giratorio y eleve lentamente el plato giratorio.

Montaje de la estera del plato giratorio

4 Coloque la estera del plato giratorio en el plato giratorio.

(135) 15

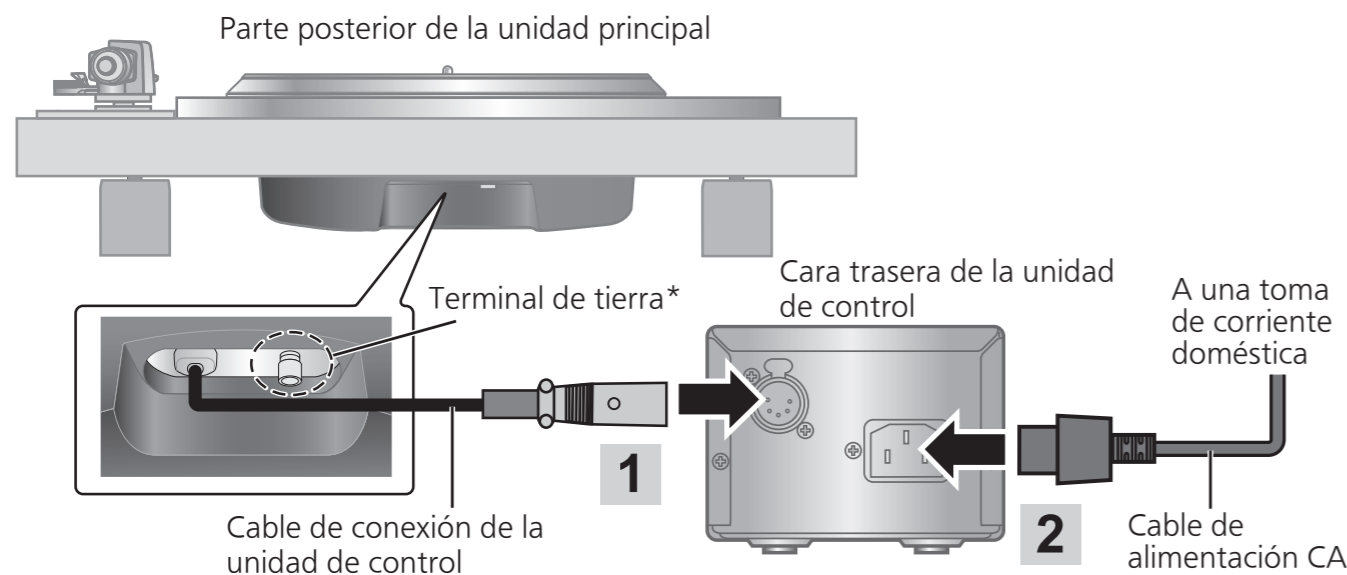
Español

Conexiones e instalación

- Apague todas las unidades y desconecte el cable de alimentación de CA de la toma de pared antes de realizar cualquier conexión.
- Conecte los cables de alimentación de CA sólo después de haber completado todas las demás conexiones.
- Consulte también el manual de instrucciones del dispositivo conectado.

Conexión de la unidad de control / Conexión de la clavija de alimentación y la toma a tierra

- 1** Conecte el cable de conexión de la unidad de control introduciéndolo hasta que haga clic en posición.
- 2** Conecte el cable del suministro de alimentación de CA.
- 3** Conecte la clavija de alimentación y la toma a tierra.
 - Confirme el vatiaje de la toma de CA del equipo conectado antes de utilizarlo con esta unidad.
(Esta unidad consume 10 W).



*Si es necesario, conecte el terminal de tierra de la unidad principal al del amplificador usando un cable de toma a tierra comercialmente disponible.

Nota

- El interruptor de funcionamiento no separa la unidad entera de la red eléctrica, incluso si se encuentra en la posición "OFF".
Desconecte el enchufe de la toma de corriente principal cuando no vaya a usar la unidad durante un largo periodo de tiempo. Coloque la unidad de modo que el enchufe se pueda quitar fácilmente.

Instalación

■ Notas para la instalación

- Utilice siempre dos personas o más para instalar o mover la unidad.
- Antes de mover la unidad, retire todos los equipos conectados y desconecte la fuente de alimentación.
Si mueve la unidad con la unidad de control conectada podría caer y provocar lesiones.
- Asegúrese de que la unidad no esté expuesta a la luz solar directa, al polvo, a la humedad y al calor procedente de un aparato de calefacción.
- Esta unidad puede captar interferencias de una radio cercana.
Coloque la unidad tan lejos de la radio como sea posible.
- No instale la unidad en una fuente de calor.
- Evite un lugar con grandes variaciones de temperatura.
- Evite un lugar con condensación frecuente.
- Si se requieren medidas antivuelco, consulte con un contratista. Las resistencias del suelo y la pared deben ser revisadas.
- Evite un lugar inestable.
- Asegúrese de que el lugar de instalación sea lo suficientemente resistente como para soportar el peso total de la unidad y el sistema.
- No coloque ningún objeto en la unidad.
- No instale la unidad en un lugar cerrado, como una librería.
- Instale la unidad en una posición alejada de las paredes u otros dispositivos para asegurar la disipación de calor eficaz desde el interior de la unidad.
- No tire de la unidad con fuerza después de la instalación. Si lo hace, podría dañar el aislador o la superficie del suelo.
- Tenga en cuenta que la unidad puede ser dañada por el humo de cigarrillos o la humedad de un humidificador ultrasónico.

■ Condensación

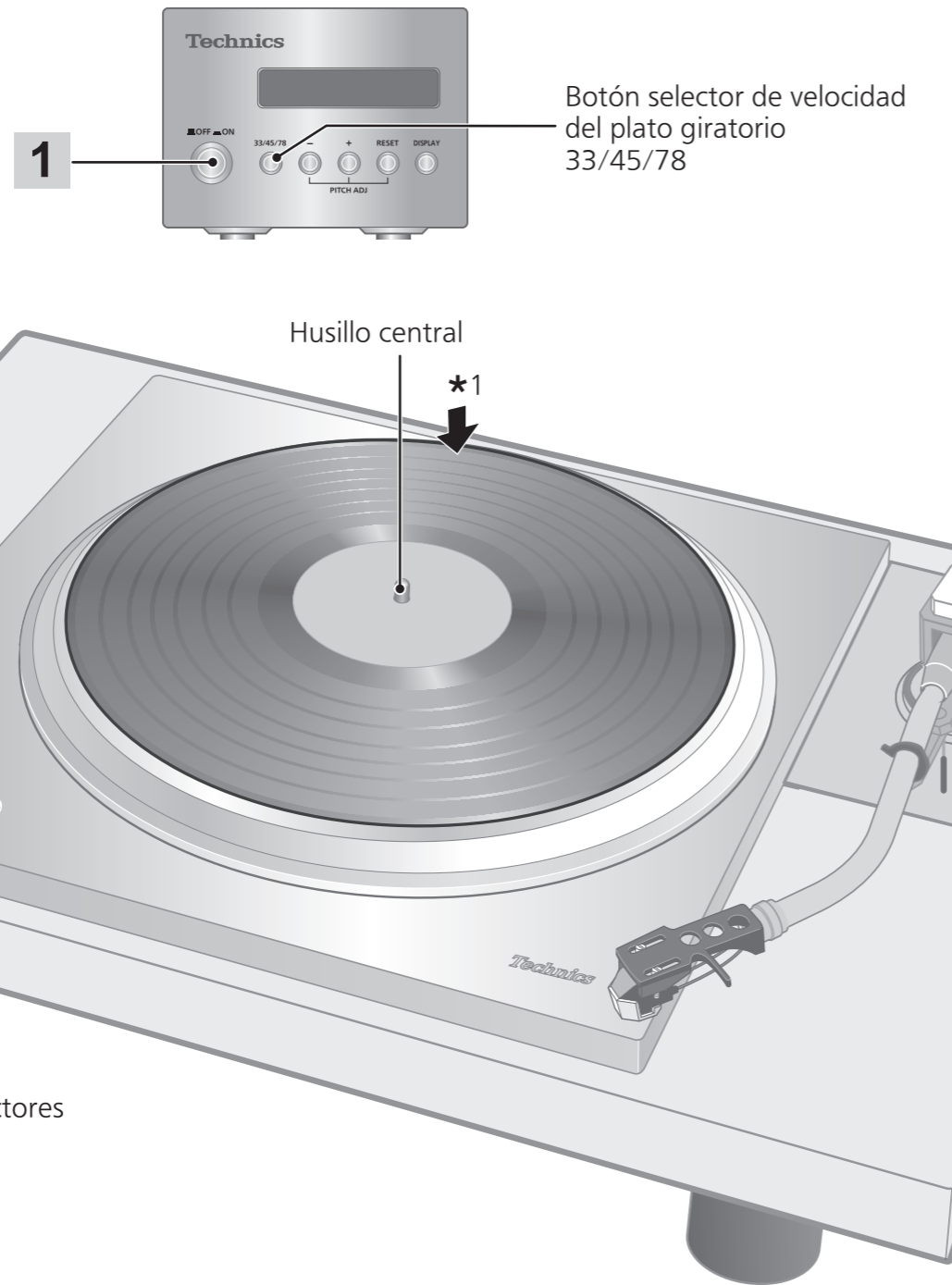
Piense en coger una botella fría de un refrigerador. Si la deja en una habitación durante un tiempo, se formarán gotas de rocío en la superficie de la botella. Este fenómeno se llama "condensación".

- Condiciones que causan condensación
 - ◇ Cambio rápido de temperatura (causada por pasar de un lugar caliente a un lugar frío o viceversa, un enfriamiento o calentamiento rápido, o la exposición directa al aire frío)
 - ◇ Humedad alta en una habitación con mucho vapor, etc.
 - ◇ Temporada de lluvias
- La condensación puede dañar la unidad. Si se ha producido, apague la unidad y déjela hasta que se adapte a la temperatura ambiente (aproximadamente de 2 a 3 horas).

Reproducción de discos

Preparación

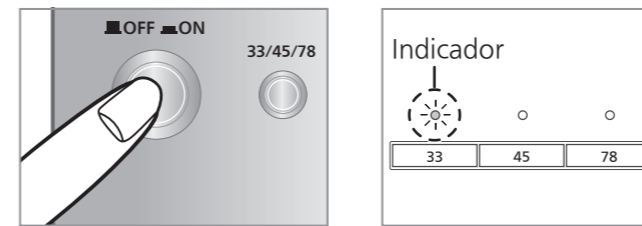
★1. Ponga un disco (no incluido) en el plato giratorio.



Botones selectores de velocidad
Indicadores

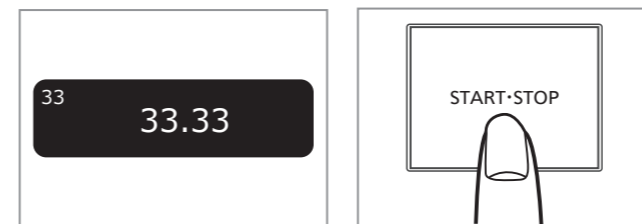
1 Pulse el botón de alimentación de la unidad de control para activarla.

La velocidad se ajusta automáticamente en 33^{1/3} vueltas, el indicador [33] se ilumina en la unidad principal y la velocidad del plato giratorio de [33,33] aparece en la pantalla de la unidad de control.



2 Pulse [START-STOP].

El plato giratorio empieza a girar.

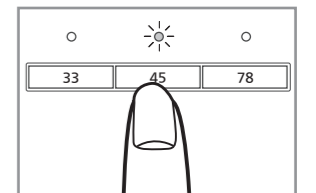


■ Cuando termina la reproducción

- ① Levante la palanca, devuelva el brazo sonoro al apoyo del brazo y baje la palanca.
- ② Presione [start-stop] (inicio-parada). El freno electrónico detiene suavemente el plato giratorio.
- ③ Pulse el botón de alimentación de la unidad de control para desactivarla.
- ④ Sujete el brazo sonoro con la abrazadera.
- ⑤ Coloque de nuevo la cubierta de la aguja (para proteger la punta de la aguja).

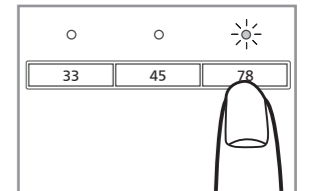
■ Al reproducir discos EP

- Pulse el botón de selección de velocidad [45] (se ilumina [45]).
- Coloque el adaptador de discos EP sobre el husillo central.



■ Al reproducir discos SP

- Presione los botones de selección de velocidad [78] al mismo tiempo (se ilumina [78]).

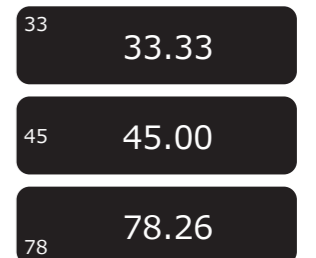


■ Al usar un estabilizador de discos (no incluido)

- Consulte el manual de instrucciones del estabilizador del disco.
- Peso máximo: 1 kg

Nota

- Pulsar [33/45/78] en la unidad de control también puede cambiar la velocidad del plato giratorio. (⇒ 21)



Atención

No pulse [START-STOP] cuando se retira el plato giratorio.

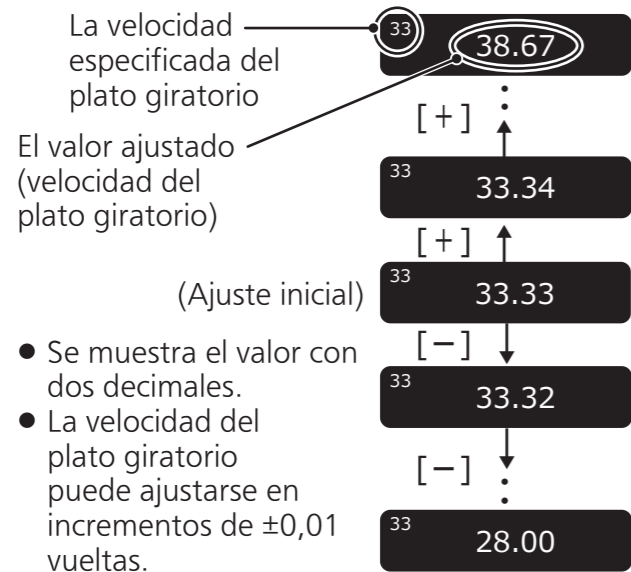
Control del tono (ajuste fino al tono)

1 Pulse [-] o [+] en la unidad de control para realizar el ajuste.

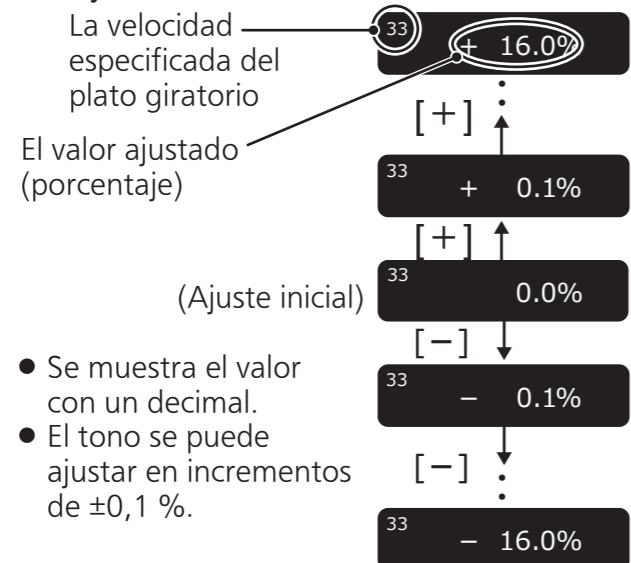
- El tono puede ajustarse dentro de aproximadamente $\pm 16\%$ de la velocidad actualmente establecida del plato giratorio [33/45/78].
- El valor de ajuste actual aparece en la pantalla de la unidad de control. La pantalla varía en función del modo de visualización. (Cambio del modo de visualización \Rightarrow 21)
- La velocidad del plato giratorio cambia cada vez que se ajusta el tono mientras gira el plato giratorio.

- Pulsar el botón aumenta o reduce el valor.
- Mantener el botón presionado acelera el aumento o reducción.

■ Cuando el modo de visualización es "Ajuste de la velocidad del plato giratorio"



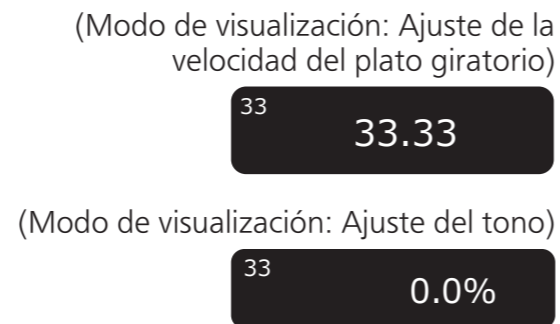
■ Cuando el modo de visualización es "Ajuste del tono"



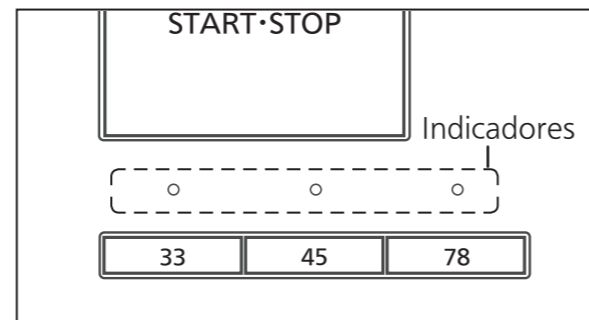
■ Para volver a la velocidad prescrita del plato giratorio

Pulse [REINICIO] en la unidad de control. El valor vuelve inmediatamente a la velocidad prescrita del plato giratorio. (33^{1/3}, 45 o 78,26 rpm)

*La pantalla de la unidad de control muestra el ajuste prescrito. La velocidad del plato giratorio se convierte en la velocidad prescrita del plato giratorio en el modo de ajuste de velocidad del plato giratorio y 0,0 % en el modo de ajuste del tono.



■ Indicadores del botón selector de velocidad de la unidad principal durante el control del tono



- LED azul encendido: Sin control de tono (0,0 %)
- LED naranja encendido: Durante el control de tono

Nota

- El tono puede ajustarse para cada velocidad del plato giratorio.
- Desactivar el botón de alimentación cancela el ajuste del control de tono. Volver a activar el botón de alimentación regresa el valor al ajuste inicial.

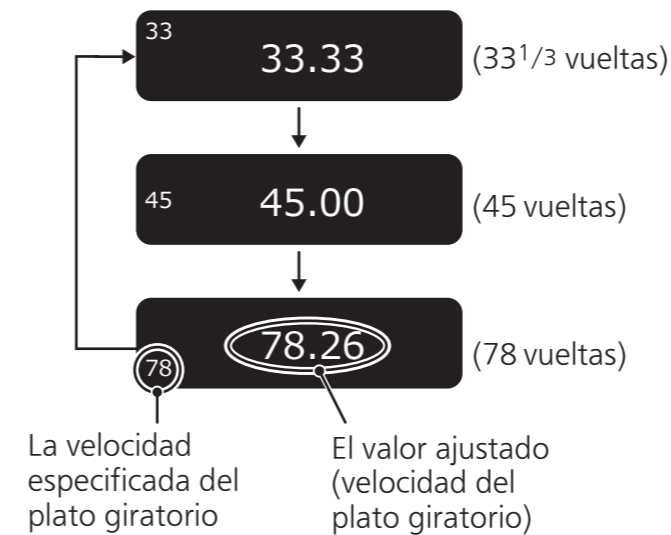
Operación y visualización de la unidad de control

Ajuste de velocidad del plato giratorio

1 Appuyez sur [33/45/78] sur l'unité de commande.

Pulse [33/45/78] en la unidad de control. Cada vez que pulse [33/45/78], la velocidad del plato giratorio cambia en el orden "33" \rightarrow "45" \rightarrow "78" \rightarrow "33" \rightarrow ...

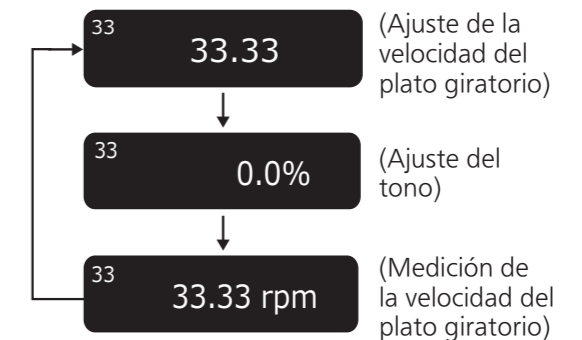
- La velocidad del plato giratorio cambia cada vez que se ajusta el tono mientras gira el plato giratorio.



Cambio del modo de visualización

1 Pulse [DISPLAY] en la unidad de control.

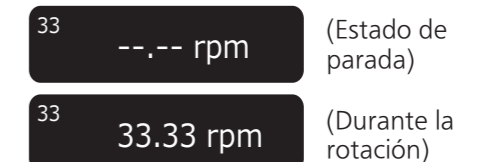
Cada vez que pulse [DISPLAY], el modo de visualización cambia en el orden "Ajuste de la velocidad del plato giratorio" \rightarrow "Ajuste del tono" \rightarrow "Medición de la velocidad del plato giratorio" \rightarrow "Ajuste de la velocidad del plato giratorio" \rightarrow ...



Medición de la velocidad del plato giratorio

La velocidad real del plato giratorio se puede medir en este modo de visualización. Cambie el modo de visualización (véase más arriba) para acceder a este modo.

- "rpm" aparece después del valor numérico.
- "--.-- rpm" aparece cuando el plato giratorio se ha detenido.



■ Operación durante "Medición de la velocidad del plato giratorio"

Accionar los botones como se describe a continuación cambia el modo de visualización a "Ajuste de la velocidad del plato giratorio" permitiéndole realizar el ajuste.

*El modo de visualización regresa a "Medición de la velocidad del plato giratorio" si no realiza ninguna operación en tres segundos.

- [-]/[+]: El tono se puede ajustar. (\Rightarrow 20)
- [RESET]: El valor vuelve inmediatamente a la velocidad prescrita del plato giratorio.
- [33/45/78]: La velocidad del plato giratorio cambia cada vez que se pulsa el botón.

Nota

- Se muestra un valor promediado.

Operación y visualización de la unidad de control (continuación)

Ajuste del atenuador de pantalla

El atenuador de pantalla se activará si la unidad de control no es accionada durante 20 segundos. Hay cuatro patrones de atenuación.

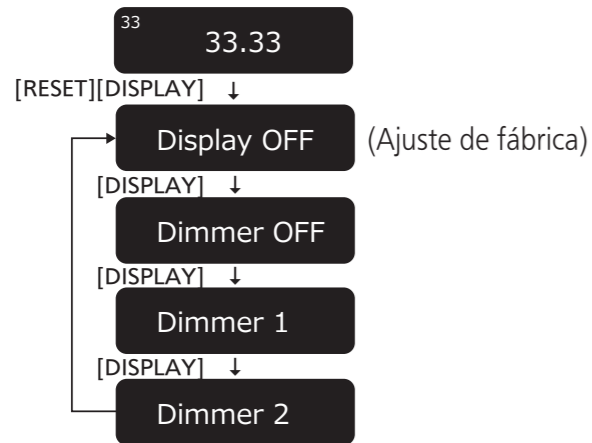
1 En la unidad de control, mantenga pulsado [REINICIO] y pulse [PANTALLA].

- Se visualiza el ajuste del atenuador.

2 Pulse [PANTALLA] en la unidad de control.

El ajuste cambia cada vez que se pulsa [PANTALLA].

- La pantalla regresa a la visualización original si no realiza ninguna operación en tres segundos.



Pantalla	Atenuador de pantalla cuando no se realiza ninguna operación durante 20 segundos
Display OFF	El brillo se reduce un nivel. ⇒ (Sin operación durante cinco segundos más) ⇒ El brillo se reduce en dos niveles. ⇒ (Sin operación durante cinco segundos más) ⇒ Apagado
Dimmer OFF	Sin atenuación (siempre encendido)
Dimmer 1	El brillo se reduce un nivel.
Dimmer 2	El brillo se reduce dos niveles.

- Después del ajuste, el brillo se ajusta inmediatamente al valor establecido. La pantalla se apaga inmediatamente si se selecciona "Apagar pantalla".
- Accionar un botón (cualquier botón que no sea el botón de alimentación) en la unidad de control mientras el atenuador está activo, regresa el brillo de la pantalla al máximo.

Nota

- Se guarda la configuración. La próxima vez que active la alimentación, se recuperará la configuración establecida al desactivar la alimentación.

Ajuste el par para girar el plato giratorio a una velocidad constante

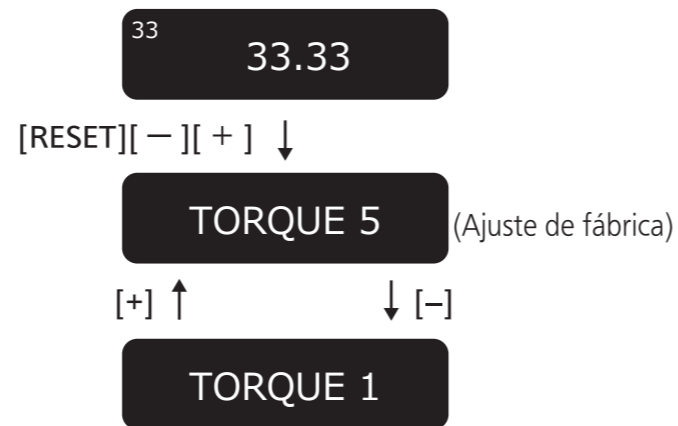
Pulse [START•STOP] y, a continuación, ajuste el par (fuerza de rotación) a cinco niveles para girar el plato giratorio a velocidad constante.

1 En la unidad de control, mantenga pulsado [REINICIO] y pulse [-] y [+] simultáneamente.

- Se visualiza la configuración del par.

2 Pulse [-] o [+] en la unidad de control para realizar el ajuste.

- Seleccione uno de los cinco niveles de "PAR1" a "PAR5".
- Pulsar el botón aumenta o reduce el valor.
- Use la siguiente tabla a modo de guía.
- La pantalla regresa a la visualización original si no realiza ninguna operación en tres segundos.



Pantalla	Para para girar a velocidad constante
TORQUE5	Máximo (Ajuste de fábrica)
TORQUE4	↑ ↓
TORQUE3	
TORQUE2	
TORQUE1	Mínimo

Nota

- Se guarda la configuración. La próxima vez que active la alimentación, se recuperará la configuración establecida al desactivar la alimentación.

Mantenimiento

■ Limpieza de la unidad principal

Limpie la unidad principal y otros componentes con un paño suave y seco. Cuando hay mucha suciedad, exprima un paño mojado con fuerza para limpiar la suciedad, y luego limpie con un paño suave.

- No utilice disolventes, incluidos benceno, diluyente, alcohol, detergentes de cocina, limpiadores químicos, etc. Esto podría causar la deformación de la carcasa exterior o el deterioro del revestimiento.

■ Desplazamiento de la unidad

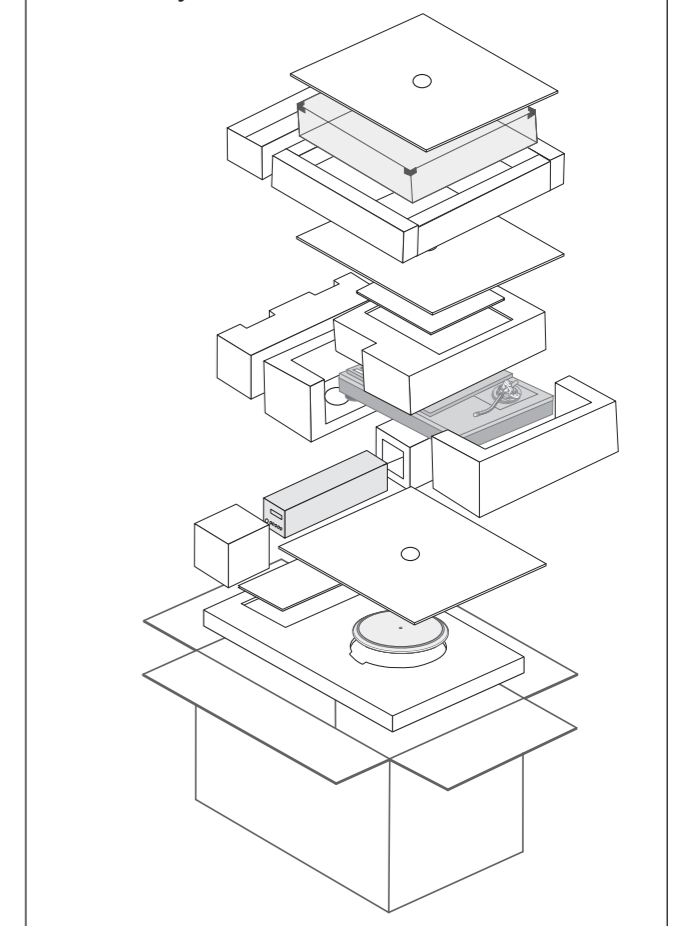
Embale la unidad en el material de embalaje original. (⇒ 12)

Conserve los materiales de embalaje una vez extraídas las mercancías.

Si no tiene el embalaje original, haga lo siguiente:

- Retire el plato giratorio y su almohadilla y envuélvalos cuidadosamente.
- Envuelva cuidadosamente la unidad principal en una manta o en papel.

Reembalaje



■ Símbolo WEEE

Desecho del producto fuera de los países de la UE

- Este símbolo es válido sólo dentro de la UE.
- Póngase en contacto con una oficina gubernamental local o con su distribuidor para confirmar una forma de disposición correcta.

Guía para la localización de las fallas

Solución de problemas Antes de solicitar el servicio, realice las siguientes comprobaciones. Si tiene dudas acerca de ciertos puntos de comprobación, o si las soluciones indicadas en la tabla no solucionan el problema, póngase en contacto con su distribuidor.

No se conecta la alimentación.

- ¿Está conectado el cable de alimentación de CA? → Conéctelo firmemente. (⇒ 16)
- ¿Está conectada la unidad de control a la unidad principal? → Introduzca el cable de conexión de la unidad de control hasta que haga clic. (⇒ 16)

Aucune indication sur l'affichage de l'unité de commande.

- ¿Está conectada la clavija de alimentación? → Introdúzcala firmemente. (⇒ 16)
- ¿Está activada la alimentación? → Pulse el botón de alimentación para activar la alimentación. (⇒ 18)
- ¿Está activado el atenuador de la pantalla? → Accione un botón (cualquier botón que no sea el botón de alimentación) de la unidad de control. (⇒ 22)

■ Código de error

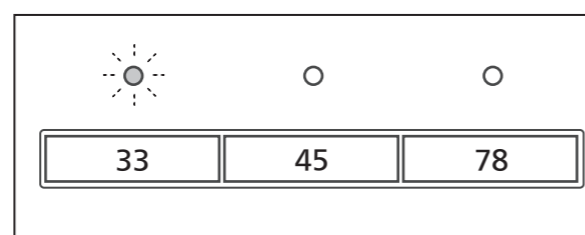
La aparición de un error se notificará según sea necesario en la pantalla de la unidad de control y con los indicadores del botón selector de velocidad de la unidad principal.

Pantalla de la unidad de control	Medición
Unconnected	Compruebe que la unidad de control esté conectada a la unidad principal. (⇒ 16)
F58 F76 F17	Póngase en contacto con su distribuidor. <ul style="list-style-type: none"> • Uno de los indicadores del botón selector de velocidad [33/45/78] de la unidad principal parpadea (rápida o lentamente) en naranja. • Indique el número visualizado y el estado de parpadeo del LED en el momento de la consulta.

(Ejemplo de visualización de la unidad de control en caso de error)

Unconnected

(Ejemplo de los indicadores del botón selector de velocidad de la unidad principal en caso de error)
Parpadea en naranja.



Especificaciones

Generalidades	
Alimentación	110 - 240 V CA, 50/60 Hz
Consumo	10 W (Encendido) 0,05 W (Apagado)
Dimensiones (An. × Al. × Pr.)	<Unidad de control> 110×84×350 mm
	<Unidad principal> 365×109×365 mm
Peso	<Unidad de control> Aprox. 2,1 kg
	<Unidad principal> Aprox. 18,2 kg
Temperatura de funcionamiento	0 °C a 40 °C
Humedad de funcionamiento	35 % a 80 % HR (sin condensación)
Sección del plato giratorio	
Método de accionamiento	Accionamiento directo
Motor	Motor de CC sin escobillas
Plato giratorio	Latón y aluminio fundido a presión combinado Diámetro: 323 mm Peso: Aprox. 7,9 kg (incluyendo la lámina del plato giratorio)
Velocidades del plato giratorio	33-1/3, 45 y 78* rpm
Paso de gama variable	±16 %
Por motor de arranque	0,39 N·m (4,0 kg-cm)
Sistema de frenado	Freno electrónico
Fluctuaciones y trémolo	0,015% W.R.M.S. (JIS C5521)
Sección del terminal	
Terminal de salida	Terminal de tierra

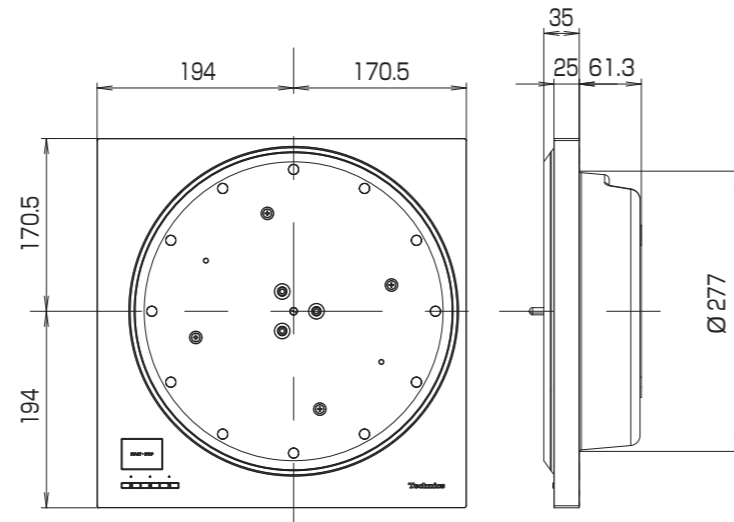
Las especificaciones están sujetas a cambios sin previo aviso.

*La velocidad del plato giratorio será de 78,26 rpm cuando se ajuste a 78 rpm (control de tono 0,0 %).

Esquemas dimensionales

■ Dimensiones externas

Seleccione un gabinete que se adapte a las dimensiones externas del tocadiscos.
<Unidad: mm>

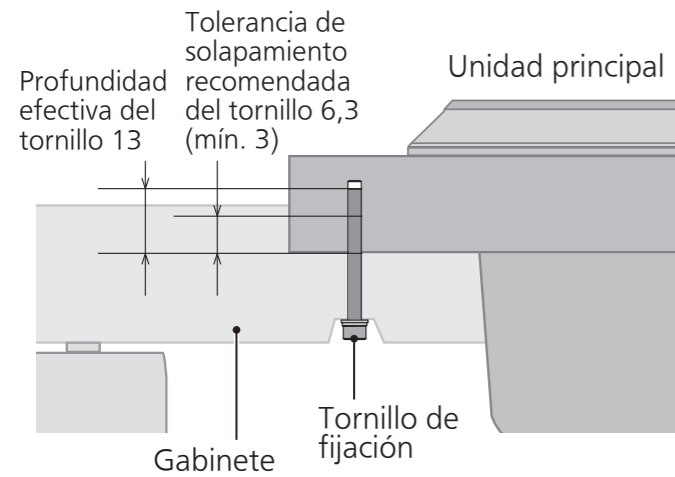
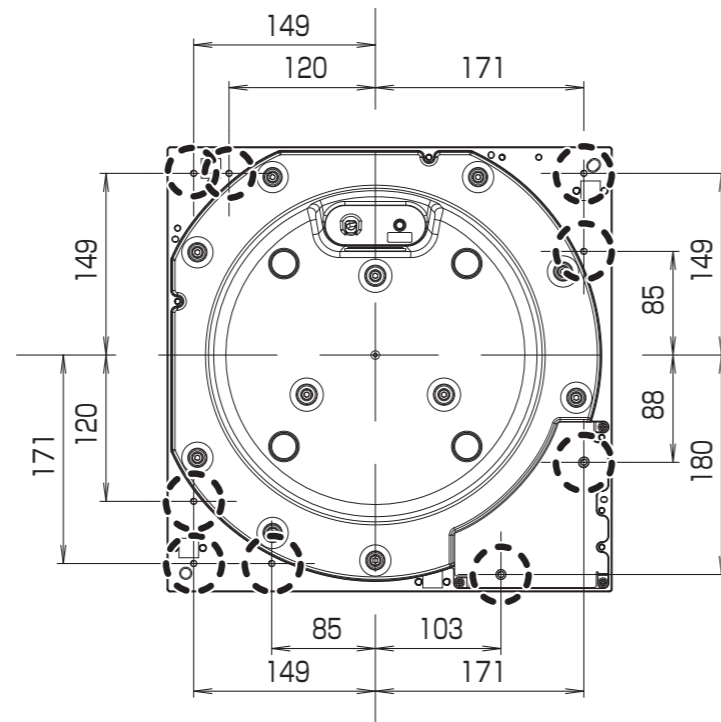


■ Ubicación de los tornillos para la fijación del gabinete

Fije el tocadiscos al gabinete en los nueve lugares (marcados con una línea punteada) indicados en la imagen derecha (la superficie inferior de la unidad principal). <Unidad: mm>

- Tornillo de fijación: M5

Consulte la vista seccional siguiente al seleccionar la longitud de los tornillos de fijación.



Indledning

Tak fordi du har købt dette apparat.

Læs denne vejledning omhyggeligt, før du bruger dette produkt, og gem denne vejledning til fremtidig brug.

- Om beskrivelserne i denne betjeningsvejledning
 - Sidehenvisninger er angivet som "(⇒ 00)".
 - De viste illustrationer kan afvige fra din enhed.

Funktioner

Kerneløs, direkte drivmotor til jævn, præcis rotation

- Den nye kerneløse, direkte drivmotor kan reducere små vibrationer under rotation ved at sikre et stærkt drejningsmoment til at drive den tunge pladetallerken.
- Motorens højteknologiske styringsteknik kan ændre drevfunktionen i henhold til motorens driftstilstand for at opnå høj rotationsnøjagtighed.

Tre-lags pladetallerken sikrer stabil rotation

- Den trelags pladetallerken er fremstillet af messing, trykstøbt aluminium og lydisolerende gummi fastgjort til bundfladen for at undertrykke uønsket resonans.
- Tykke wolframvægte er placeret på den ydre periferi af messingdelen for at give stor inertimasse.

Speciel styreenhed, der kan eliminere uønsket støjinterferens med hovedenheden

- Strømkredsløbet og styrekredsløbet er adskilt for at minimere uønsket ekstern støjinterferens med hovedenheden og er placeret i en separat styreenhed.
- Den nye strømforsyning med et støjreduktionskredsløb er udviklet for at reducere støj i spændingsforsyningen.

Kompatibilitet med SP-10MK2 og SP-10MK3

- Pladespilleren har samme bundform og placering af skruer som på SP-10MK2 og SP-10MK3, så du kan fortsætte med at bruge dit kabinet og din tonearm.

Indhold

• Før brug

Sikkerhedsforanstaltninger	06	Før brug
Tilbehør	09	
Navn på delene	10	

• Kom godt i gang

Udpakning og forberedelse	12	Kom godt i gang
• Bemærkninger for udtagning af varerne fra pakkeboksen samt transport	12	
Samling af pladespilleren.....	13	
• Før du samler pladespilleren (om kabinettet og tonearmen)	13	
• Montering på kabinettet	13	
• Montering af pladespilleren.....	15	
• Montering af plademåtten	15	
Tilslutning og opstilling.....	16	
• Tilslutning af styreenheden / tilslutning af strømstikket og jordforbindelsen	16	
• Opstilling.....	18	

• Afspilning

Afspilning af plader	18	Afspilning
Hastighedskontrol (finjustering af omdrejningshastigheden)	20	
Betjening af og visning på styreenheden	21	
• Indstilling af pladetallerkenhastighed.....	21	
• Skiftning af visningstilstand	21	
• Måling af pladetallerkenhastighed.....	21	
• Indstilling af lysdæmpningen	22	
• Justering af drejningsmomentet for at rotere pladetallerkenen ved en konstant hastighed	22	

• Vedligeholdelse

Vedligeholdelse	23	Vedligeholdelse
Fejlfindingsoversigt	24	
Specifikationer	25	
Dimensionstegninger	26	

Sikkerhedsforanstaltninger

ADVARSEL

Apparat

- For at mindske risikoen for brand, elektrisk stød eller produktskade,
 - Dette apparat må ikke udsættes for regn, fugt, dryp eller sprøjt.
 - Genstande, der indeholder væsker, såsom vaser, må ikke placeres oven på apparatet.
 - Brug kun anbefalet tilbehør.
 - Dæksler må ikke fjernes.
 - Du må ikke selv reparere dette apparat. Vedligeholdelse må udelukkende udføres af kvalificerede teknikere.
 - Pas på, at der ikke falder metalgenstande ned i apparatet.
 - Anbring ikke tunge genstande på dette apparat.

Strømforsyningsledning (vekselstrøm)

- For at mindske risikoen for brand, elektrisk stød eller produktskade,
 - Sørg for, at strømforsyningsspændingen svarer til den spænding, der er angivet på apparatet.
 - Indsæt stikproppen helt ind i stikdåsen eller elkontakten.
 - Lad være med at bøje eller trække i ledningen eller stille tunge genstande på den.
 - Rør ikke stikket med våde hænder.
 - Hold fast på stikproppen, når du trækker ledningen ud.
 - Brug aldrig en ødelagt stikprop eller stikdåse.
- Strømkvikket anvendes til at afbryde enheden med. Installer denne enhed så strømkvikket øjeblikkeligt kan tages ud af stikkontakten.
- Sørg for, at jordstiften i netstikket er korrekt tilsluttet for at undgå elektrisk stød.
 - Et apparat med KLASSE I-konstruktion skal sluttes til en jordet stikkontakt i væggen.

FORSIGTIG!

Apparat

- Kilder til åben ild, såsom tændte stearinlys, må ikke anbringes oven på enheden.
- Dette apparat kan modtage radiointerferens under brug pga. af tændte mobiltelefoner. Hvis der forekommer interferens, skal du øge afstanden mellem dette apparat og mobiltelefonen.
- Dette apparat er beregnet til brug i tropiske temperaturer.
- Læg ikke nogen genstande på denne enhed. Enheden bliver varm, når den er tændt.
- Pas på ikke at få hænder og/eller fingre i klemme i pladespillerenheden, når afspilleren samles.
- Vær altid to eller flere personer til at tage hovedenheden ud og transportere den.

Placering

- Anbring dette apparat på en plan, vandret overflade.
- For at mindske risikoen for brand, elektrisk stød eller produktskade,
 - Dette apparat må ikke installeres eller anbringes i en reol, et indbygget skab eller et andet aflukket område. Sørg for god ventilation til apparatet.
 - Ventilationshullerne må ikke tilstoppes med aviser, duge, gardiner og lignende genstande.
 - Dette apparat må ikke udsættes for direkte sollys, høje temperaturer, høj luftfugtighed eller kraftige vibrationer.
- Sørg for, at anbringelsesstedet er stærkt nok til at bære vægten af denne enhed (⇒ 25).
- Løft eller transportér ikke denne enhed ved at holde i nogle af knopperne. Det kan medføre, at denne enhed falder ned, og det kan resultere i en personskade eller funktionsfejl.



Indsamling af elektrisk affald

Kun for Den Europæiske Union og lande med retursystemer

Dette symbol på produkter, emballage og/eller ledsagedokumenter betyder, at brugte elektriske og elektroniske produkter ikke må blandes med almindeligt husholdningsaffald.

For korrekt behandling, indsamling og genbrug af gamle produkter, skal du tage dem til indsamlingssteder i overensstemmelse med den nationale lovgivning.

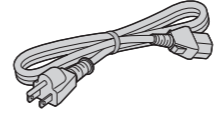
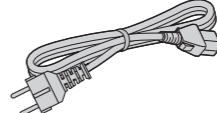
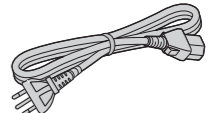
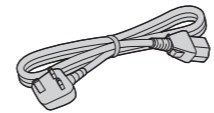
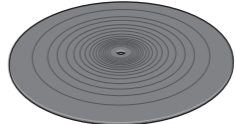


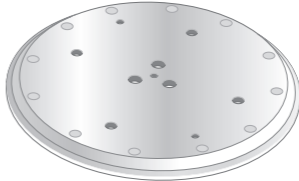
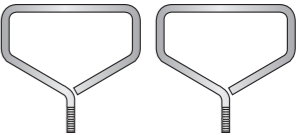
Ved at skaffe sig af med dem på korrekt vis hjælper du med til at spare værdifulde ressourcer og forhindre eventuelle negative påvirkninger af menneskers sundhed og miljøet.

Ønsker du mere udførlig information om indsamling og genbrug skal du kontakte din kommune.

Usagkyndig bortskaffelse af elektrisk affald kan eventuelt udløse bødeforlæggelse.

Tilbehør

For at forhindre beskadigelse under transport er noget af udstyret demonteret. Kontrollér, at alt tilbehøret er med og kryds af.

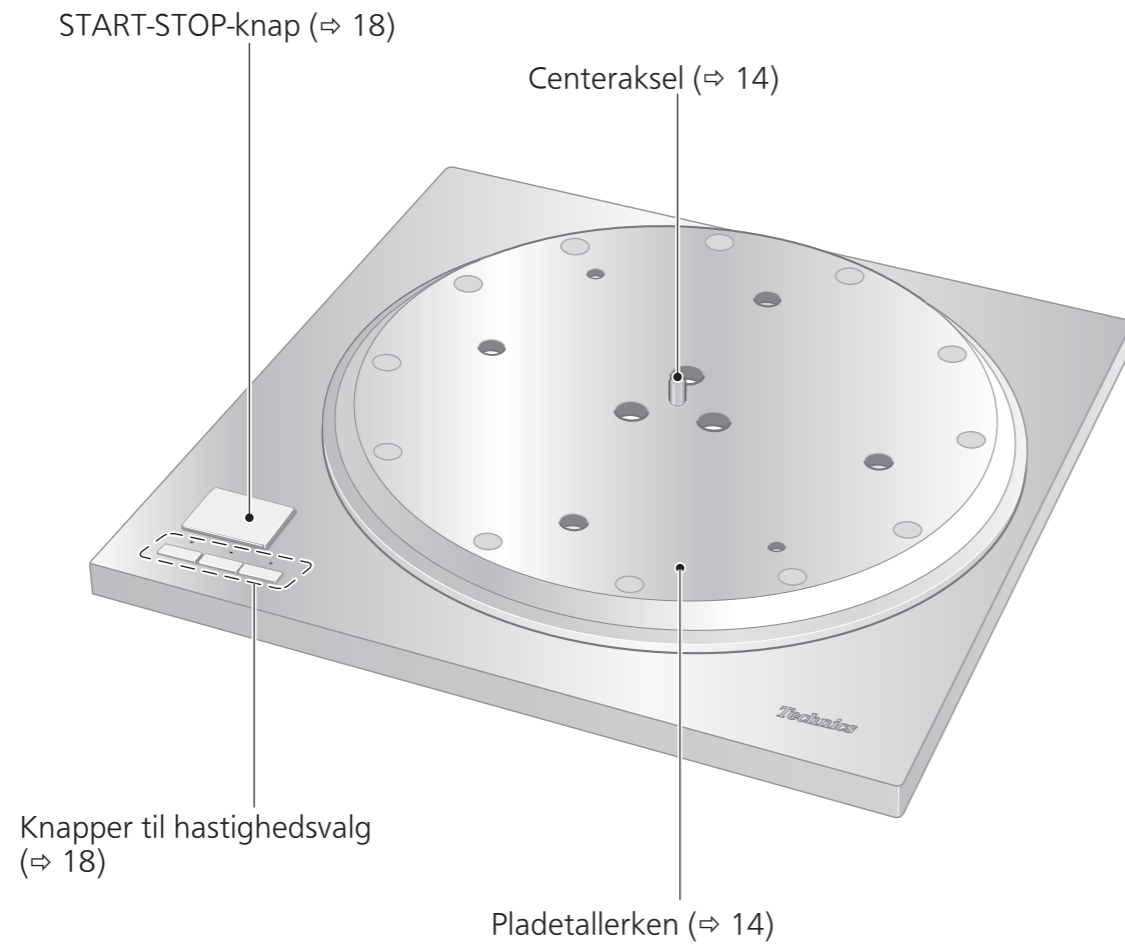
<p>Netledning (1 stk.) (K2CG3YY00191)</p> 	<p>Netledning (1 stk.) (K2CM3YY00041)</p> 	<p>Netledning (1 stk.) (K2CS3YY00033)</p> 
<p>Netledning (1 stk.) (K2CT3YY00081)</p> 	<p>Plademåtte (1 stk.) (RGS0008)</p> 	<p>EP-adapter (1 stk.) (TEKX077)</p> 
<p>Skruesæt til pladetallerken (1 sæt) (TYL0194)</p> <ul style="list-style-type: none"> ● Skruer, lange (3 stk.) ● Skiver (3 stk.) ● Belleville-fjedre (3 stk.) 	<p>Pladetallerken (1 stk.) (TYL0195)</p> 	<p>Aftageligt håndtag (2 stk.) (TXQ0020)</p> 

- Tilbehørets modelnumre er gældende fra marts 2018. Specifikationerne kan ændres uden varsel.
- Opbevar emballagen, når du har taget varerne ud af den. Du skal bruge den, hvis du skal bære produktet langt.
- Følg de lokale regler ved bortskaffelse af produktet.
- Brug ikke noget andet strømforsyningskabel end det, der medfølger.
- Hold den ekstra kontravægt, skruer og skiver utilgængeligt for børn for at undgå, at de sluger det.

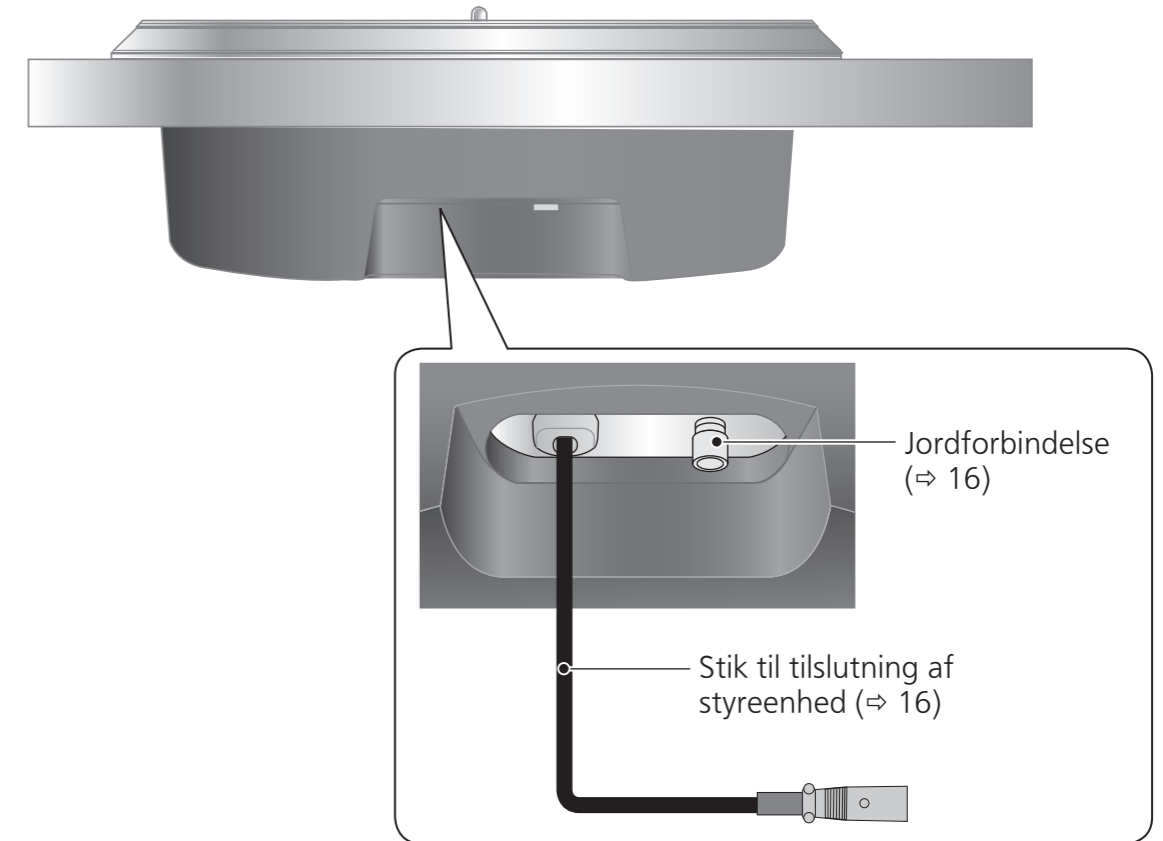
Navn på delene

Tal såsom (⇒ 00) angiver sidehenvisninger.

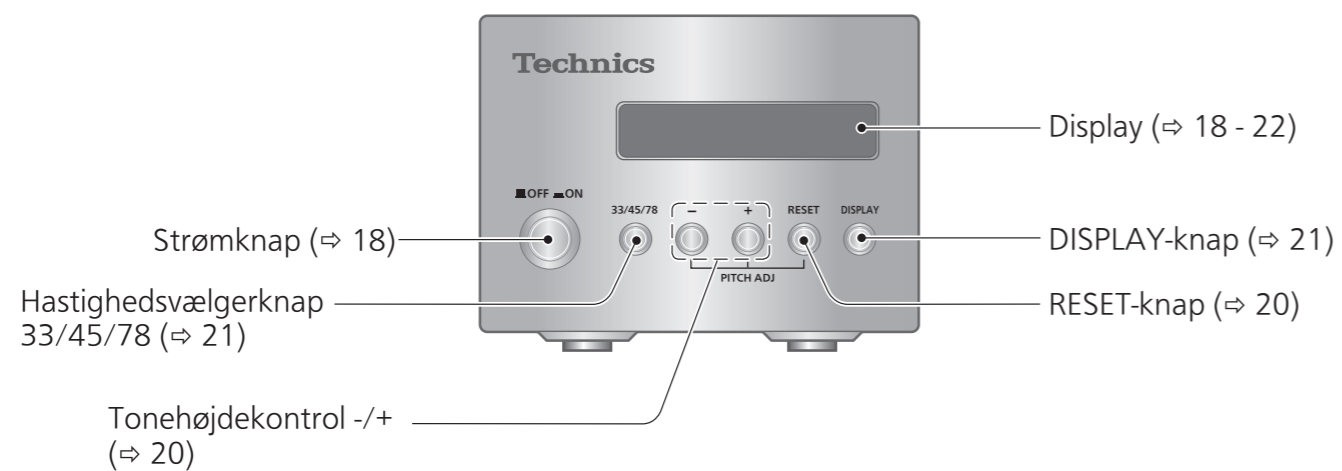
Hovedenhed (forside)



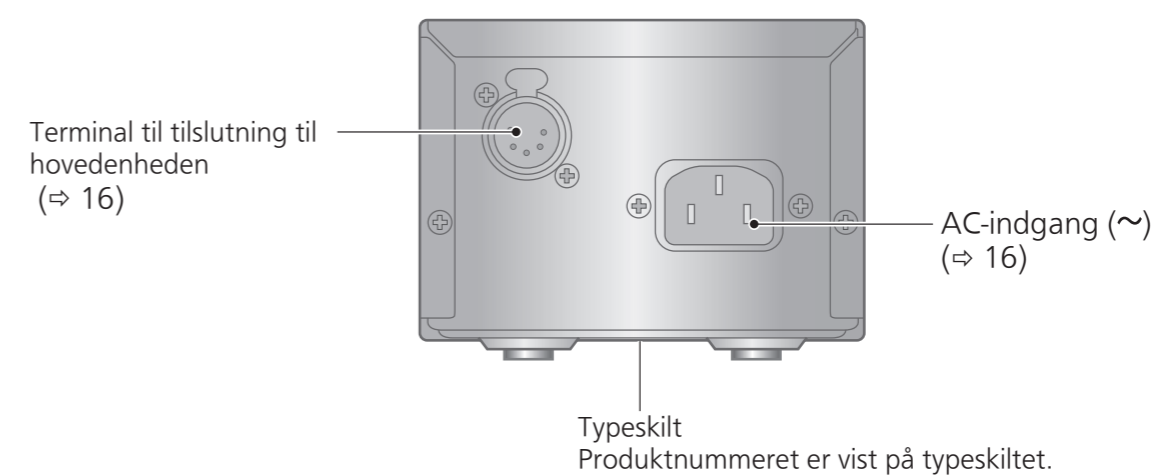
Hovedenhed (bagside)



Styreenhed (forside)



Styreenhed (bagside)



Udpakning og forberedelse

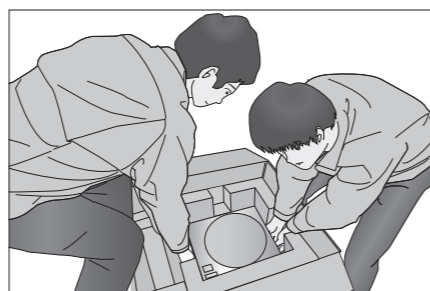
Bemærkninger for udtagning af varerne fra pakkeboksen samt transport

Bemærk

- Vær altid to eller flere personer til at tage hovedenheden ud og transportere den.
- Pas på ikke at miste balancen, hvis du løfter enheden med hænderne i en akavet position.
 - Du kan beskadige ryggen.
 - Du kan miste balancen på trapper og lignende, hvilket kan føre til personskade.
- Pas på ikke at få fingrene i klemme, når hovedenheden tages ud.
- Pas på ikke at få fingrene i klemme i mellemrummet mellem bunden af hovedenheden og gulvet.
- Behold emballagen, når du har taget varerne ud af den.
- Tag først varerne ud, når du har besluttet hvor systemet skal installeres.
- For bemærkninger vedrørende installationen, se "Installation" (⇒17).

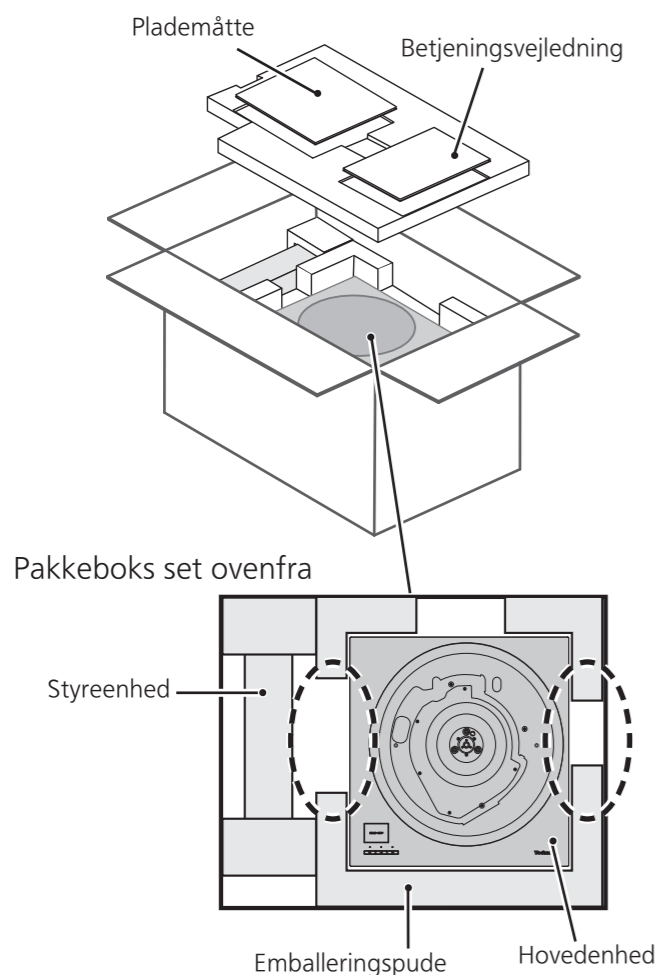
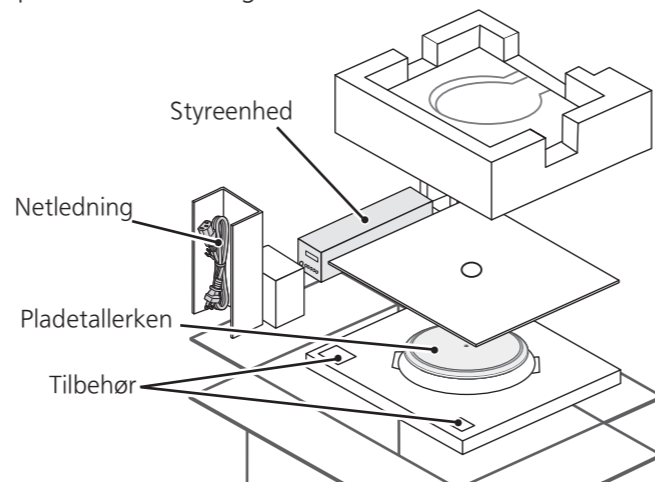
- ① Tag pladespillermåtten og betjeningsvejledningen ud.
- Opbevar alle tilbehør uden for børns rækkevidde.
 - Hovedenheden og styreenheden er pakket ind i beskyttelsesmateriale.

- ② Sæt hænderne mellem pakkepuderne (stiplet linje-område øverst i kassen) og løft langsomt hovedenheden ud. Vær altid to eller flere personer, når denne opgave udføres.
- Vær meget forsigtig, når du løfter hovedenheden.
 - Hold hovedenheden under bunden for at forhindre, at den glider ud af hænderne.
 - Udfør opgaven med begge hænder, for ikke at miste balancen.

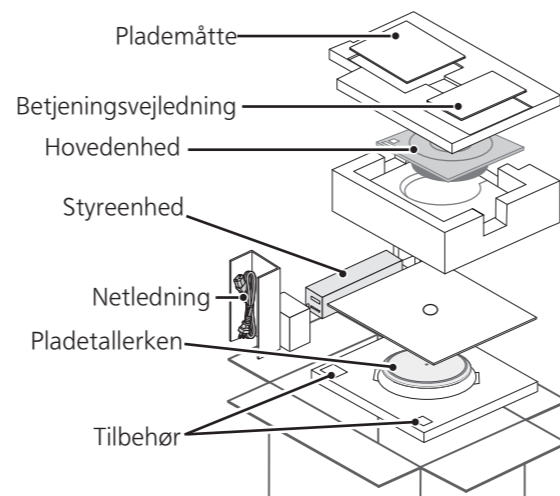


Billede af løfteopgaven

- ③ Pak styreenheden, strømforsyningskablet, pladetallerkenen og andet tilbehør ud.



Emballeringsrækkefølge



Samling af pladespilleren

Før du samler pladespilleren (om kabinettet og tonearmen)

Med hensyn til kabinettet

- Denne pladespiller har samme bundform og placering af skruer som på SP-10MK2 og SP-10MK3, så du kan fortsætte med at bruge dit kabinet og din tonearm til et system med SP-10MK2 eller SP-10MK3.
- Denne pladespiller har et stort startmoment. For at udnytte dens egenskaber og ydeevne fuldt ud, skal du bruge et tungt kabinet af tykt materiale.
- Når du vælger et kabinet, skal du bestemme dets ydre dimensioner ud fra din tonearms faktiske længde.
- Brug massive og stærke isolatorer til at understøtte kabinettet.
- Pladespillerens monteringsmål. (⇒26)

Angående montering af tonearmen

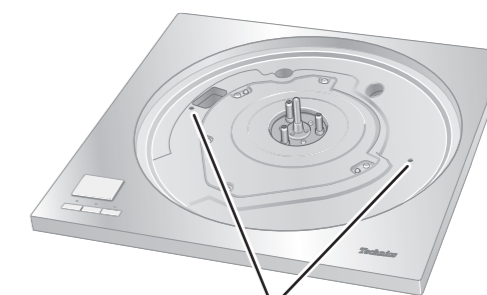
- Brug tonearmens base, der sælges separat. For detaljeret information så som monteringsmetode skal du følge instruktionsvejledningen til tonearmens base og tonearmens vejledning.

Montering på kabinettet

- 1 Spænd skruerne på det aftagelige håndtag i monteringshullerne på det aftagelige håndtag (to steder) på hovedenheden.

- 2 Løft langsomt hovedenheden og sæt den på kabinettet.

- 3 Fastgør hovedenheden til kabinettet med skruer.
- Monter ved at følge kabinettets betjeningsvejledning.



Monteringshul på aftageligt håndtag

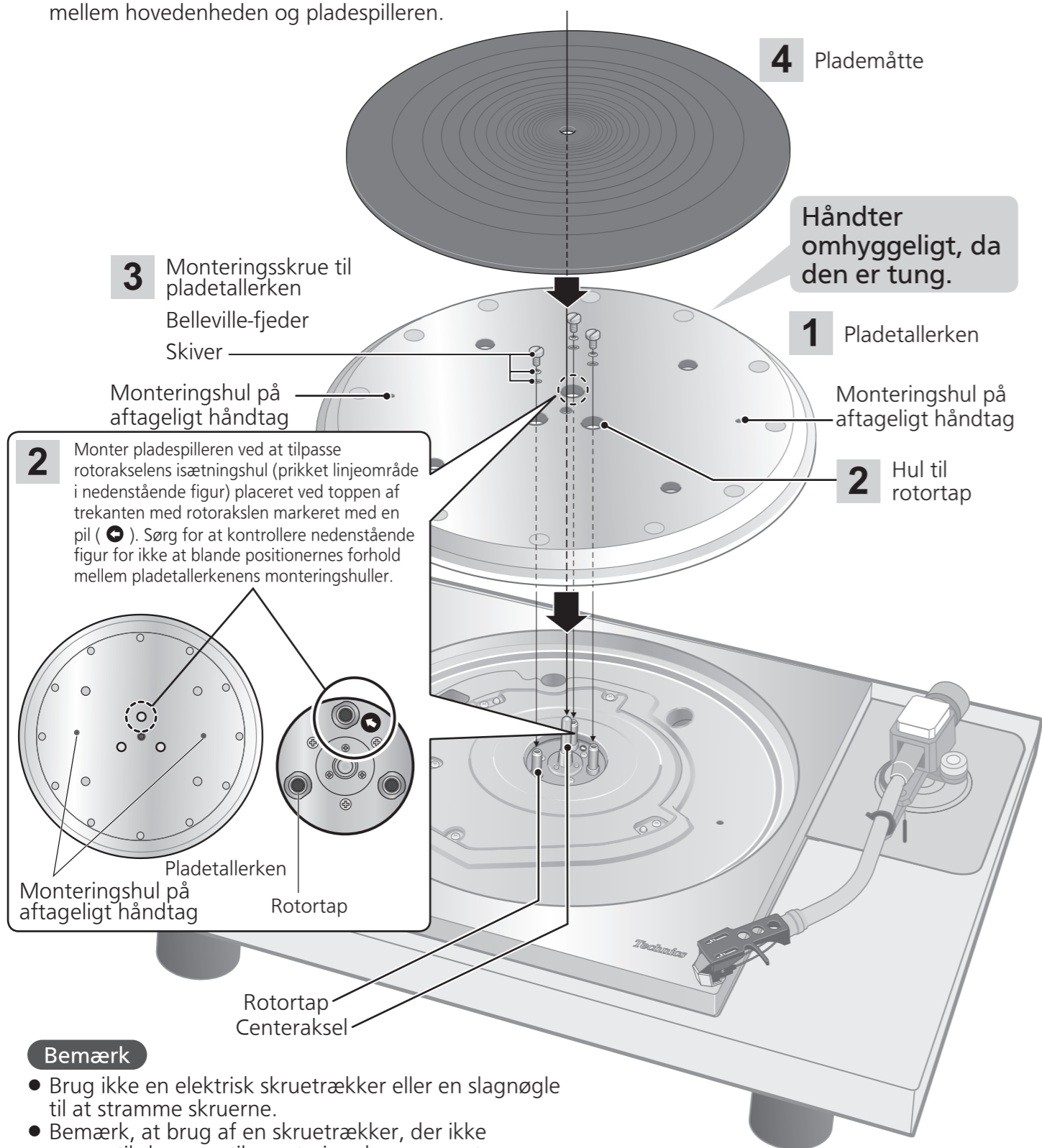


Samling af pladespilleren (fortsat)

For at forhindre beskadigelse under transport er noget af udstyret demonteret. Pladespilleren bør samles i den beskrevne rækkefølge.

Bemærk

- Netledningen må ikke tilsluttes, før pladespilleren er samlet.
- Ved montering af pladespilleren skal du forhindre, at der kan komme fremmedlegemer ind mellem hovedenheden og pladespilleren.



Bemærk

- Brug ikke en elektrisk skruetrækker eller en slag nøgle til at stramme skrueerne.
- Bemærk, at brug af en skruetrækker, der ikke passer til skrueerne til montering, kan gøre, at pladetallerkenen kan beskadige hovedenheden.

Montering af pladespilleren

1



Spænd skrueerne på det aftagelige håndtag i monteringshullerne på det aftagelige håndtag (to steder) på pladetallerkenen.

Løft langsomt pladetallerkenen og sæt den på centerakslen så hullet i midten af pladetallerkenen passer over akselen.

Bemærk

- Spænd det aftagelige håndtag ved at dreje det 5 gange eller mere. Hvis du har spændt det mest muligt, skal du løsne det en anelse. Spænd det ikke for hårdt.
- Vær forsigtig ved håndtering af pladetallerkenen, da den er tung.
- Tør fingeraftryk og snavs med en blød klud.

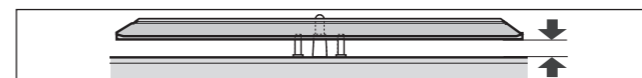
2

Sænk langsomt pladetallerkenen mens du passer dens huller (tre stk.) sammen med rotortappene.

- Monter ved hjælp af rotorakslen og brug pilmarkeringen som vejledning. (⇒ 14)

Bemærk

- Hvis pladetallerkenen ikke passes korrekt sammen med rotortappene, bliver der for stor afstand mellem pladetallerkenen og hovedenheden, og pladespilleren kan da ikke monteres korrekt. Tving ikke pladetallerkenen nedad.



3 Fastgør pladetallerkenens skiver, tallerkenfjedre og skrueer i rotortappernes huller, og spænd skrueerne ordentligt fast.



Monteringskrue til pladetallerken
Belleville-fjeder
Skiver

Bemærk

- Ved stramning af skrueer, må skruehovederne ikke stikke frem over pladetallerkenens øvre overflade.
- Spænd de tre skrueer jævnt. Hvis du undlader at gøre det, kan det få pladespilleren til at rasle eller rotere ujævnt. Vær sikker på, at ingen af skrueerne er løse.

■ Demontering af pladetallerkenen

- ① Løsn pladetallerkenens monteringskrueer og fjern dem.
-Opbevar skrueerne, tallerkenfjedrene og skiverne omhyggeligt.
- ② Spænd skrueerne på det aftagelige håndtag i monteringshullerne til det aftagelige håndtag (to steder) på pladespilleren, og løft langsomt pladespilleren lige op.

Montering af pladematte

4 Læg pladematte på pladetallerkenen.

Tilslutning og opstilling

- Sluk for alle apparater og træk netledningens stik ud af stikkontakten, før du foretager nogen tilslutninger.
- Tilslut først netledningen igen, når alle de andre tilslutninger er foretaget.
- Sørg for at tilslutte PHONO-jordledningen. Ellers kan der opstå brummen.
- Se også den tilsluttede enheds betjeningsvejledning.

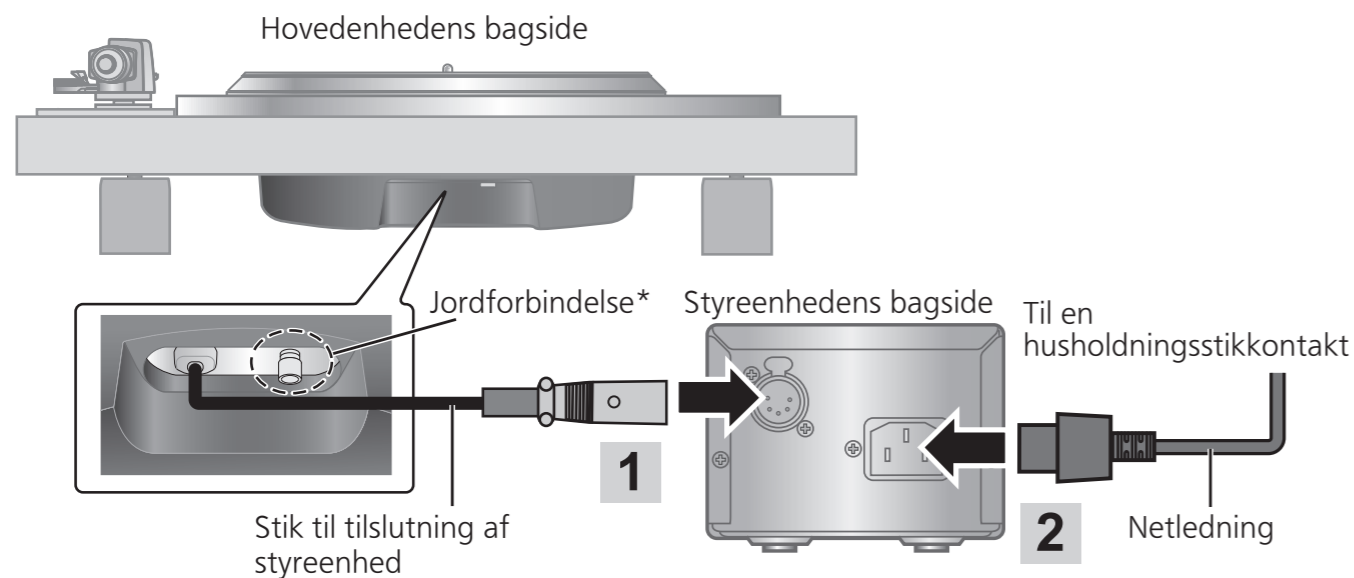
Tilslutning af styreenheden / tilslutning af strømstikket og jordforbindelsen

1 Tilslut styreenhedens tilslutningskabel ved at sætte det ind, indtil det klikker på plads.

2 Tilslut strømforsyningskablet.

3 Tilslut strømstikket og jordforbindelsen.

- Kontrollér kapaciteten på forstærkerens eller receiverens strømudtag, før du bruger det til dette apparat. (Denne pladespiller har et strømforbrug på 10 W.)



*Tilslut jordforbindelsen på hovedenheden til den på forstærkeren med en kommercielt tilgængelig jordledning, når det er nødvendigt.

NB

- Strømafbryderen adskiller ikke enheden helt fra lysnettet, selvom den er slået fra i "OFF"-stilling. Træk stikket ud af stikkontakten, hvis du ikke skal bruge enheden i en længere periode. Placér enheden, så stikket let kan trækkes ud.

Opstilling

■ Installationsbemærkninger

- Vær altid to eller flere personer til installation eller flytning af enheden.
- Før du flytter enheden, sluk for strømmen og frakobl alle tilslutningskabler. Flytning af enheden, når styreenheden er tilsluttet, kan få den til at falde af og medføre tilskadekomst.
- Sørg for at enheden ikke udsættes for direkte sollys, støv, fugt og varme fra radiatorer og lignende.
- Denne enhed kan modtage interferens fra en radio, hvis der er én i nærheden. Hold enheden i så lang afstand som muligt fra radioen.
- Installer ikke enheden på en varmekilde.
- Undgå et sted med store temperatursvingninger.
- Undgå et sted med hyppig kondens.
- Hvis der kræves foranstaltninger for at forhindre at systemet vælter, skal du kontakte leverandøren. Gulv- og vægstyrken må kontrolleres.
- Undgå et ustabilt sted.
- Sørg for, at installationsstedet er tilstrækkelig stærkt til at modstå den samlede vægt af enheden og systemet.
- Læg ikke nogen genstande på denne enhed.
- Installer ikke enheden i et lukket rum, såsom en boghylde.
- Installer enheden på tilstrækkelig afstand fra vægge eller andre enheder for at sikre effektiv varmeafledning fra enheden.
- Træk ikke voldsomt i apparatet efter installationen. Gør du det, kan det beskadige isolatorerne eller gulvets overflade.
- Bemærk, at enheden kan blive beskadiget af cigaretrøg eller fugt fra en ultrasonisk luftfugter.

■ Kondensation

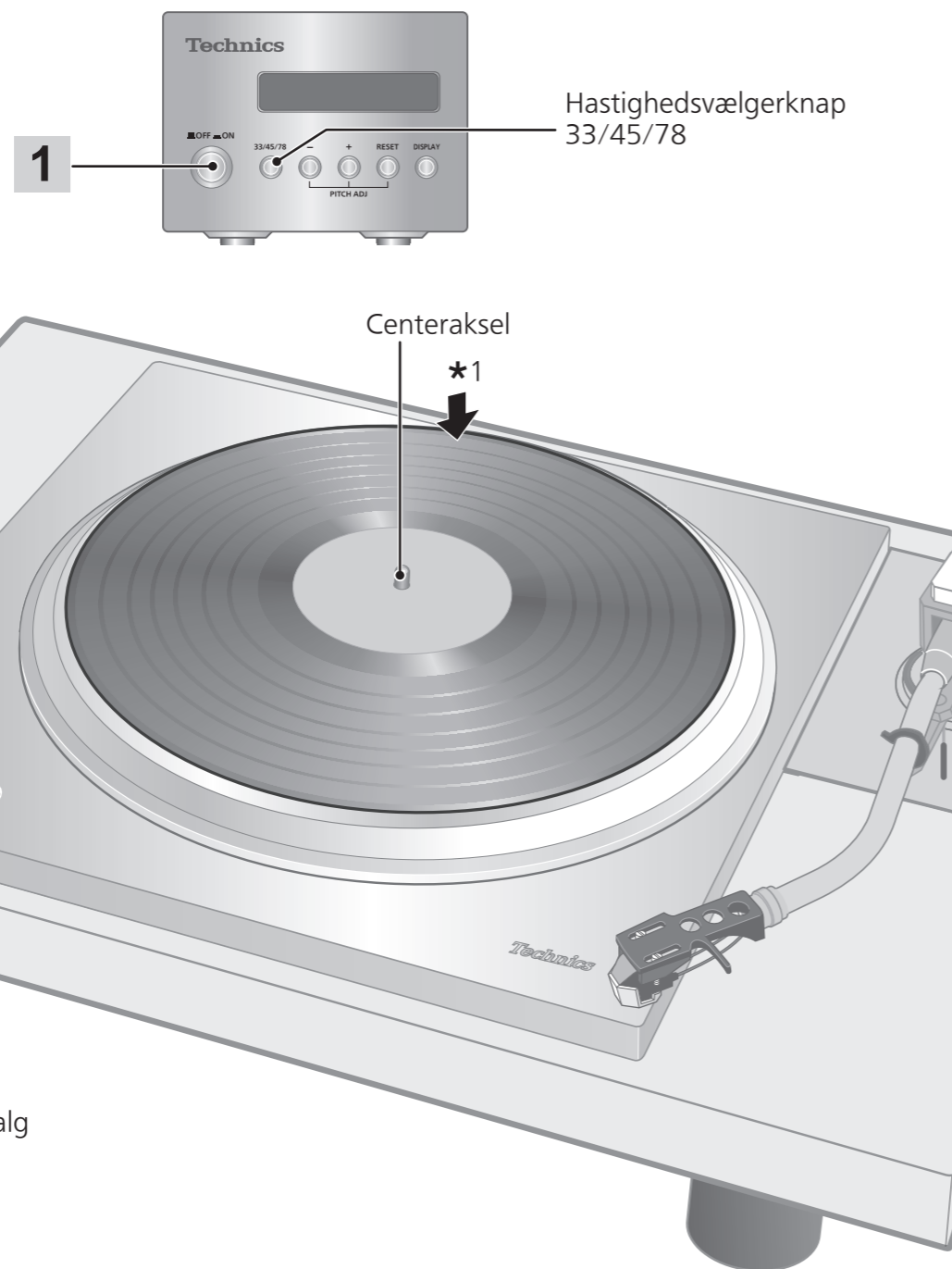
Tænk på, hvad der sker, når man tager en kold flaske ud fra et køleskab. Hvis du lader flasken stå i rummet i et stykke tid, vil dugdråber dannes på flaskens overflade. Dette fænomen kaldes "kondens".

- Betingelser som forårsager kondens
 - ◇ Hurtige temperaturændringer (forårsaget ved at enheden flyttes fra et varmt sted til et koldt sted eller omvendt, hurtig nedkøling eller opvarmning, eller direkte udsættelse for nedkølet luft)
 - ◇ Høj luftfugtighed i et rum med meget damp osv.
 - ◇ Regntid
- Kondens kan beskadige enheden. Hvis det er sket, skal du slukke for enheden og lade den stå, indtil den tilpasser sig den omgivende temperatur (ca. 2 til 3 timer).

Afspilning af plader

Forberedelse

*1 Læg en plade (medfølger ikke) på pladespilleren.

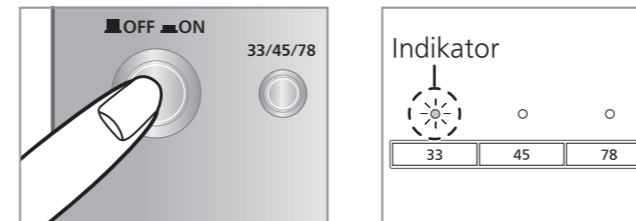


Bemærk

Tryk ikke på [START-STOP], når pladetallerkenen er fjernet.

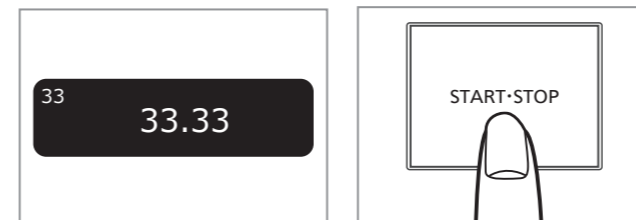
1 Tryk på tænd/sluk-knappen på styreenheden for at tænde den.

Hastigheden indstilles automatisk til 33^{1/3} omdrejninger, indikatorlampen [33] på hovedenheden og pladetallerkenens [33,33] vises på styreenhedens display.



2 Tryk på [START-STOP].

Pladetallerkenen begynder at rotere.

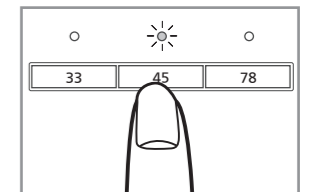


■ Når pladen er slut

- ① Løft pickup-liften, før tonearmen tilbage til armholderen og sænk pickup-liften.
- ② Tryk på [START-STOP]. Den elektroniske bremse standser pladetallerkenen blidt.
- ③ Tryk på tænd/sluk-knappen på styreenheden for at slukke den.
- ④ Lås tonearmen med armklemmen.
- ⑤ Sæt nålebeskytteren på igen (for at beskytte nålespidsen).

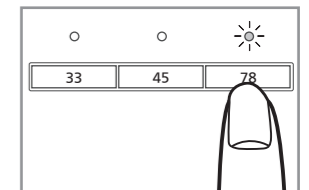
■ Afspilning af EP-plader

- Tryk på hastighedsknap [45] ([45] tændes).
- Sær EP-adapteren på centerakslen.



■ Afspilning af SP-plader

- Tryk samtidig på begge hastighedsknapper [78] ([78] tændes).

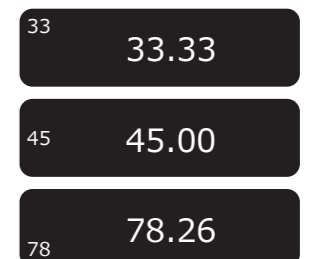


■ Hvis bruger en pladestabilisator (ikke inkluderet)

- Se betjeningsvejledningen for optagestabilisatoren.
- Maksimal vægt: 1 kg

NB

- Pladetallerkenens hastighed kan også ændres ved at trykke på [33/45/78] på styreenheden. (⇒ 21)



Hastighedskontrol (finjustering af omdrejningshastigheden)

1 Tryk på [-] eller [+] på styreenheden for at foretage justeringer.

- Tonehøjden kan indstilles inden for ca. ±16% af den aktuelt indstillede pladetallerkenhastighed [33/45/78].
- Den aktuelle indstillingsværdi vises på styreenhedens display. Displayvisningen er forskellig afhængig af valgt visningstilstand. (Skift visningstilstand ⇨ 21)
- Pladetallerkenhastigheden ændres hver gang tonehøjden justeres, mens pladetallerkenen roterer.

- Værdien øger eller mindsker når der trykkes på knappen.
- Hvis du holder knappen nede, øger eller mindsker værdien hurtigt.

Når du har valgt "pladetallerkenhastighed" som visningstilstand

Den specificerede pladetallerkenhastighed



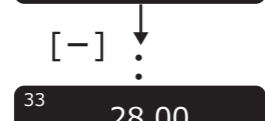
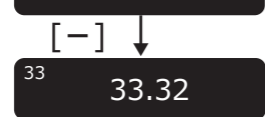
Den justerede værdi (pladetallerkenhastighed)



(Indledende indstilling)



- Værdien til to decimaler vises.
- Pladetallerkenhastigheden kan justeres i trin på ±0,01 omdrejninger.

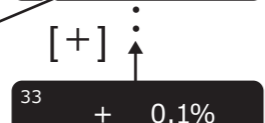


Når visningstilstanden er "tonehøjdeindstilling"

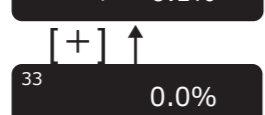
Den specificerede pladetallerkenhastighed



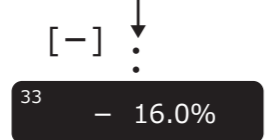
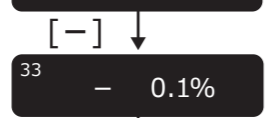
Den indstillede værdi (procent)



(Indledende indstilling)



- Værdien til en decimal vises.
- Tonehøjden kan justeres i trin på ±0,1%.



For at vende tilbage til den fabriksindstillede pladetallerkenhastighed

Tryk på [RESET] på styreenheden. Værdien vender straks tilbage den fabriksindstillede pladetallerkenhastighed. (33^{1/3}, 45 eller 78,26 rpm)

*Styreenhedens display viser fabriksindstillingen.

Pladetallerkenhastigheden ændres til den fabriksindstillede hastighed i tilstanden for indstilling af pladetallerkenhastighed og til 0,0% i tilstanden for tonehøjdeindstilling.

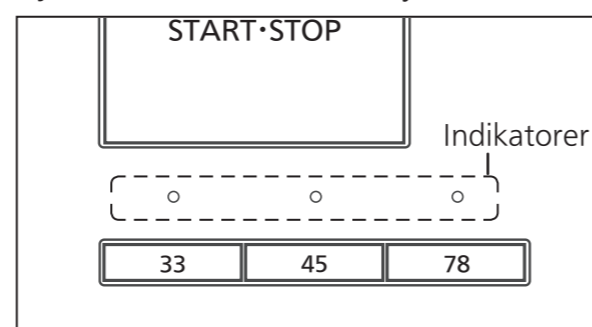
(Visningstilstand: Indstilling af pladetallerkenhastighed)



(Visningstilstand: Tonehøjdeindstilling)



Hastighedsvælgerindikatorerne på styreenheden under tonehøjdekontrol



- Blå LED tændt: Uden tonehøjdekontrol (0,0%)
- Orange LED tændt: Under tonehøjdekontrol

NB

- Tonehøjden kan indstilles separat for hver pladetallerkenhastighed.
- Slukning af tænd/sluk-knappen annullerer tonehøjdeindstillingen. Hvis du tænder for tænd/sluk-knappen igen, returneres værdien til fabriksindstillingen.

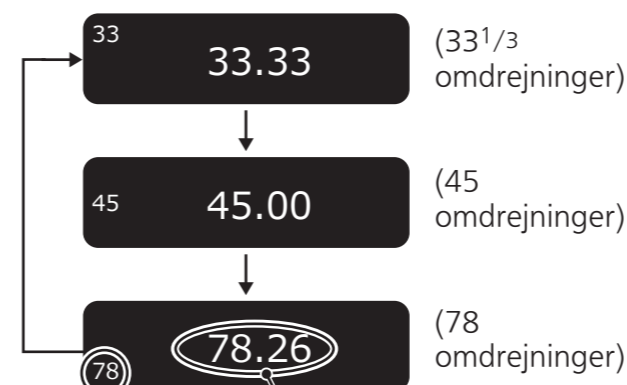
Betjening af og visning på styreenheden

Indstilling af pladetallerkenhastighed

1 Tryk på [33/45/78] på styreenheden.

Hver gang du trykker på [33/45/78] trykkes, ændres pladetallerkenhastigheden i følgende orden: "33" → "45" → "78" → "33" → ...

- Pladetallerkenhastigheden ændres hver gang tonehøjden justeres, mens pladetallerkenen roterer.



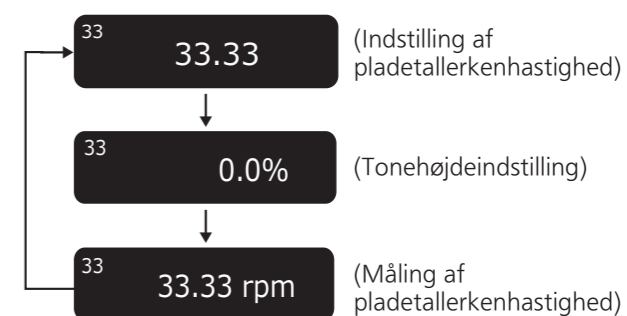
Den specificerede pladetallerkenhastighed

Den justerede værdi (pladetallerkenhastighed)

Skiftning af visningstilstand

1 Tryk på [DISPLAY] på styreenheden.

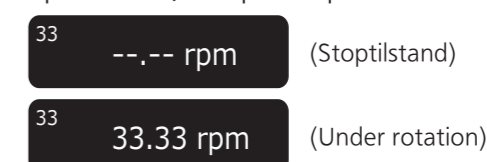
Hver gang du trykker på [DISPLAY], ændres visningstilstanden i følgende orden: "indstilling af pladetallerkenhastighed" → "tonehøjdeindstilling" → "måling af pladetallerkenhastighed" → "indstilling af pladetallerkenhastighed" → ...



Måling af pladetallerkenhastighed

Pladetallerkenens faktiske hastighed kan måles i denne visningstilstand. Skift visningen (se ovenfor) for at skifte til denne tilstand.

- "rpm" (omdrejninger/minut) vises efter den numeriske værdi.
- "--. -- rpm" vises, når pladespilleren er stoppet.



Betjening under "Måling af pladetallerkenhastighed"

Ved at betjene knapperne som nedenfor ændres visningstilstanden til "Indstilling af pladetallerkenhastighed", så du kan foretage indstillingen.

*Visningstilstanden vender tilbage til "Måling af pladetallerkenhastighed", hvis der ikke udføres nogen handling inden for tre sekunder.

- [-]/[+]: Tonehøjden kan justeres. (⇨ 20)
- [RESET]: Værdien vender straks tilbage den fabriksindstillede pladetallerkenhastighed.
- [33/45/78]: Pladetallerkenhastigheden ændres hver gang, der trykkes på knappen.

NB

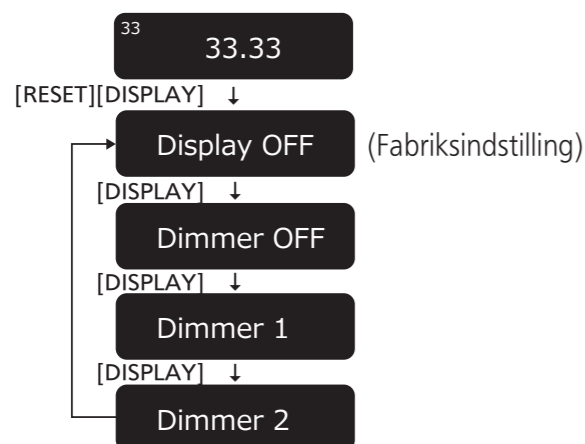
- En gennemsnitlig værdi vises.

Betjening af og visning på styreenheden (fortsat)

Indstilling af lysdæmpningen

Lysdæmpning af displayet aktiveres, hvis styreenheden ikke betjenes i 20 sekunder. Der er fire dæmpningsmønstre.

- 1 Hold [RESET] på styreenheden nede og tryk på [DISPLAY].**
 - Lysdæmpningsindstillingen vises.
- 2 Tryk på [DISPLAY] på styreenheden.** Indstillingen ændres, hver gang du trykker på [DISPLAY].
 - Visningstilstanden vender tilbage til den originale visning, hvis der ikke udføres nogen handlinger inden for tre sekunder.



Display	Lysdæmpning af displayet, når der ikke udføres nogen handlinger under 20 sekunder
Display OFF	Lysstyrken reduceres med et niveau. ⇒ (Ingen handling i yderligere fem sekunder) ⇒ Lysstyrken reduceres med to niveauer. ⇒ (Ingen handling i yderligere fem sekunder) ⇒ Slukkes
Dimmer OFF	Ingen lysdæmpning (altid tændt)
Dimmer 1	Lysstyrken reduceres med et niveau.
Dimmer 2	Lysstyrken reduceres med to niveauer.

- Efter indstillingen justeres lysstyrken umiddelbart til den indstillede værdi. Displayet slukkes straks, hvis du vælger "Display OFF".
- Ved at trykke på en knap (enhver anden knap end strømknapen) på styreenheden, mens lysdæmperen er aktiv, får skærmen til at vende tilbage til fuld lysstyrke.

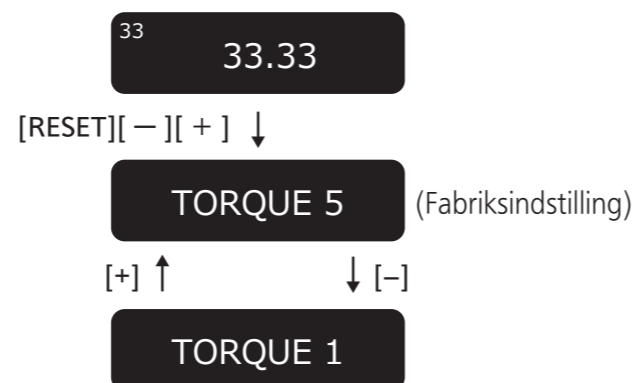
NB

- Indstillingen bliver gemt. Når der tændes for strømmen næste gang, gendannes den indstilling, som var i gang, da strømmen sidst blev slået fra.

Justering af drejningsmomentet for at rotere pladetallerkenen ved en konstant hastighed

Tryk på [START•STOP] og juster så drejningsmomentet (rotationsstyrke) mellem fem niveauer for at pladetallerkenen skal rotere med en konstant hastighed.

- 1 Hold [RESET] på styreenheden nede og tryk på [-] og [+] samtidigt.**
 - Omdrejningsmoment-indstillingen vises.
- 2 Tryk på [-] eller [+] på styreenheden for at foretage justeringer.**
 - Vælg et af de fem niveauer fra "TORQUE1" til "TORQUE5". Værdien øger eller mindsker når der trykkes på knappen.
 - Benyt oversigten nedenfor som en vejledning.
 - Visningstilstanden vender tilbage til den originale visning, hvis der ikke udføres nogen handlinger inden for tre sekunder.



Display	Drejningsmoment til at konstant rotationshastighed
TORQUE5	Maksimum (Fabriksindstilling)
TORQUE4	↕
TORQUE3	
TORQUE2	
TORQUE1	Minimum

NB

- Indstillingen bliver gemt. Når der tændes for strømmen næste gang, gendannes den indstilling, som var i gang, da strømmen sidst blev slået fra.

Vedligeholdelse

■ Rengøring af hovedenheden

Tør hovedenheden og andre komponenter af med en tør, blød klud.

Hvis delene er meget snavset, kan du vride en våd klud hårdt til at tørre snavset af, og derefter tørre delene med en blød klud.

- Anvend ikke opløsningsmidler inklusive rensbenzin, fortynder, alkohol, rengøringsmidler til køkkenet, kemiske tørreklude osv., fordi dette kan deformere kabinettet eller medføre at overfladebehandlingen skaller af.

■ Flytning af enheden

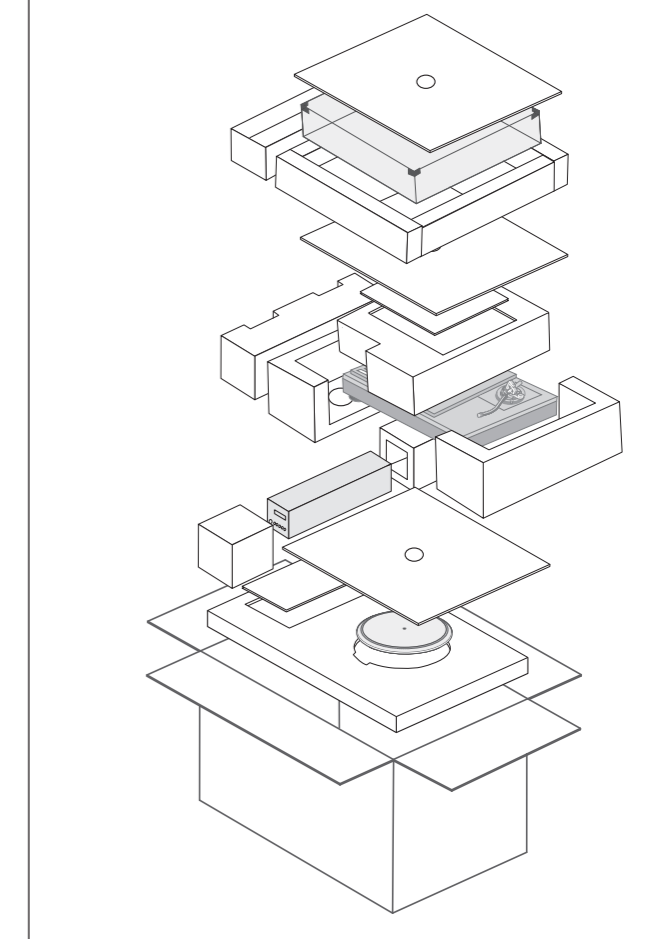
Pak enheden ned i den originale emballage. (⇒ 12)

Opbevar emballagen, når du har taget varerne ud af den.

Gør således, hvis du ikke længere har emballagen:

- Tag pladetallerkenen og plademåtten af og pak dem omhyggeligt ind.
- Pak omhyggeligt hovedenheden ind i et tæppe eller kraftigt papir.

Ompakning



■ WEEE-symbolet

Bortskaffelse af produktet uden for EU-landene

- Dette symbol er kun gyldigt indenfor EU. Kontakt din kommune eller din forhandler for at bekræfte den rigtige måde til bortskaffelse.

Fejlfindingsoversigt

Fejlfinding – Udfør kontrollerne nedenfor, før du anmoder om service. Kontakt din forhandler, hvis du er i tvivl om nogen af kontrolpunkterne eller hvis afhjælpningsforanstaltningerne i oversigten ikke løser problemet.

Ingen strøm.

- Er netledningens stik sat i en stikkontakt?
→ Sæt netstikket helt i. (⇒ 16)
- Er styreenheden forbundet med hovedenheden?
→ Indsæt styreenhedens tilslutningskabel, indtil det klikker. (⇒ 16)

Ingen visning på styreenhedens display.

- Er strømstikket tilsluttet?
→ Indsæt det ordentligt. (⇒ 16)
- Er strømmen tændt?
→ Tryk på tænd/sluk-knappen for at tænde for strømmen. (⇒ 18)
- Er lysdæmpningen på displayet aktiveret?
→ Betjen en knap (enhver anden knap end tænd/sluk-knappen) på styreenheden. (⇒ 22)

■ Fejlkode

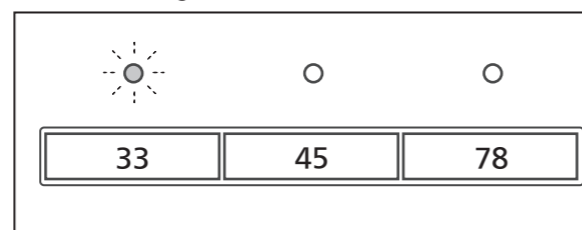
Fejlmeddelelse vil blive meddelt om nødvendigt på styreenhedens display og med indikatorerne for hastighedsvælgerknapperne på hovedenheden.

Styreenhedens display	Foranstaltning
Unconnected	Kontroller at styreenheden er forbundet med hovedenheden. (⇒ 16)
F58 F76 F17	Henvend dig til din forhandler. <ul style="list-style-type: none">• En af [33/45/78] hastighedsvælgerknapperne på hovedenheden blinker (hurtigt eller langsomt) i orange.• Opgiv det viste nummer og LED'ens blinkmønster på tidspunktet ved samrådet.

(Eksempel på styreenhedens visning i tilfælde af en fejl)

Unconnected

(Eksempel på indikatorerne på hovedenhedens hastighedsvælgerknapper i tilfælde af en fejl)
Blinker orange.



Specifikationer

Generelt	
Strømforsyning	110 - 240 V vekselstrøm, 50/60 Hz
Effektforbrug	10 W (tændt) 0,05 W (slukket)
Mål (B×H×D)	<Styreenhed> 110×84×350 mm <Hovedenhed> 365×109×365 mm
Vægt	<Styreenhed> Ca. 2.1 kg <Hovedenhed> Ca. 18.2 kg
Driftstemperatur	0 °C til 40 °C
Luftfugtighed ved drift	35 % til 80 % Relativ luftfugtighed (uden kondensering)

Pladespiller	
Drivsystem	Direkte drift
Motor	Børsteløs DC-motor
Pladetallerken	Kombineret trykstøbt messing og aluminium Diameter: 323 mm Vægt: Ca. 7,9 kg (inklusive pladetallerkenmåttan)
Omdrejningshastigheder	33-1/3, 45 og 78* rpm
Hastighedskontrolområder	±16 %
Startmoment	0,39 N·m (4,0 kg-cm)
Bremsesystem	Elektronisk bremse
Wow og flutter	0,015 % W.R.M.S. (JIS C5521)
Tilslutninger	
Udgangsterminal	Jordforbindelse

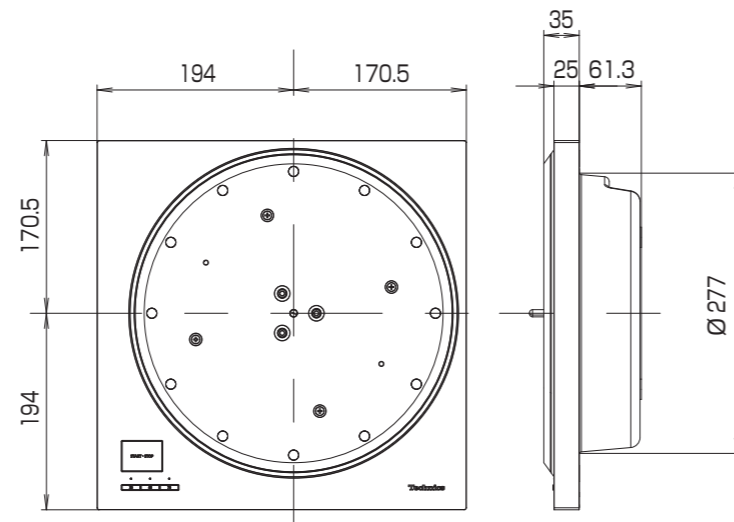
Specifikationerne kan ændres uden varsel.

*Pladespillerens hastighed vil være 78,26 rpm., når den er indstillet til 78 rpm (Tonehøjdekontrol 0,0%).

Dimensionstegninger

■ Eksterne dimensioner

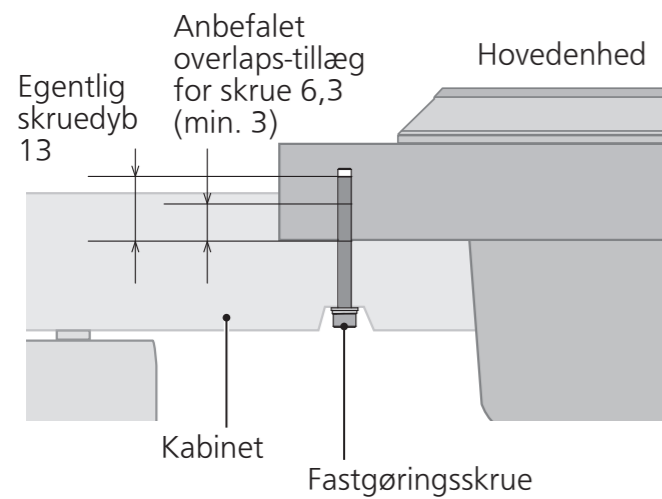
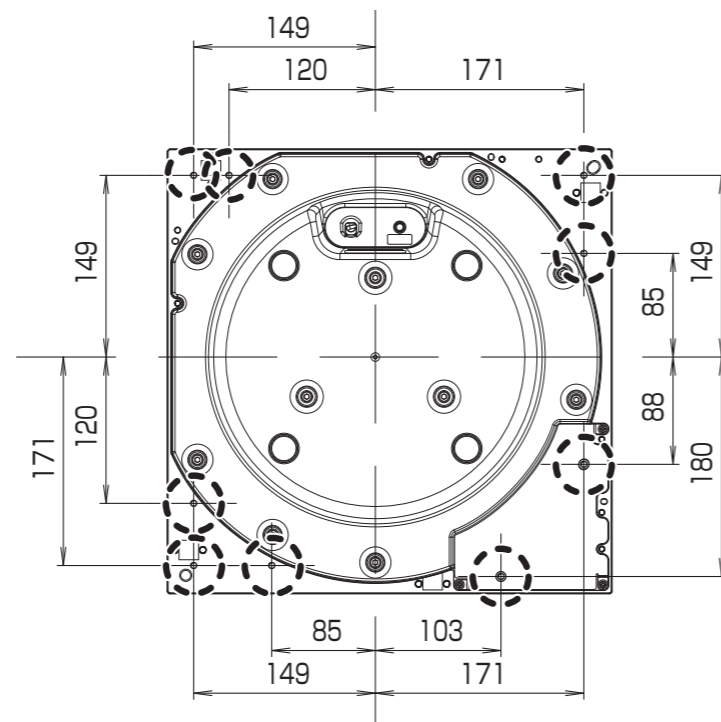
Vælg et kabinet, der passer til pladespillerens eksterne dimensioner.
<Enhed: mm>



■ Placeringen af skruerne til fastgørelse af kabinettet

Fastgør pladespilleren til kabinettet i de ni positioner (markeret med stiplede linjer) vist figuren til højre (hovedenhedens bund).
<Enhed: mm>

- Fastgøringskrue: M5
Se tværsnittet nedenfor, når du vælger fastgøringskruernes længde.



Inleiding

Hartelijk dank voor de aankoop van dit product.
Lees deze instructies aandachtig voordat u dit product gebruikt en bewaar deze handleiding voor toekomstig gebruik.

- Over de beschrijvingen in deze gebruiksaanwijzing
 - Betreffende pagina's worden aangeduid als „(⇒ 00)“.
 - De getoonde illustraties kunnen verschillen van uw apparaat.

Kenmerken

Kernloze motor met directe aandrijving voor soepele en nauwkeurige rotatie

- De nieuwe kernloze motor met directe aandrijving kan de minuscule trillingen tijdens de rotatie verminderen door te zorgen voor een krachtig koppel om de grote klasse draaitafel te besturen.
- De motorbedieningstechnologie met hoge precisie verandert de aandrijfmodus volgens de motorbewerkingsstatus om een hoge rotatienauwkeurigheid te bereiken.

Draaischijf met drie lagen voor stabiele rotatie

- De drielaagse draaitafelstructuur bestaat uit messing, aluminium spuitgegoten en isolerend rubber dat tegen ongewenste resonantie is en aan de onderkant is bevestigd.
- Dichte wolframgewichten bevinden zich aan de buitenomtrek van het messingdeel om grote traagheidsmassa te leveren. Isolator gebruikt om externe trillingen buiten te sluiten. Ruisonderdrukkingscircuit is ontwikkeld om ruis in de spanningsvoorziening te verminderen.

Speciale besturingseenheid die ongewenste storing van ruis met de hoofdeenheid kan elimineren

- Het stroomcircuit en regelcircuit zijn gescheiden om ongewenste, externe, storende interferentie met de hoofdeenheid tot een minimum te beperken en opgeslagen te kunnen worden in een enkele besturingseenheid.
- De nieuwe schakelende voeding met een ruisonderdrukkingscircuit is ontwikkeld om ruis in de spanningsvoorziening te verminderen.

Compatibiliteit met SP-10MK2 en SP-10MK3

- De speler bewaart de onderste vorm en schroeflocaties van SP-10MK2 en SP-10MK3 zodat u uw kast en toonarm kunt blijven gebruiken.

Inhoudsopgave

• Vóór gebruik

Veiligheidsmaatregelen	06
Accessoires	09
Naam van onderdelen	10

Vóór gebruik

• Ermee beginnen

Uitpakken en voorbereiding	12
• Opmerkingen over het uit de verpakking halen en vervoeren van de goederen	12
Ineenzetten van de platenspeler	13
• Voordat u de speler in elkaar zet (met betrekking tot de kast en toonarm)	13
• Montage op de kast	13
• De draaischijf aanbrengen	15
• De draaischijfmat aanbrengen	15
Aansluiten en installeren	16
• Collegamento dell'unità di comando / Collegamento della spina di alimentazione e della messa a terra ...	16
• Installeren	17

Ermee beginnen

• Afspelen

Platen afspelen	18
Snelheidsregeling (fijnafstelling van snelheid)	20
Bediening en weergave van de bedieningseenheid	21
• Instelling draaischijfsnelheid	21
• De weergavemodus omschakelen	21
• Instelling draaischijf meten	21
• Schermdimmerinstelling	22
• De koppel aanpassen zodat de draaischijf met een constante snelheid draait	22

Afspelen

• Onderhoud

Onderhoud	23
Gids voor het verhelpen van storingen	24
Technische gegevens	25
Maattekeningen	26

Onderhoud

Veiligheidsmaatregelen

Waarschuwing

Apparaat

- Om het risico op brand, een elektrische schok of productschade te verkleinen,
 - Stel dit apparaat niet bloot aan regen, vocht, druppels of spatten.
 - Plaats geen voorwerpen gevuld met vloeistoffen, zoals vazen, op dit apparaat.
 - Gebruik alleen de aanbevolen accessoires.
 - Verwijder geen afdekkingen.
 - Voer zelf geen reparaties aan dit apparaat uit.
Laat onderhoud over aan gekwalificeerd onderhoudspersoneel.
 - Zorg dat er geen metalen voorwerpen in dit apparaat terecht komen.
 - Zet geen zware voorwerpen op dit apparaat.

AC-netsnoer

- Om het risico op brand, een elektrische schok of productschade te verkleinen,
 - Controleer of de voltage van de stroomtoevoer overeenkomt met de voltage afgedrukt op dit apparaat.
 - Steek de netstekker volledig in het stopcontact.
 - Trek niet aan het snoer, buig het niet te sterk en zet er geen zware voorwerpen op.
 - Raak de stekker niet aan met natte handen.
 - Houd de netstekker vast bij het verwijderen van de stekker uit het stopcontact.
 - Gebruik geen beschadigde netstekker of beschadigd stopcontact.
- De netstekker is het middel voor ontkoppeling.
Plaats dit apparaat op zodanige wijze dat de netstekker onmiddellijk uit het stopcontact kan worden gehaald.
- Zorg dat de aardingspen op de netstekker goed is aangesloten om een elektrische schok te voorkomen.
 - Een apparaat van KLASSE I moet worden aangesloten op een stopcontact met een beschermende aardaansluiting.

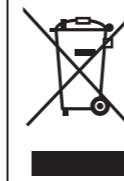
Let op

Apparaat

- Plaats geen bronnen van open vuur, zoals brandende kaarsen, op dit apparaat.
- Dit apparaat kan radiostoring ontvangen die wordt veroorzaakt door in gebruik zijnde mobiele telefoons.
In geval van een dergelijke storing vergroot u de afstand tussen dit apparaat en de mobiele telefoon.
- Dit apparaat is bedoeld voor gebruik in gematigde en tropische klimaten.
- Plaats geen voorwerpen op dit apparaat.
Dit apparaat wordt heet terwijl het aan staat.
- Vervoer de hoofdeenheid altijd met twee of meer personen.
- Wees voorzichtig dat uw handen en/of vingers niet bekneld raken in de draaischijf wanneer u deze in elkaar zet.

Opstelling

- Plaats dit apparaat op een vlakke ondergrond.
- Om het risico op brand, een elektrische schok of productschade te verkleinen,
 - Installeer of plaats dit apparaat niet in een boekenkast, ingebouwde kast of andere besloten ruimte.
Zorg voor een goede ventilatie van dit apparaat.
 - Blokkeer de ventilatieopeningen van dit apparaat niet met kranten, tafelkleedjes, gordijnen en dergelijke.
 - Stel dit apparaat niet bloot aan direct zonlicht, hoge temperaturen, hoge vochtigheid en overmatige trillingen.
- Zorg ervoor dat de plaatsingslocatie stevig genoeg is om het gewicht van dit apparaat te dragen (⇒ 25).
- Houd dit apparaat niet bij de knoppen vast om het op te tillen of te dragen. Doet u dit wel, dan kan dit apparaat vallen, met persoonlijk letsel of storing van dit apparaat tot gevolg.



Het ontdoen van oude apparatuur.

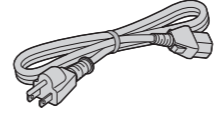
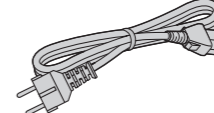
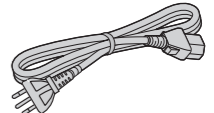
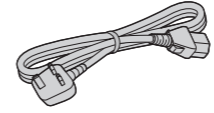
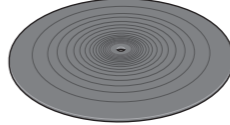


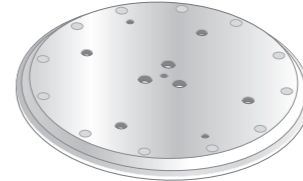
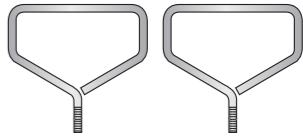
Enkel voor de Europese Unie en landen met recycle systemen.

Dit symbool op de producten, verpakkingen en/of begeleidende documenten betekent dat gebruikte elektrische en elektronische producten niet samen mogen worden weggegooid met de rest van het huishoudelijk afval. Voor een juiste verwerking, hergebruik en recycling van oude producten, gelieve deze in te leveren bij de desbetreffende inleverpunten in overeenstemming met uw nationale wetgeving. Door ze op de juiste wijze weg te gooien, helpt u mee met het besparen van kostbare hulpbronnen en voorkomt u potentiële negatieve effecten op de volksgezondheid en het milieu. Voor meer informatie over inzameling en recycling kunt u contact opnemen met uw plaatselijke gemeente. Afhankelijk van uw nationale wetgeving kunnen er boetes worden opgelegd bij het onjuist weggooien van dit soort afval.

Accessoires

Sommige onderdelen zijn uit elkaar genomen teneinde beschadiging tijdens de verscheping te voorkomen.

Controleer de bijgeleverde accessoires.

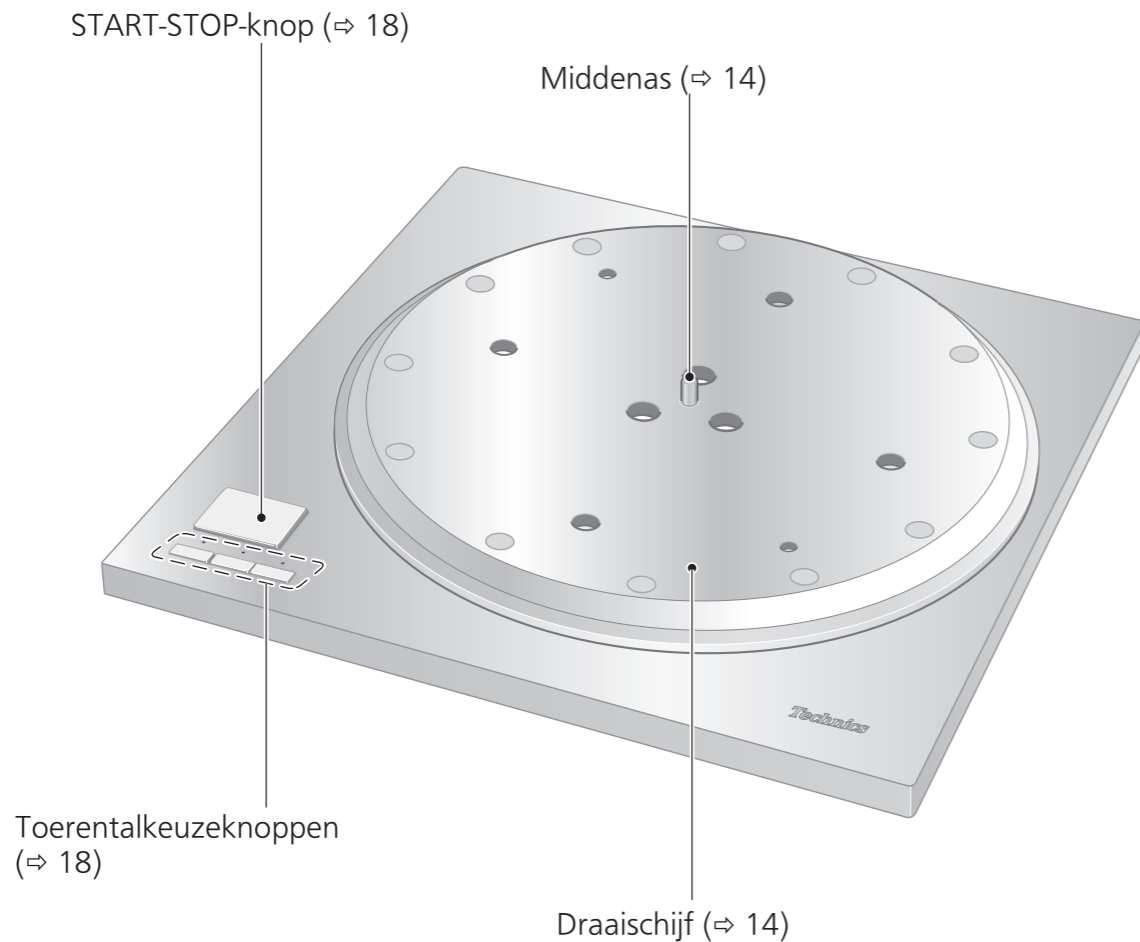
<p>AC-netsnoer (1 st.) (K2CG3YY00191)</p> 	<p>AC-netsnoer (1 st.) (K2CM3YY00041)</p> 	<p>AC-netsnoer (1 st.) (K2CS3YY00033)</p> 
<p>AC-netsnoer (1 st.) (K2CT3YY00081)</p> 	<p>Draaischijfmat (1 st.) (RGS0008)</p> 	<p>EP-plaatadapter (1 st.) (TEKX077)</p> 
<p>Schroevenset voor draaischijf (1 st.) (TYL0194)</p> <ul style="list-style-type: none"> ● Schroeven-lang (3 st.) ● Sluitringen (3 st.) ● Belleville-veren (3 st.) 	<p>Draaischijf (1 st.) (TYL0195)</p> 	<p>Afneembare handgreep (2 st.) (TXQ0020)</p> 

- De modelnummers van de accessoires zijn geldig vanaf februari 2018. Ze kunnen worden gewijzigd zonder voorafgaande kennisgeving.
- Bewaar het verpakkingsmateriaal nadat u de goederen verwijderd heeft. U hebt deze nodig wanneer u het product op lange afstand gebruikt.
- Volg de plaatselijke voorschriften bij het weggooien van het product.
- Gebruik geen andere AC-netsnoer dan de meegeleverde kabel.
- Houd het hulpgewicht, de schroeven en sluitringen buiten het bereik van kinderen om inslikken te voorkomen.

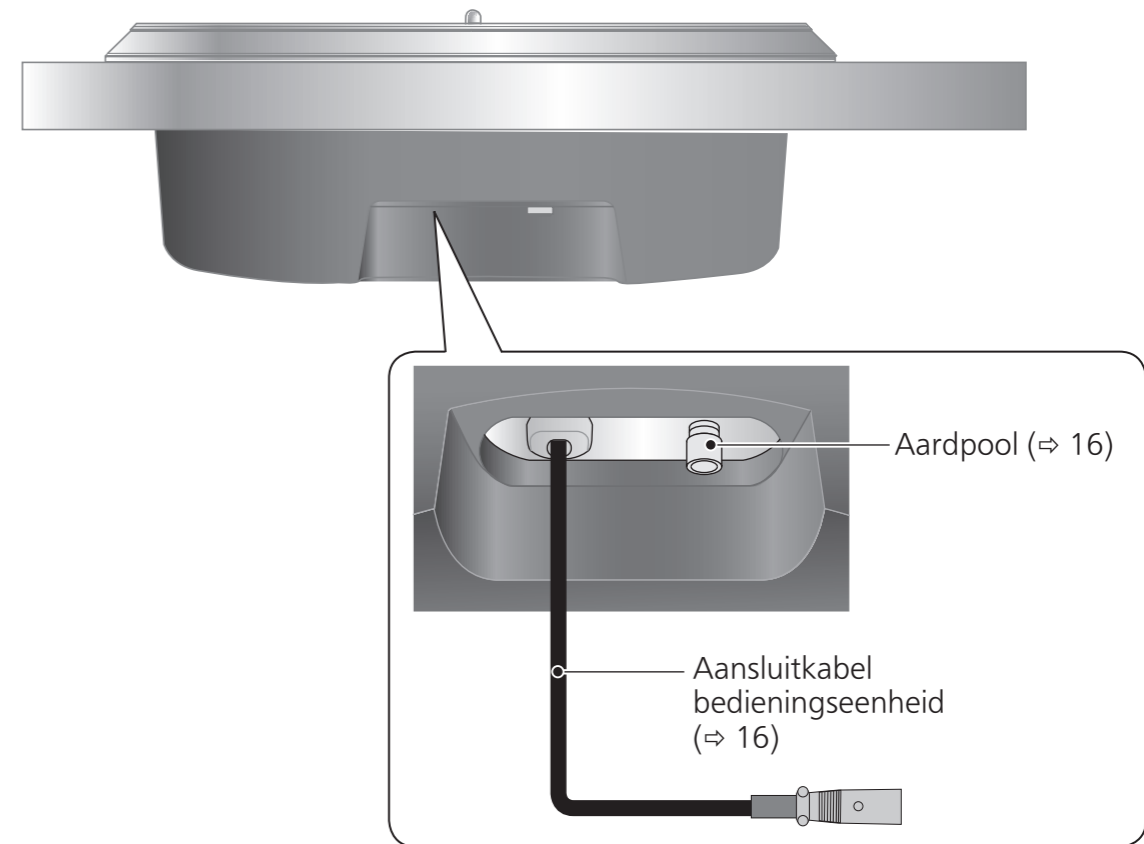
Naam van onderdelen

Nummers zoals (⇒ 00) geven referentiepagina's aan.

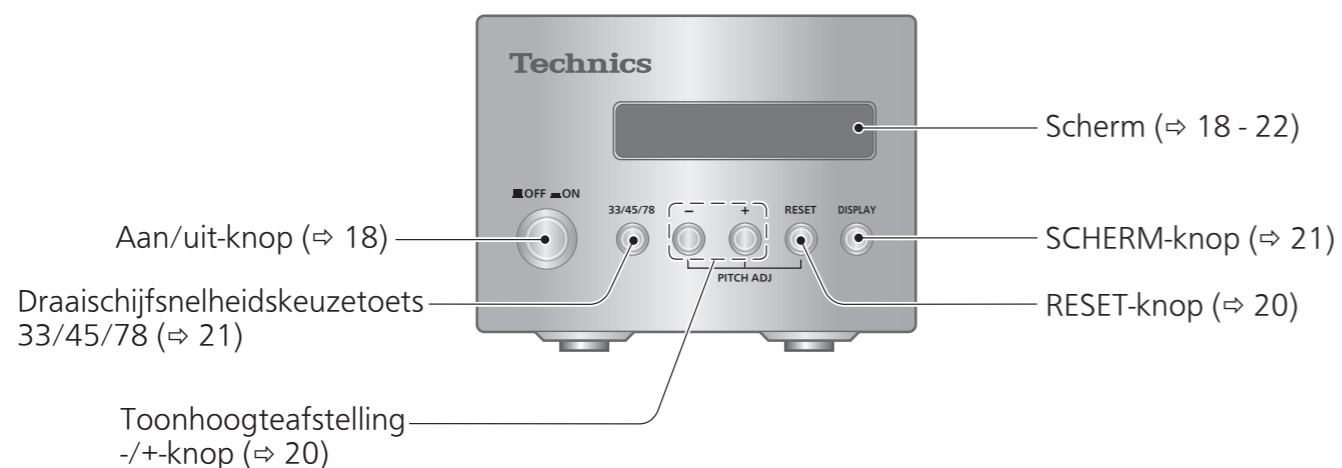
Hoofdeenheid (voorkant)



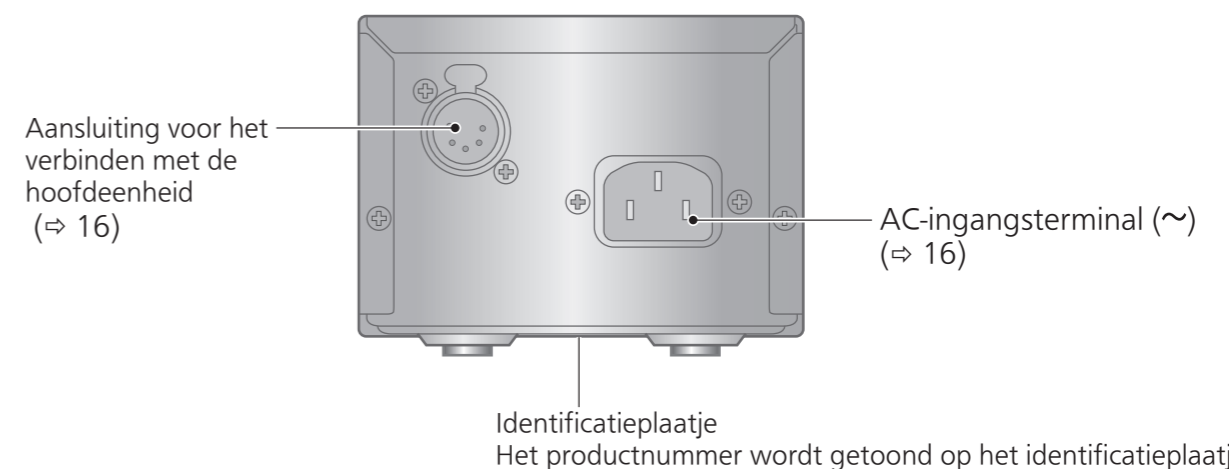
Hoofdeenheid (achterkant)



Bedieningseenheid (voorkant)



Bedieningseenheid (achterkant)



Uitpakken en voorbereiding

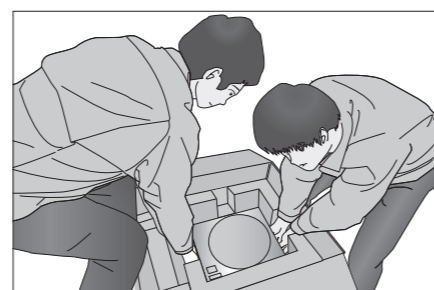
Opmerkingen over het uit de verpakking halen en vervoeren van de goederen

Aandacht

- Vervoer de hoofdeenheid altijd met twee of meer personen.
- Zorg ervoor dat u de balans niet verliest als u het apparaat optilt met uw handen in een niet-optimale positie.
 - U kunt uw rug bezeren.
 - U kunt het evenwicht verliezen bij het lopen op een trap en dit kan leiden tot letsel.
- Let op dat uw vingers niet bekneld raken bij het verwijderen van de hoofdeenheid.
- Let op dat uw vingers niet bekneld raken in de ruimte tussen de onderkant van de hoofdeenheid en de vloer.
- Bewaar het verpakkingsmateriaal nadat u de goederen verwijderd heeft.
- Pak de goederen uit nadat u besloten heeft waar u het apparaat gaat installeren.
- Raadpleeg „installatie” (⇒17) voor opmerkingen betreffende de installatie.

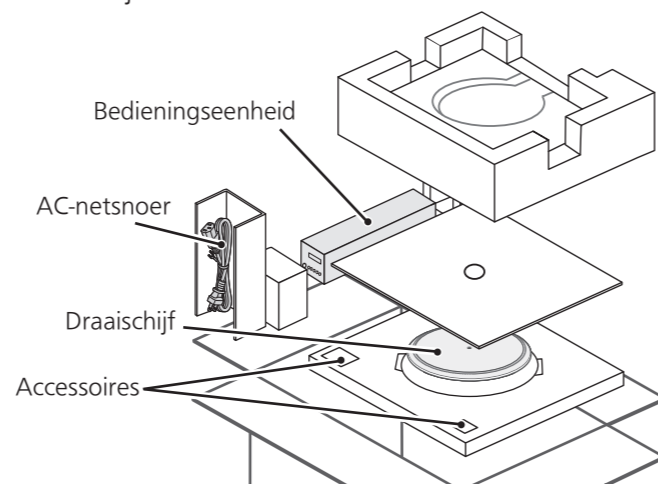
- ① Pak het draaischijfvel en de bedieningsinstructies.
- Houd accessoires buiten het bereik van kinderen.
 - De hoofdeenheid en de bedieningseenheid worden verpakt in beschermende vellen.

- ② Plaats uw handen tussen de verpakkingkussens (gedeelte met stippelijntje van het bovenaanzicht van de verpakkingendoos) en til langzaam de hoofdeenheid op om deze eruit te halen. Voer deze taak altijd met twee of meer personen uit.
- Wees zeer voorzichtig bij het optillen van de hoofdeenheid.
 - Houd de hoofdeenheid aan de onderkant vast om te voorkomen dat deze uit uw handen glijdt.
 - Voer de taak met beide handen uit om het evenwicht niet te verliezen.

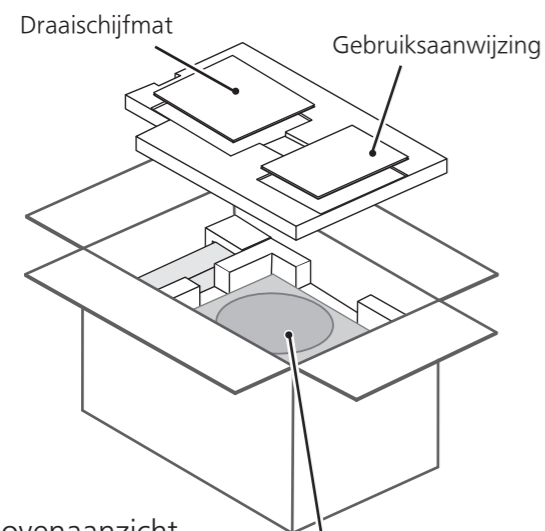
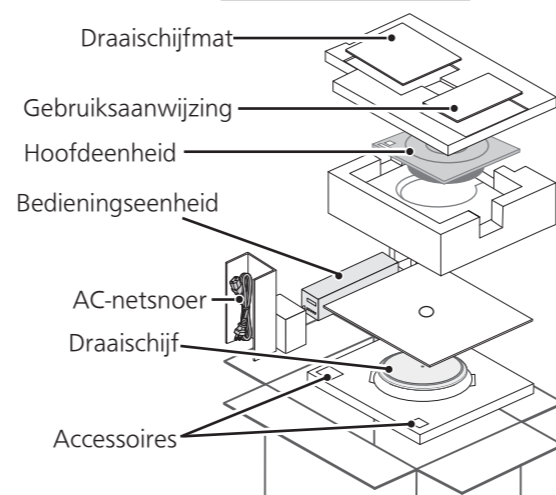


Afbeelding optiltaak

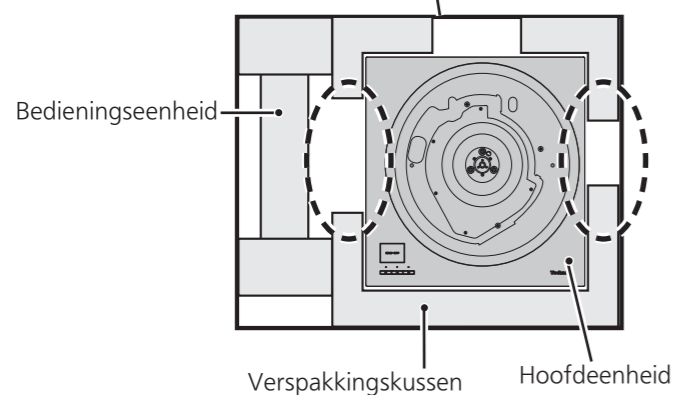
- ③ Verwijder de bedieningseenheid, AC-voedingskabel, draaischijf en andere accessoires.



Verpakkingsvolgorde



Bovenaanzicht verpakkingendoos



Ineenzetten van de platenspeler

Voordat u de speler in elkaar zet (met betrekking tot de kast en toonarm)

Met betrekking tot de kast

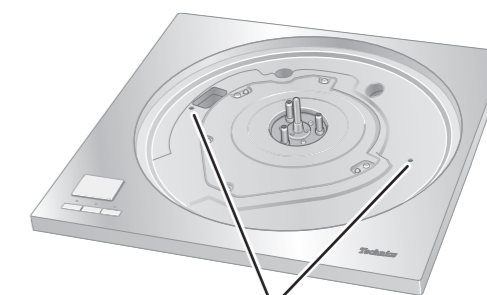
- Deze speler behoudt de onderste vorm en schroeflocaties van SP-10MK2 en SP-10MK3 zodat u uw kast en toonarm kunt blijven gebruiken voor een systeem met SP-10MK2 of SP-10MK3.
- Deze speler is een model met een grote startkoppel. Om volledig gebruik te maken van de kenmerken en prestaties, gebruikt u een kast gemaakt van dik materiaal.
- Wanneer u een kast kiest, bepaalt u de externe afmetingen op basis van de effectieve lengte van uw toonarm.
- Gebruik stevige en sterke isolatoren om de kast te ondersteunen.
- Afmetingen voor montage van speler (⇒26)

Betreffende de bevestiging van de toonarm

- Gebruik de basis van de toonarm die afzonderlijk wordt verkocht. Raadpleeg de bedieningsinstructies voor de toonarmbasis en de toonarmfolder voor informatie zoals de montage methode.

Montage op de kast

- 1 Draai de schroeven van de afneembare handgreep vast in de montagegaten van de afneembare handgreep (twee locaties) op de hoofdeenheid.**
- 2 Til de hoofdeenheid voorzichtig op en plaats deze op de kast.**
- 3 Bevestig de hoofdeenheid op de kast met schroeven.**
 - Monteer door de bedieningsinstructies van de kast te volgen.



Afneembare handgreep montagegat

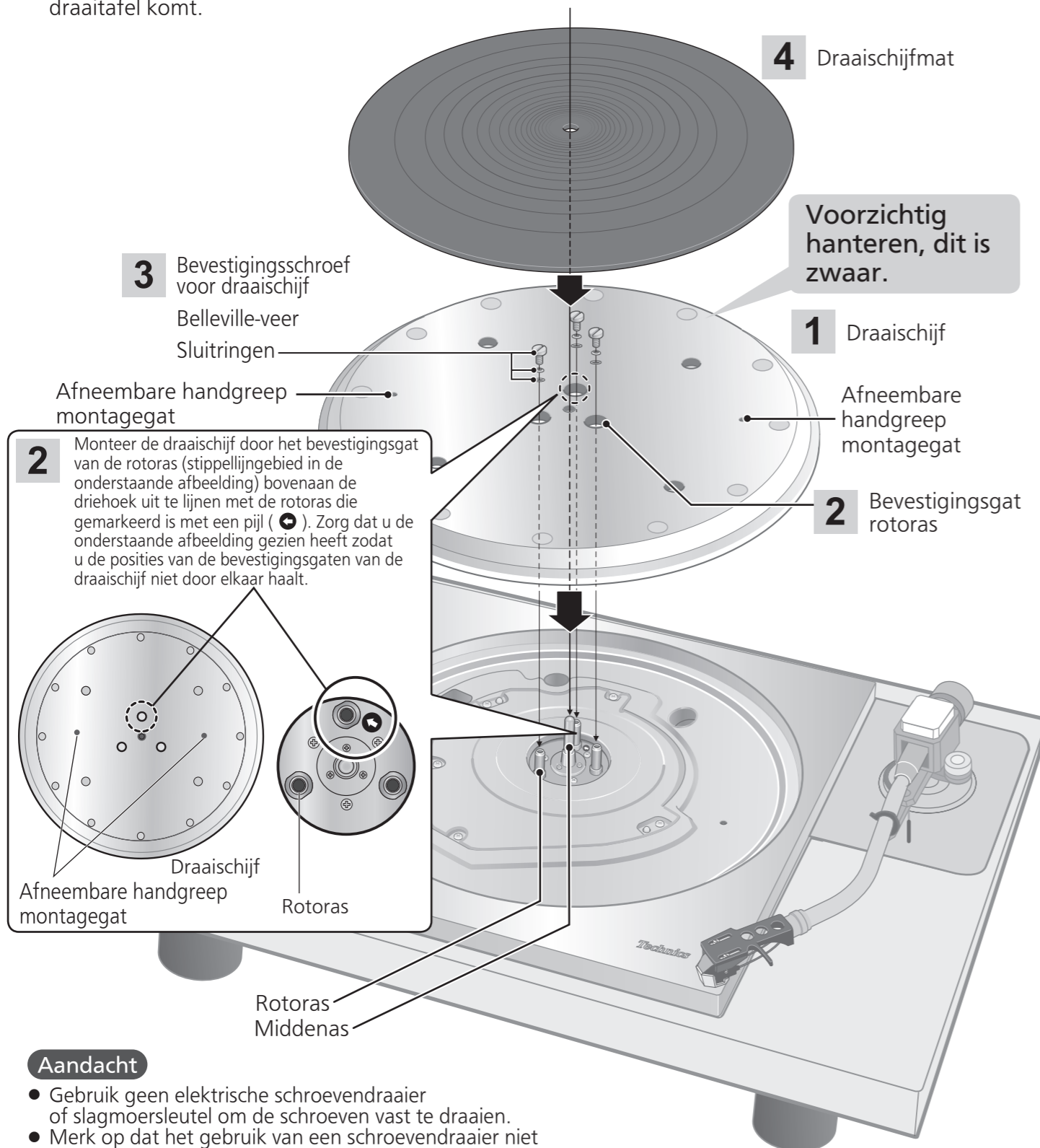


Ineenzetten van de platenspeler (vervolg)

Sommige onderdelen zijn uit elkaar genomen teneinde beschadiging tijdens de verschepping te voorkomen. Monteer de platenspeler in de hieronder beschreven volgorde.

Aandacht

- Sluit het AC-netsnoer niet aan voordat de montage is voltooid.
- Bij de montage van de draaitafel, voorkom dat vreemd materiaal tussen het hoofdtoestel en de draaitafel komt.

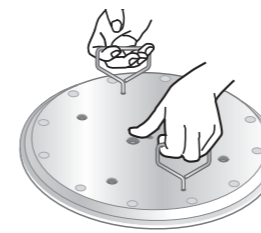


Aandacht

- Gebruik geen elektrische schroevendraaier of slagmoersleutel om de schroeven vast te draaien.
- Merk op dat het gebruik van een schroevendraaier niet passend bij de schroeven voor het monteren van de draaischijf, het apparaat kan beschadigen.

De draaischijf aanbrengen

1



Draai de schroeven van de afneembare handgreep vast in de montagegaten van de

afneembare handgreep (twee locaties) op de draaischijf. Til de draaischijf langzaam op en zet deze dan zodanig neer dat de middenspil in het gat in het midden van de draaischijf valt.

Aandacht

- Draai de afneembare handgreep vast door deze 5 of meer keren te draaien. Als u deze tot het einde hebt vastgedraaid, draait u deze weer een beetje los. Draai niet te stevig vast.
- Wees voorzichtig bij het hanteren van de draaischijf, aangezien deze zwaar is.
- Verwijder vingerafdrukken of vuil met een zachte doek.

2

Laat de draaischijf langzaam neer en lijn hierbij de bevestigingsgaten voor de rotorassen (drie locaties) uit met de rotorassen.

- Monteer met behulp van de rotoras met de pijlmarkering als gids. (⇒ 14)

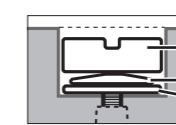
Aandacht

- Bij verkeerde uitlijning van de rotorassen blijft er een speling tussen de draaischijf en het hoofdapparaat en kunt u de draaischijf niet juist bevestigen. Forceer de draaischijf niet bij het neerlaten.



3

Breng de sluitringen, schotelveren en schroeven voor de draaischijf aan op de bevestigingsgaten van de rotorassen, en draai de bevestigingsschroeven goed vast.



Bevestigingsschroef voor draaischijf
Belleville-veer
Sluitringen

Aandacht

- Zorg er bij het aandraaien van de schroeven voor dat de schroefkoppen niet uitsteken boven het oppervlak van de draaischijf.
- Draai de drie schroeven gelijkmatig aan. Als u dit niet doet, kan de draaischijf rammelen of onstabiel draaien. Controleer of er geen schroeven los zitten.

De draaischijf verwijderen

- ① Draai de bevestigingsschroeven voor de draaischijf los en verwijder ze. -Bewaar de schroeven, schotelveren en sluitringen zorgvuldig.
- ② Draai de schroeven van de afneembare handgreep vast in de montagegaten (twee plekken) van de afneembare handgreep op de draaischijf en til de draaischijf langzaam recht omhoog.

De draaischijfmat aanbrengen

4

Leg de draaischijfmat op de draaischijf.

Aansluiten en installeren

- Schakel alle apparaten uit en haal het AC-netsnoer uit het stopcontact voordat u aansluitingen maakt.
- Sluit het AC-netsnoer pas weer aan nadat alle aansluitingen zijn voltooid.
- Raadpleeg ook de handleiding van het aangesloten toestel.

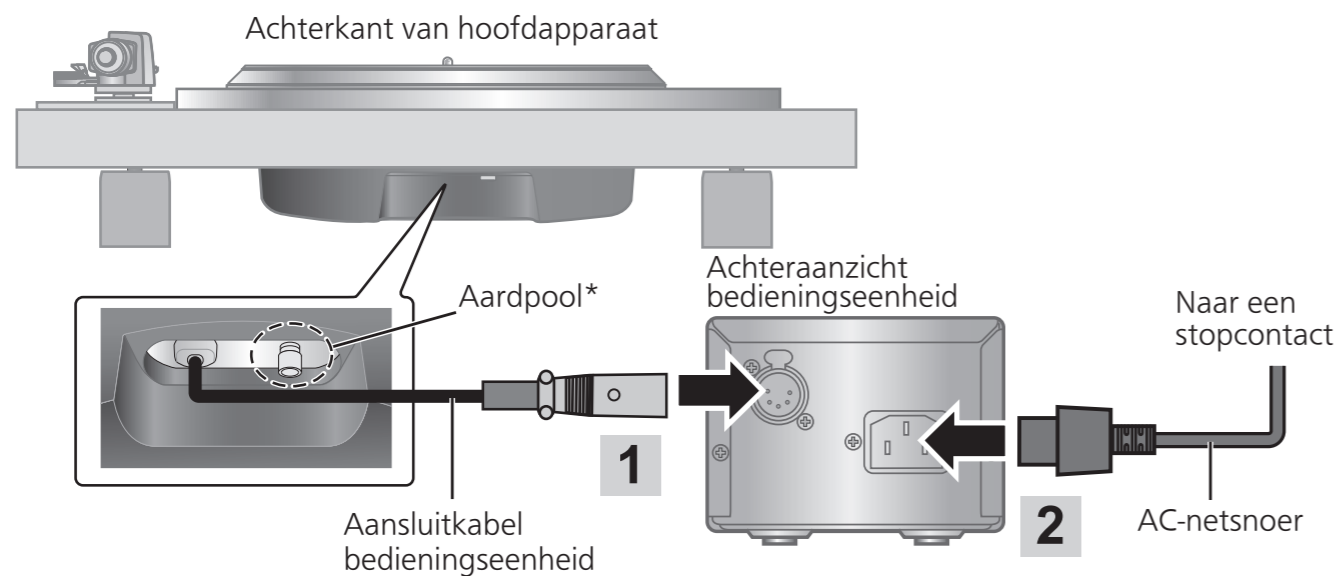
Collegamento dell'unità di comando / Collegamento della spina di alimentazione e della messa a terra

1 Sluit de verbindingkabel van de bedieningseenheid aan door deze op zijn plaats te klikken.

2 Sluit het AC-stroomsnoer aan.

3 Sluit de stekker en aarding aan.

- Controleer de wattage van de AC-netuitgang op de aangesloten apparatuur voordat u deze gebruikt voor dit apparaat. (Dit apparaat verbruikt 10 W.)



*Sluit de aardpool van de hoofdeenheid aan op de aardpool van de versterker met behulp van een in de handel verkrijgbare aardkabel indien dit nodig is.

Opmerking

- Zelfs in de stand „UIT” van de bedieningsschakelaar wordt het apparaat niet volledig afgesloten van de netvoeding. Trek de stekker uit het stopcontact als u het apparaat niet gebruikt gedurende een lange periode. Plaats het apparaat zodanig dat u de stekker gemakkelijk uit het stopcontact kunt halen.

Installeren

Opmerkingen voor installatie

- Installeer of verplaats de eenheid altijd met meer dan twee personen.
- Voordat u het apparaat verplaatst, verwijdert u alle aangesloten toestellen en schakelt u de stroomtoevoer uit. Als u de eenheid verplaatst terwijl de bedieningseenheid nog verbonden is, kan de bedieningseenheid vallen en letsel veroorzaken.
- Zorg dat het apparaat niet is blootgesteld aan direct zonlicht, stof, vochtigheid, en warmte van een verwarmingstoestel.
- Dit apparaat kan storing opvangen van een radio die dichtbij is geplaatst. Plaats het apparaat zo ver mogelijk van een radio vandaan.
- Plaats het apparaat niet op een warmtebron.
- Vermijd een plaats met grote temperatuurschommelingen.
- Vermijd een plaats met frequente condensatie.
- Neem contact op met een aannemer als anti-kantel maatregelen vereist zijn. De sterkte van de vloer en de muur dienen gecontroleerd te worden.
- Vermijd een onstabiele plaats.
- Zorg dat de installatielocatie stevig genoeg is om het gehele gewicht van de eenheid en het systeem te kunnen dragen.
- Plaats geen voorwerp op het apparaat.
- Installeer het apparaat niet in een besloten ruimte zoals een boekenrek.
- Plaats het apparaat op een ruime afstand van muren of andere toestellen om te zorgen voor een effectieve warmtestraling vanaf de binnenkant van het apparaat.
- Trek niet met geweld aan de eenheid na de installatie. Dit kan leiden tot schade aan de isolator of het vloeroppervlak.
- Het apparaat kan worden beschadigd door sigarettenrook of vocht uit een ultrasone luchtbevochtiger.

Condensatie

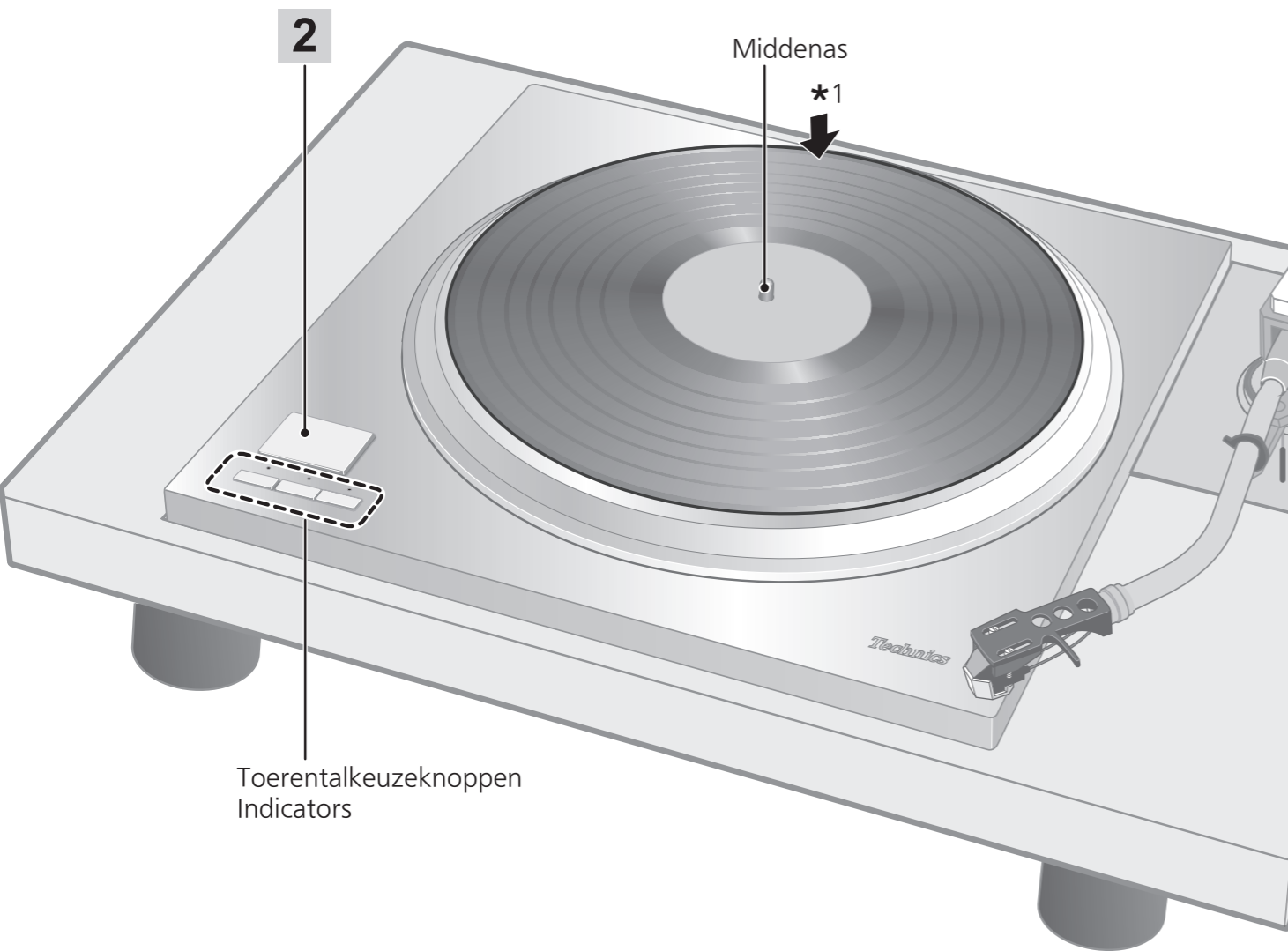
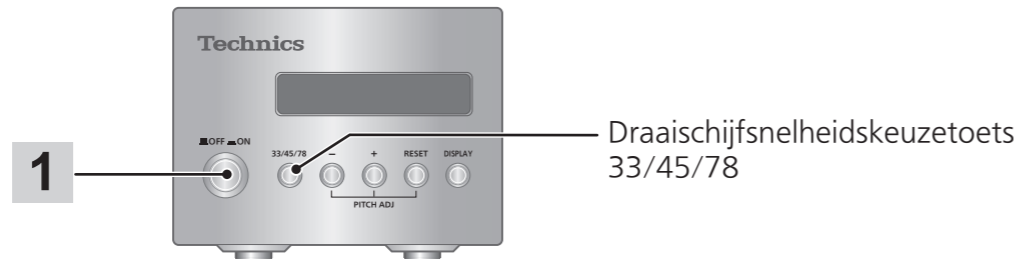
Denk aan een koude fles die u uit een koekast neemt. Als u deze een tijdje in een kamer laat staan, worden er dauwdruppels gevormd op het oppervlak van de fles. Dit fenomeen noemen we „condensatie”.

- Voorwaarden voor condensatie
 - ◇ Snelle temperatuurverandering (veroorzaakt door verplaatsing van een warme plek naar een koude plek of omgekeerd, snel koelen of verwarmen, of directe blootstelling aan gekoelde lucht)
 - ◇ Hoge luchtvochtigheid in een kamer met veel stoom, enz.
 - ◇ Regenseizoen
- Condensatie kan het apparaat beschadigen. Als condensatie is opgetreden, schakel het apparaat dan uit en laat het staan tot het aangepast is aan de omgevingstemperatuur (ongeveer 2 tot 3 uur).

Platen afspelen

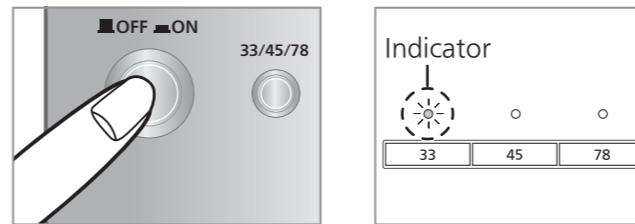
Vorbereiding

★1 Plaats een plaat (niet inbegrepen) op de draaischijf.



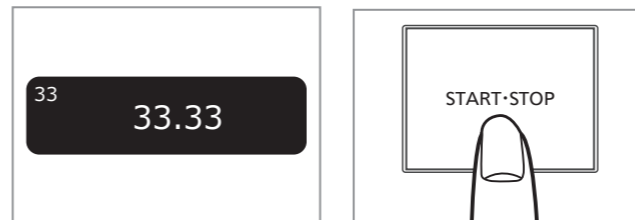
1 Druk op de aan/uit-knop van de bedieningseenheid aan om deze in te schakelen.

De snelheid wordt automatisch ingesteld op 33^{1/3} slagen, de [33]-indicator licht op op de hoofdeenheid en de draaischijfsnelheid van [33.33] verschijnt op het scherm van de bedieningseenheid.



2 Druk op [START-STOP].

De draaischijf begint te draaien.

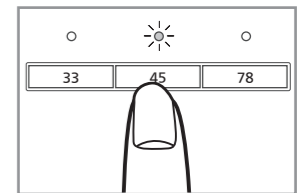


■ Nadat het afspelen is voltooid

- ① Breng de armliftheboom omhoog, plaats de toonarm weer op de armsteun en zet de armliftheboom omlaag.
- ② Druk op [START-STOP]. De draaischijf wordt door de elektronische rem zachtjes tot stilstand gebracht.
- ③ Druk op de aan/uit-knop van de bedieningseenheid aan om deze uit te schakelen.
- ④ Maak de toonarm vast met de armklem.
- ⑤ Breng de naaldbescherming weer aan (om de punt van de naald te beschermen).

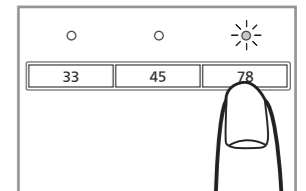
■ Om EP-platen af te spelen

- Druk op de toerentalkeuzeknop [45] ([45] gaat branden).
- Plaats de EP-plaatadapter op de middenas.



■ Om SP-platen af te spelen

- Druk tegelijk op de toerentalkeuzeknoppen [78] ([78] gaan branden).

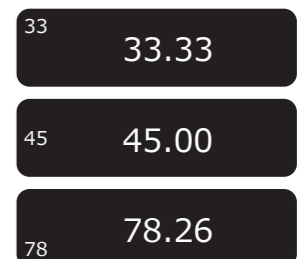


■ Bij gebruik van een plaatstabilisator (niet inbegrepen)

- Zie de instructiehandleiding van de plaatstabilisator.
- Maximumgewicht: 1 kg

Opmerking

- Door op [33/45/78] op de bedieningseenheid te drukken, kunt u ook de draaischijfsnelheid wijzigen. (⇒ 21)



Aandacht

Druk niet op [START-STOP] wanneer de draaischijf verwijderd is.

Snelheidsregeling (fijnafstelling van snelheid)

1 Druk op [-] of [+] op de bedieningseenheid om aanpassingen te maken.

- De toonhoogte kan worden ingesteld binnen ongeveer ±16% van de momenteel ingestelde draaitafelsnelheid [33/45/78].
- De huidige, ingestelde waarde verschijnt op het scherm van de bedieningseenheid. De weergave verschilt afhankelijk van de weergavemodus. (Schakelen tussen weergavemodus ⇔ 21)
- De snelheid van de draaischijf verandert elke keer dat de toonhoogte wordt ingesteld terwijl de draaischijf draait.

- Als u op de knop drukt, verhoogt of verlaagt de waarde.
- Houd de toets ingedrukt om de snelheid te verhogen of te verlagen.

■ Wanneer de weergavemodus „Instelling draaischijfsnelheid” is

De opgegeven draaischijfsnelheid



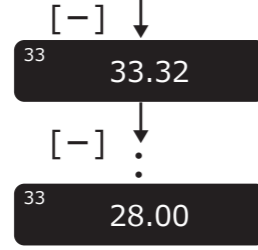
De aangepaste waarde (draaischijfsnelheid)



(Oorspronkelijke instelling)



- De waarde wordt met twee cijfers achter de komma weergegeven.
- De draaischijfsnelheid kan in stappen van ±0,01 slag worden aangepast.



■ Wanneer de weergavemodus „Instelling toonhoogte” is

De opgegeven draaischijfsnelheid



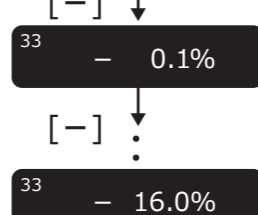
De aangepaste waarde (percentage)



(Oorspronkelijke instelling)



- De waarde wordt met één cijfers achter de komma weergegeven.
- De toonhoogte kan worden afgesteld in stappen van ±0,1%.



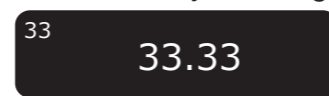
■ Om terug te keren naar de voorgeschreven draaischijfsnelheid

Druk op [RESET] op de bedieningseenheid. De waarde keert onmiddellijk terug naar de voorgeschreven draaischijfsnelheid. (33^{1/3}, 45 of 78,26 rpm)

*Het scherm van de bedieningseenheid geeft de voorgeschreven instelling weer.

De draaischijfsnelheid wordt de voorgeschreven draaischijfsnelheid in de instelmodus van de draaischijfsnelheid en 0,0% in de modus voor het instellen van de toonhoogte.

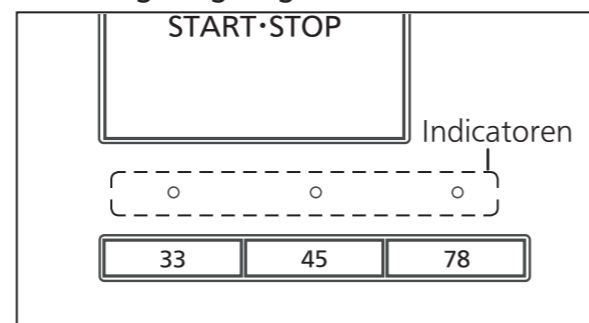
(Weergavemodus: Instelling draaischijfinstelling)



(Weergavemodus: Toonhoogte-instelling)



■ Indicatoren voor snelheidskeuzeknoppen van de hoofdeenheid tijdens toonhoogteregeling



- Blauwe LED aan: Zonder toonhoogteregeling (0,0%)
- Oranje LED aan: Tijdens toonhoogteregeling

Opmerking

- De toonhoogte kan voor elke draaischijfsnelheid worden ingesteld.
- Als u de aan/uit-knop uitschakelt, wordt de instelling voor de toonhoogteregeling geannuleerd. Als u de aan/uit-knop nogmaals inschakelt, wordt de waarde naar de fabrieksinstelling teruggezet.

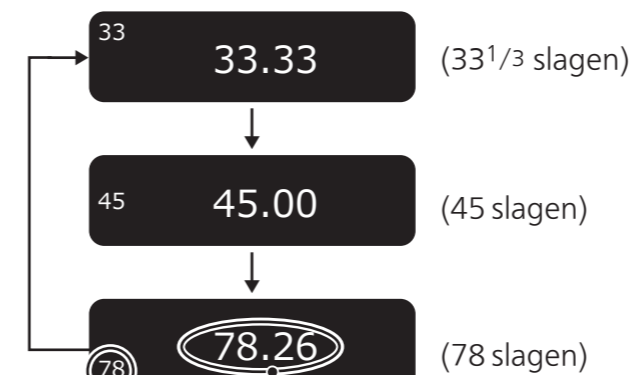
Bediening en weergave van de bedieningseenheid

Instelling draaischijfsnelheid

1 Druk op [33/45/78] op de bedieningseenheid.

Telkens wanneer [33/45/78] wordt ingedrukt, verandert de snelheid van de draaischijf in de volgorde „33” → „45” → „78” → „33” → ...

- De snelheid van de draaischijf verandert elke keer dat de toonhoogte wordt ingesteld terwijl de draaischijf draait.



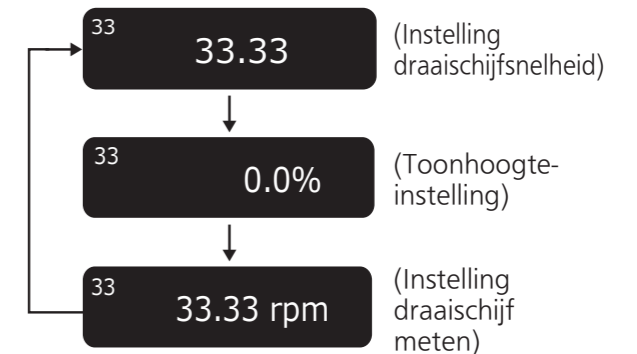
De opgegeven draaischijfsnelheid

De aangepaste waarde (draaischijfsnelheid)

De weergavemodus omschakelen

1 Druk op [DISPLAY] (weergave) op de bedieningseenheid.

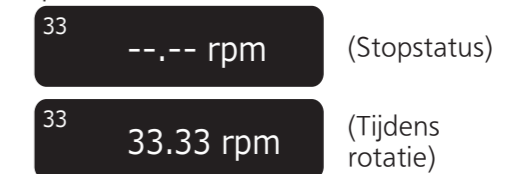
Telkens wanneer op [DISPLAY] wordt gedrukt, verandert de weergavemodus in de volgorde „instelling draaischijfsnelheid” → „Toonhoogte-instelling” → „Draaischijfsnelheid meten” → „Instelling draaischijfsnelheid” → ...



Instelling draaischijf meten

De werkelijke snelheid van de draaischijf kan worden gemeten in deze weergavemodus. Schakel de weergavemodus om (zie hierboven) om deze modus in te schakelen.

- „rpm” verschijnt na de numerieke waarde.
- „--- rpm” verschijnt wanneer de draaischijf is gestopt.



■ Bediening tijdens „Draaischijf snelheidsmeting”

Het bedienen van de toetsen zoals hieronder is weergegeven, wijzigt de weergavemodus naar „Instelling draaischijfsnelheid” waardoor u de instelling kan maken.

*De weergavemodus keert terug naar „Draaischijf snelheidsmeting” wanneer er geen bewerking wordt uitgevoerd binnen drie seconden in.

- [-]/[+]: De toonhoogte kan worden aangepast. (⇔ 20)
- [RESET]: De waarde keert onmiddellijk terug naar de voorgeschreven draaischijfsnelheid.
- [33/45/78]: De draaischijfsnelheid verandert telkens wanneer de toets wordt ingedrukt.

Opmerking

- Een gemiddelde waarde wordt weergegeven.

Schermdimmerinstelling

De schermdimmer zal worden geactiveerd als de bedieningseenheid gedurende 20 seconden niet bediend wordt. Er zijn vier dimpatronen.

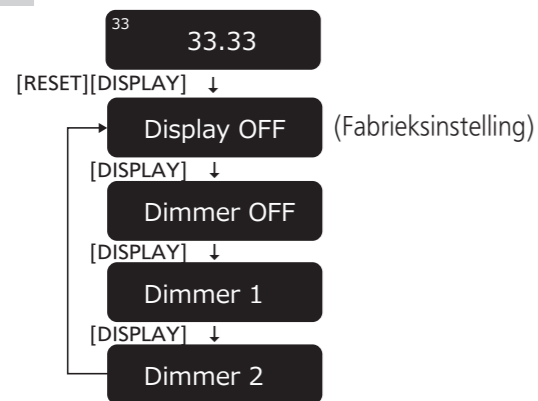
1 Houd [RESET] ingedrukt en druk op [DISPLAY] op de bedieningseenheid.

- De dimmerinstelling wordt weergegeven.

2 Druk op [DISPLAY] (weergave) op de bedieningseenheid.

De instelling verandert telkens als u op [DISPLAY] drukt.

- Het scherm keert terug naar het oorspronkelijke scherm wanneer er geen bewerking wordt uitgevoerd binnen drie seconden in.



Schermdimmer als er geen bewerking wordt uitgevoerd gedurende 20 seconden	Schermdimmer als er geen bewerking wordt uitgevoerd gedurende 20 seconden
Display OFF	De helderheid wordt met één niveau verlaagd. ⇒ (geen bewerking gedurende vijf seconden) ⇒ De helderheid wordt met twee niveaus verminderd. ⇒ (geen bediening gedurende nog eens vijf seconden) ⇒ Uit
Dimmer OFF	Niet dimmen (altijd aan)
Dimmer 1	De helderheid wordt met één niveau verlaagd.
Dimmer 2	De helderheid wordt met twee niveaus verlaagd.

- De helderheid wordt onmiddellijk na het instellen afgesteld op de ingestelde waarde. Het scherm wordt onmiddellijk uitgeschakeld als „Schermdimmer UIT” wordt geselecteerd.
- Als u een toets bedient (elke toets anders dan de aan/uit-knop) op de bedieningseenheid terwijl de dimmer actief is, keert het scherm terug naar de oorspronkelijke helderheid.

Opmerking

- De instelling wordt opgeslagen. Als de stroom wordt ingeschakeld, wordt in de instelling die actief was toen de stroom werd uitgeschakeld, hersteld.

De koppel aanpassen zodat de draaischijf met een constante snelheid draait

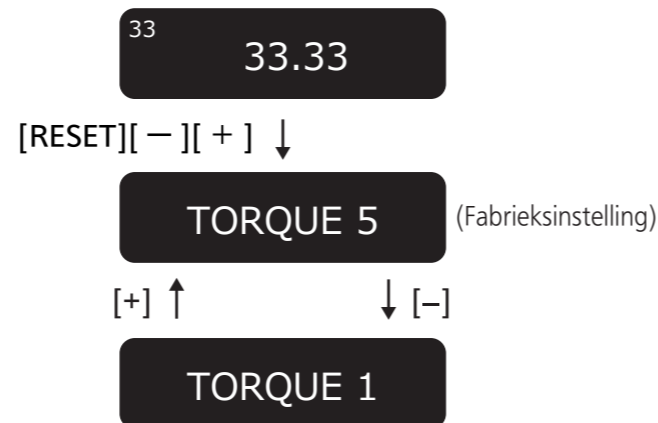
Druk op [START•STOP] en pas vervolgens het koppel (rotatiekracht) op vijf niveaus aan om de draaischijf met een constante snelheid te laten draaien.

1 Houd [RESET] ingedrukt en druk tegelijkertijd op [-] en [+] op de bedieningseenheid.

- De koppelinstanting wordt weergegeven.

2 Druk op [-] of [+] op de bedieningseenheid om aanpassingen te maken.

- Selecteer een van de vijf niveaus van „TORQUE1” tot „TORQUE5”. Als u op de knop drukt, verhoogt of verlaagt de waarde.
- Gebruik de onderstaande tabel als richtlijn.
- Het scherm keert terug naar het oorspronkelijke scherm wanneer er geen bewerking wordt uitgevoerd binnen drie seconden in.



Schermdimmer als er geen bewerking wordt uitgevoerd gedurende 20 seconden	Schermdimmer als er geen bewerking wordt uitgevoerd gedurende 20 seconden
TORQUE5	Maximum (Fabrieksinstelling)
TORQUE4	↑ ↓
TORQUE3	
TORQUE2	
TORQUE1	Minimum

Opmerking

- De instelling wordt opgeslagen. Als de stroom wordt ingeschakeld, wordt in de instelling die actief was toen de stroom werd uitgeschakeld, hersteld.

De hoofdeenheid reinigen

Veeg de hoofdeenheid en andere componenten af met een droge, zachte doek.

Verwijder hevig vuil met een goed uitgewrongen natte doek en veeg schoon met een zachte doek.

- Gebruik geen oplosmiddelen, zoals benzeen, thinner, alcohol, allesreiniger, doekjes met een chemisch preparaat e.d. Deze kunnen de behuizing vervormen of de afwerkingslaag doen loskomen.
- Veeg de stofkap niet schoon terwijl een plaat wordt afgespeeld. Dit kan statische elektriciteit veroorzaken. Door statische elektriciteit kan de toonarm naar de stofkap toe worden getrokken.

Vervoer van het apparaat

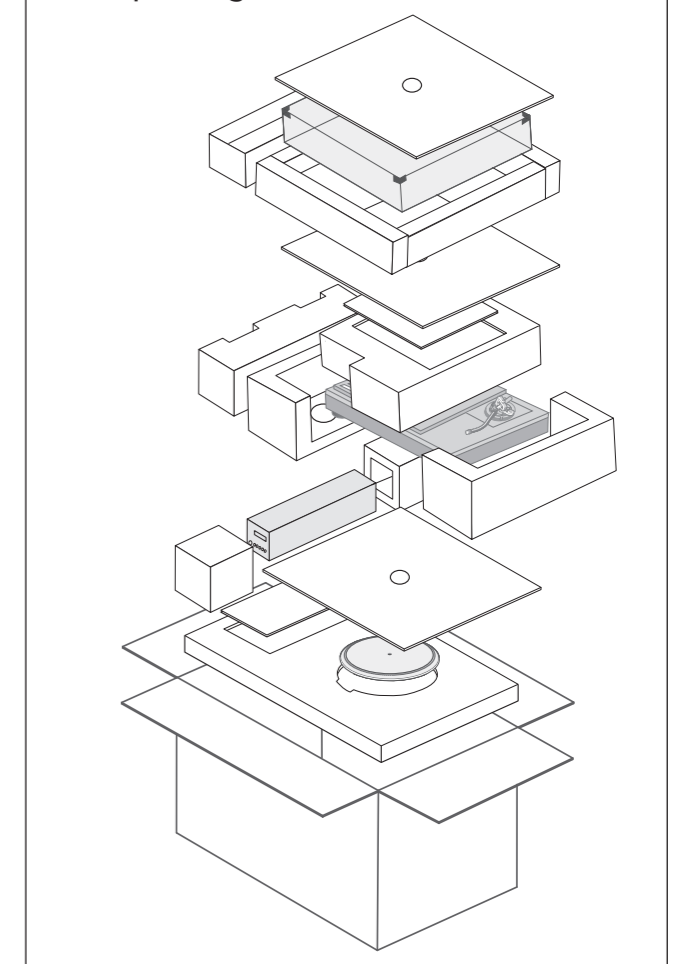
Gebruik het oorspronkelijke verpakkingsmateriaal om het apparaat weer in te pakken. (⇒ 12)

Bewaar het verpakkingsmateriaal nadat u de goederen verwijderd heeft.

Als u dit verpakkingsmateriaal niet meer hebt, doet u het volgende:

- Verwijder de draaischijf en draaischijfmat en pak deze zorgvuldig in.
- Wikkel het hoofdapparaat zorgvuldig in een deken of papier.

Herverpakking



WEEE-symbool

Verwijdering van het product buiten de EU-landen

- Dit symbool is alleen geldig in de EU. Neem contact op met een lokaal overheidskantoor of uw dealer om een juiste manier van verwijdering te bevestigen.

Gids voor het verhelpen van storingen

Voer de onderstaande controles uit voordat u contact opneemt voor onderhoud om storingen te verhelpen. Als u twijfelt over sommige controlepunten, of als de aangegeven oplossingen in het overzicht het probleem niet verhelpen, neem dan contact op met uw dealer.

Geen spanning.

- Is de stekker van het AC-netsnoer ingestoken?
→ Steek de stekker van het snoer goed in. (⇒ 16)
- Is de bedieningseenheid aangesloten op de hoofdeenheid?
→ Plaats de verbindingkabel van de bedieningseenheid tot u een klik hoort. (⇒ 16)

Er is geen indicatie op het scherm van de bedieningseenheid.

- Is de stekker aangesloten?
→ Plaats deze stevig. (⇒ 16)
- Staat de stroom aan?
→ Druk op de aan/uit-knop om de stroom in te schakelen. (⇒ 18)
- Is de schermdimmer geactiveerd?
→ Gebruik een knop (elke knop behalve de aan/uit-knop) op de bedieningseenheid. (⇒ 22)

■ Foutcode

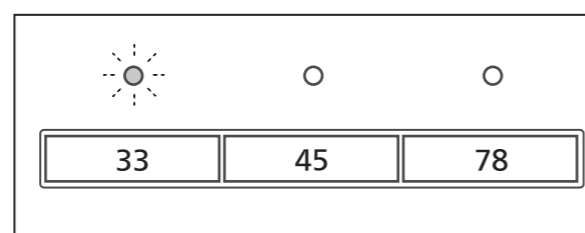
Optreden van een fout wordt op het scherm van de bedieningseenheid en met de snelheidskeuzeknopindicatoren van de hoofdeenheid gemeld.

Scherminhoud van de bedieningseenheid	Maatregel
Unconnected	Controleer of de bedieningseenheid aangesloten is op de hoofdeenheid. (⇒ 16)
F58 F76 F17	Neem contact op met uw dealer. <ul style="list-style-type: none"> • Een van de [33/45/78]-snelheidskeuzeknoppen van de hoofdeenheid knippert (snel of langzaam) oranje. • Geef het weergegeven nummer en de knipperende status van de LED's op het moment van overleg door.

(Voorbeeld van het scherm van de bedieningseenheid in geval van een fout)

Unconnected

(Voorbeeld van de snelheidskeuzetoetsindicatoren van de hoofdeenheid in het geval van een fout) Knippert oranje.



Technische gegevens

Algemeen	
Voeding	110 - 240 V AC, 50/60 Hz
Stroomverbruik	10 W (spanning AAN) 0,05 W (spanning UIT)
Afmetingen (B×H×D)	<Bedieningseenheid> 110×84×350 mm
	<Hoofdeenheid> 365×109×365 mm
Gewicht	<Bedieningseenheid> Ong. 2,1 kg
	<Hoofdeenheid> Ong. 18.2 kg
Gebruikstemperatuur	0 °C tot 40 °C
Bedrijfsvochtigheid	35 % tot 80 % RH (zonder condensatie)
Platenspelergedeelte	
Aandrijving	Directe aandrijving
Motor	Gelijkstroommotor zonder borstels
Draaischijf	Messing en aluminium gegoten gecombineerd Diameter: 323 mm Gewicht: Ong. 7,9 kg (inclusief het draaischijfvel)
Toerentallen draaischijf	33-1/3, 45 en 78* rpm
Snelheid met variabel bereik	±16 %
Aanloopkoppel	0,39 N•m (4,0 kg-cm)
Remsysteem	Elektronische rem
Wow en flutter	0,015 % W.R.M.S. (JIS C5521)
Aansluitpunt	
Uitgangsaansluiting	Aardpool

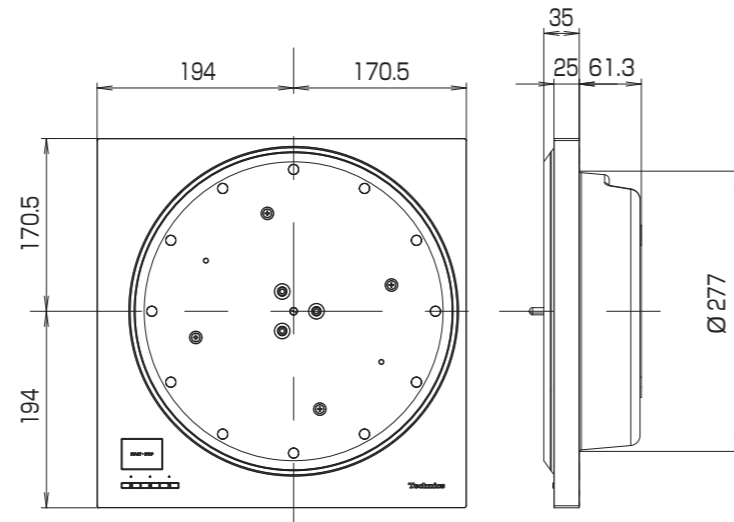
Specificaties onder voorbehoud van wijzigingen zonder voorafgaande kennisgeving.

*De draaischijfsnelheid is 78,26 rpm indien ingesteld op 78 rpm (toonhoogteregeling 0,0%).

Maattekeningen

■ Externe afmetingen

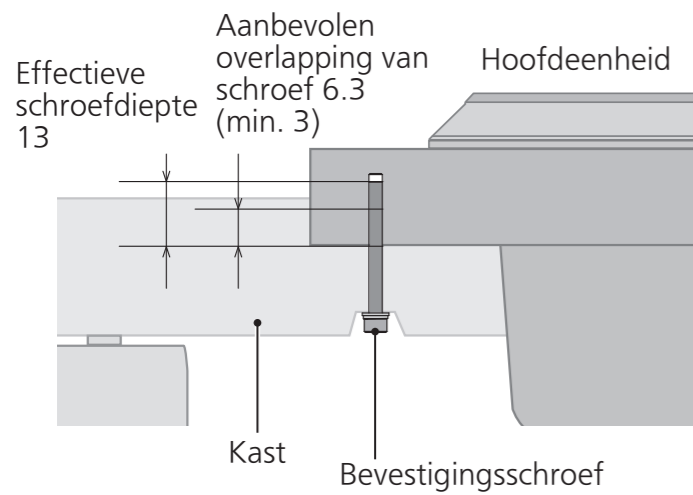
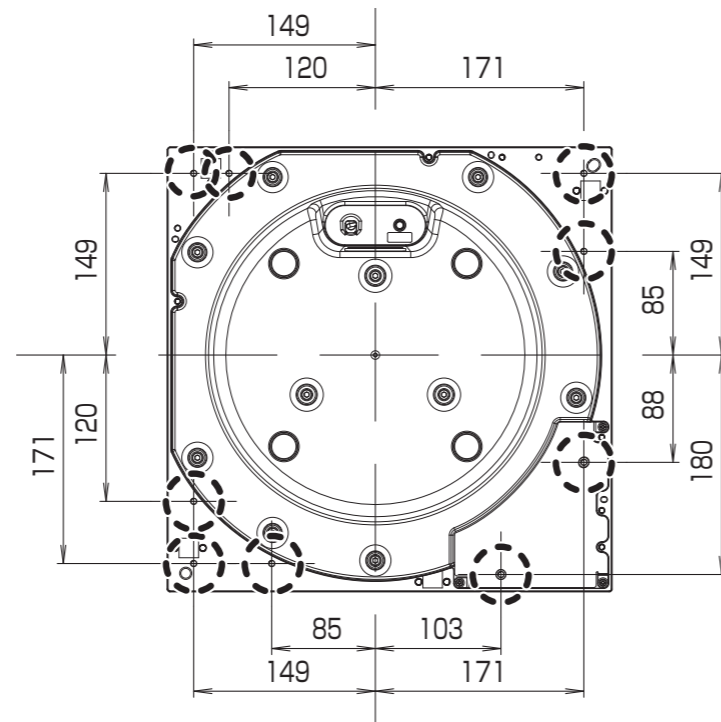
Selecteer een kast die past bij de externe afmetingen van de speler.
<Eenheid: mm>



■ Plaatsen van de schroeven voor het bevestigen van de kast

Bevestig de speler aan de kast op de negen posities (aangegeven met stippelijjn) zoals getoond in de rechterfiguur (de onderkant van de hoofdeenheid). <Eenheid: mm>

- Bevestigingsschroef: M5
Zie de doorsnede hieronder wanneer u de lengte van de bevestigingsschroeven kiest.



Introduktion

Tack för valet av denna apparat.

Läs dessa anvisningar instruktionerna noga innan du börjar använda produkten, och spara bruksanvisningen för framtida bruk.

- Angående bruksanvisningens beskrivningar
 - Sidhänvisningar anges som "(⇒ 00)".
 - Bilderna kan skilja sig från din enhet.

Egenskaper

Kärnfri direktdrivningsmotor för jämn och exakt rotation

- Den nya kärnfria direktdrivningsmotorn kan minska minsta vibration under rotationen genom att säkerställa starkt vridmoment för att driva grand class-skivspelaren.
- Motorns högteknologiska styrteknik ändrar körläget enligt motorns driftsstatus för att uppnå hög rotationsnoggrannhet.

Skivspelare med tre lager för stabil rotation

- Skivstrukturen i tre skikt består av mässing, aluminiumgjuten och dämpande gummi som är mot oönskade resonanser och fastsatt på bottenytan.
- Täta tungstensvikter ligger på den yttre periferin av mässings-delen för att leverera stor tröghetsmassa.

Särskild styrenhet som kan eliminera oönskade bullerstörningar på huvudenheten

- Strömkretsen och styrkretsen är åtskilda för att minimera oönskade externa bullerstörningar med huvudenheten och lagras i en enda styrenhet.
- Den nya omvandlande strömförsörjningen med en buller-reduceringskrets har utvecklats för att minska bullret i spänningsmatning.

Kompatibilitet med SP-10MK2 och SP-10MK3

- Spelaren bevarar den undre formen och skruvplatserna i SP-10MK2 och SP-10MK3 så att du kan fortsätta använda ditt skåp och din tonarm.

Innehållsförteckning

● Före användning

Säkerhetsåtgärder.....	06	Före användning
Tillbehör.....	09	
Delarnas namn.....	10	

● Komma igång

Uppackning och förberedelse.....	12	Komma igång
• Anmärkningar för att ta ut varorna från förpackningslådan och transportera.....	12	
Att sätta ihop skivspelaren.....	13	
• Innan du sätter samman spelaren (Gällande skåpet och tonarmen).....	13	
• Montering till skåpet.....	13	
• Montering av skivtallriken.....	15	
• Montering av skivtallriksmattan.....	15	
Anslutningar och installering.....	16	
• Anslutning av styrenheten / Anslutning av nätkontakt och jordkontakt.....	16	
• Installering.....	18	

● Uppspelning

Skivspelning.....	18	Uppspelning
Varvtalskontroll (finjustering av varvtalet).....	20	
Drift och visning av styrenheten.....	21	
• Skivspelarens hastighetsinställning.....	21	
• Byter visningsläge.....	21	
• Mätning av skivspelarens hastighet.....	21	
• Visningsdimmer inställning.....	22	
• Justera vridmomentet för att rotera skivspelaren med konstant hastighet.....	22	

● Underhåll

Underhåll.....	23	Underhåll
Felsökningsguide.....	24	
Tekniska data.....	25	
Dimensionella ritningar.....	26	

Säkerhetsåtgärder

VARNING

Enhet

- För att minska risken för brand, elstöt eller produktskada,
 - Utsätt inte enheten för regn, fukt, droppar eller stänk.
 - Placera inte några föremål med vätska, till exempel vaser, på enheten.
 - Använd endast rekommenderade tillbehör.
 - Avlägsna inte skyddslock.
 - Försök inte reparera själv. Kontakta kvalificerade fackmän för service.
 - Låt inte metallföremål falla inuti enheten.
 - Placera inga tunga föremål ovanpå.

Nätsladd

- För att minska risken för brand, elstöt eller produktskada,
 - Kontrollera att spänningen motsvarar den som står tryckt på apparaten.
 - Sätt i elkontakten helt i elnätet.
 - Dra eller böj inte och placera inga tunga föremål på sladden.
 - Hantera inte kontakten med fuktiga händer.
 - Håll i själva kontakten när du ska lossa den ur elnätet.
 - Använd inte stickkontakter eller eluttag som är skadade.
- Strömkontakten är bortkopplingsanordning. Installera enheten så att strömkontakten genast kan kopplas bort från vägguttaget.
- Se till att stickkontaktens jordstift ansluts ordentligt för att undvika elektrisk stöt.
 - En apparat med KLASS I-konstruktion måste anslutas till ett jordat nätuttag.

FÖRSIKTIGHET

Enhet

- Ställ inga föremål med öppen låga, så som ett tänd stearinljus, ovanpå enheten.
- Den här enheten kan ta emot radiostörningar orsakade av mobiltelefoner under användning. Om sådana störningar uppstår, öka avståndet mellan enheten och mobiltelefonen.
- Denna enhet är avsedd för användning på platser med tropiskt klimat.
- Placera inte några föremål på enheten. Enheten blir varm när den är på.
- Var alltid två eller flera personer då ni tar ut och transporterar huvudenheten.
- Var försiktig så att du inte fastnar med händer och/eller fingrar i skivspelarenheten när du sätter samman spelaren.

Placering

- Placera den här enheten på en jämn yta.
- För att minska risken för brand, elstöt eller produktskada,
 - Installera eller placera den inte i en bokhylla, inbyggt skåp eller annat begränsat utrymme. Se till att luftcirkulationen är tillräcklig kring enheten.
 - Se till att enhetens ventilationsöppningar inte är förtäppta av tidningar, bordsdukar, gardiner eller liknande föremål.
 - Utsätt inte enheten för direkt solljus, hög temperatur eller fuktighet och alltför mycket vibrationer.
- Se till att platsen för placeringen är tillräckligt stark för att hålla för enhetens vikt (⇒ 31).
- Lyft eller bär inte den här enheten genom att hålla i någon av rattarna. Om du gör det kan den här enheten falla ned vilket kan leda till personskadoreller funktionsfel på enheten.



Avfallshantering av produkter

Endast för Europeiska Unionen och länder med återvinningssystem

Denna symbol på produkter, förpackningar och/eller medföljande dokument betyder att förbrukade elektriska och elektroniska produkter inte får blandas med vanliga hushållssopor.

För att gamla produkter ska hanteras och återvinnas på rätt sätt ska dom lämnas till passande uppsamlingsställe i enlighet med nationella bestämmelser.

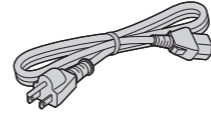
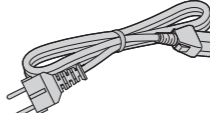
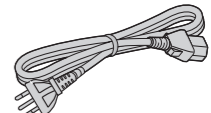
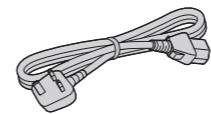
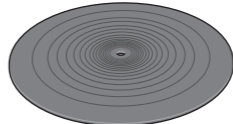

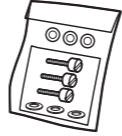
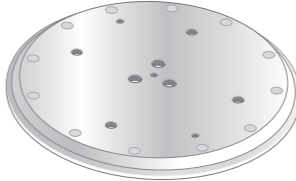

Genom att ta göra det korrekt hjälper du till att spara värdefulla resurser och förhindrar eventuella negativa effekter på människors hälsa och på miljön.

För mer information om insamling och återvinning kontakta din kommun.

Olämplig avfallshantering kan beläggas med böter i enlighet med nationella bestämmelser.

Tillbehör

För att förebygga skador under transporten är en del av utrustningen isärtagen. Kontrollera och identifiera de medföljande tillbehören.

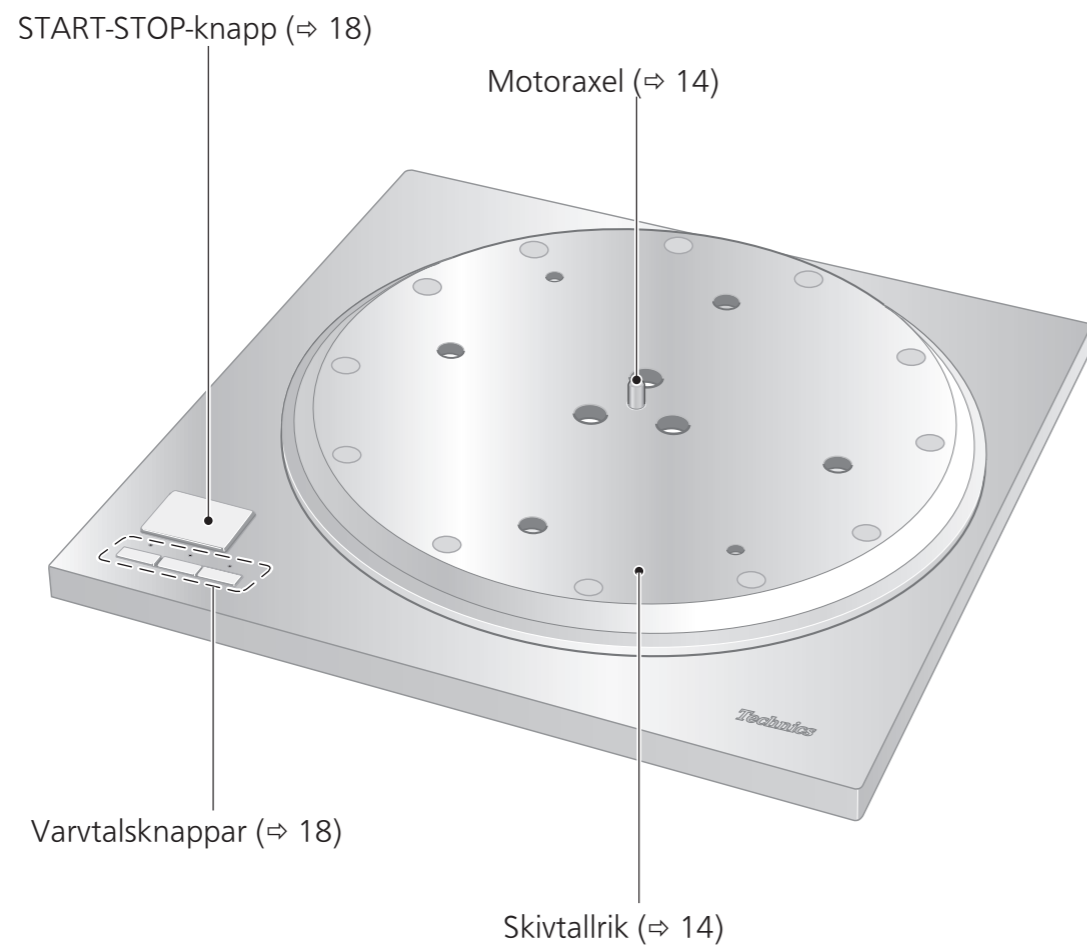
<p>Nätsladd (1 st.) (K2CG3YY00191)</p> 	<p>Nätsladd (1 st.) (K2CM3YY00041)</p> 	<p>Nätsladd (1 st.) (K2CS3YY00033)</p> 
<p>Nätsladd (1 st.) (K2CT3YY00081)</p> 	<p>Skivtallriksmatta (1 st.) (RGS0008)</p> 	<p>Adapter för EP-skivor (1 st.) (TEKX077)</p> 
<p>Skruvsats för skivtallrik (1 set) (TYL0194)</p> <ul style="list-style-type: none"> ● Skruvar, långa (3 st.) ● Brickor (3 st.) ● Bellevillefjädrar (3 st.) 	<p>Skivtallrik (1 st.) (TYL0195)</p> 	<p>Avtagbart handtag (2 st.) (TXQ0020)</p> 

- Tillbehörens modellnummer är per februari 2018. De kan ändras utan föregående meddelande.
- Behåll förpackningsmaterial efter att du har tagit ut varorna. Du kommer att behöva dem när du transporterar produkten över längre sträckor.
- Följ lokala föreskrifter när du kasserar produkten.
- Använd inte någon annan nätsladd än den som medföljer.
- Håll extra motvikt, skruvarna och brickorna utom räckhåll för barn för att undvika sväljning.

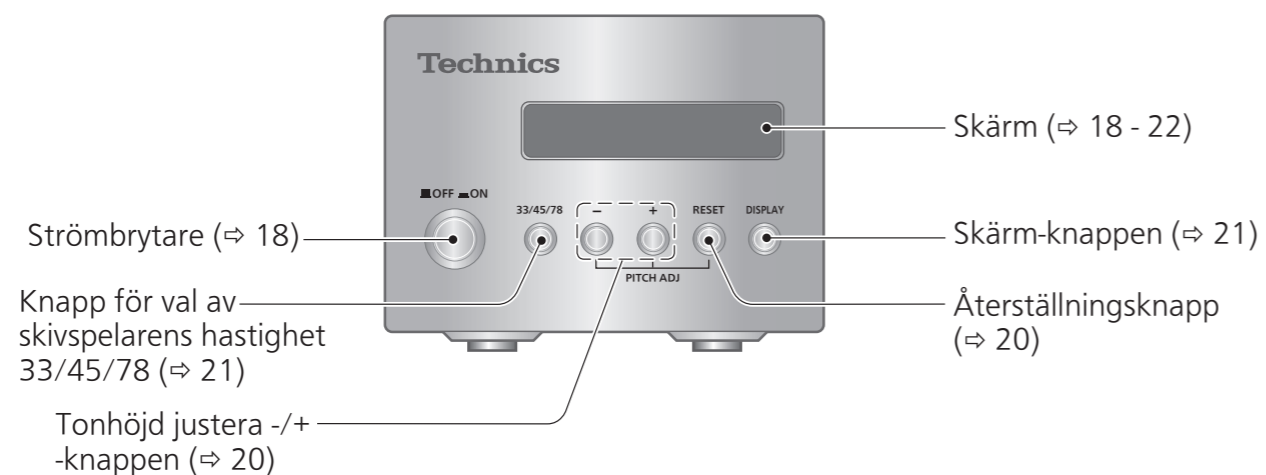
Delarnas namn

Siffror som (⇒ 00) är sidhänvisningar.

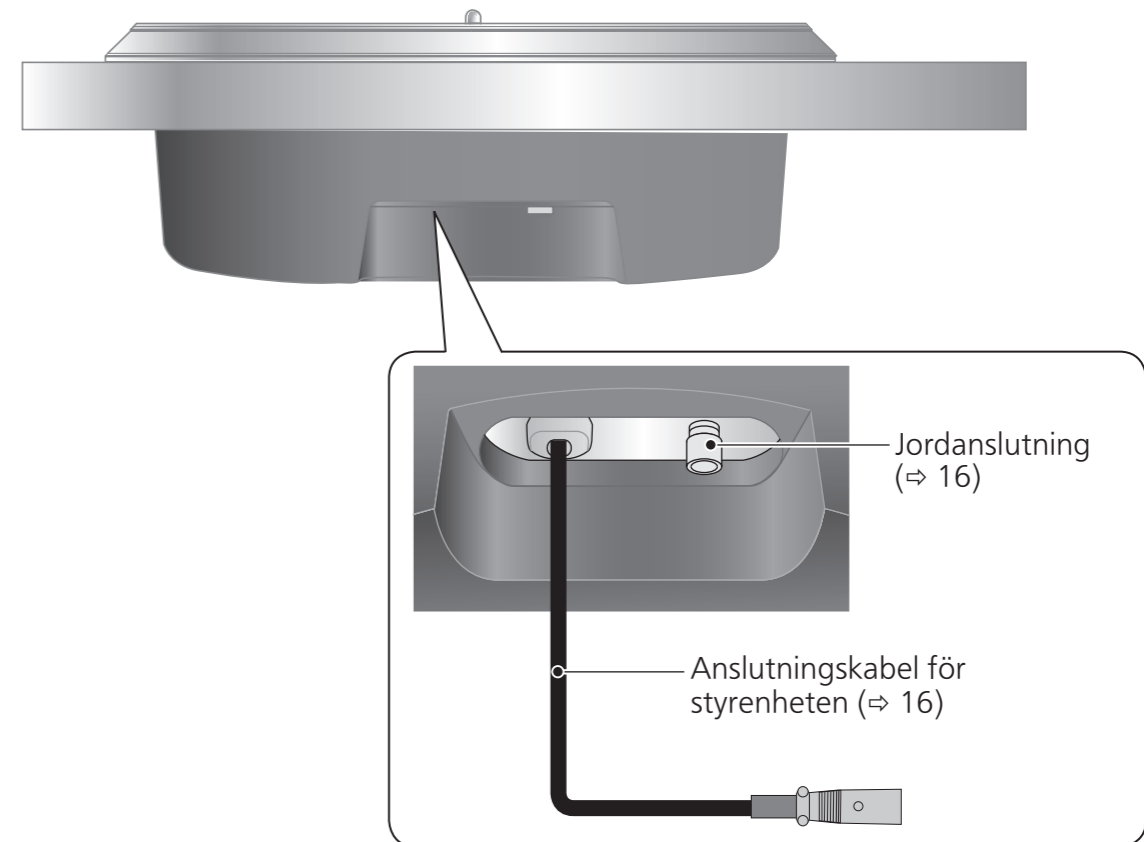
Huvudenhet (Framsida)



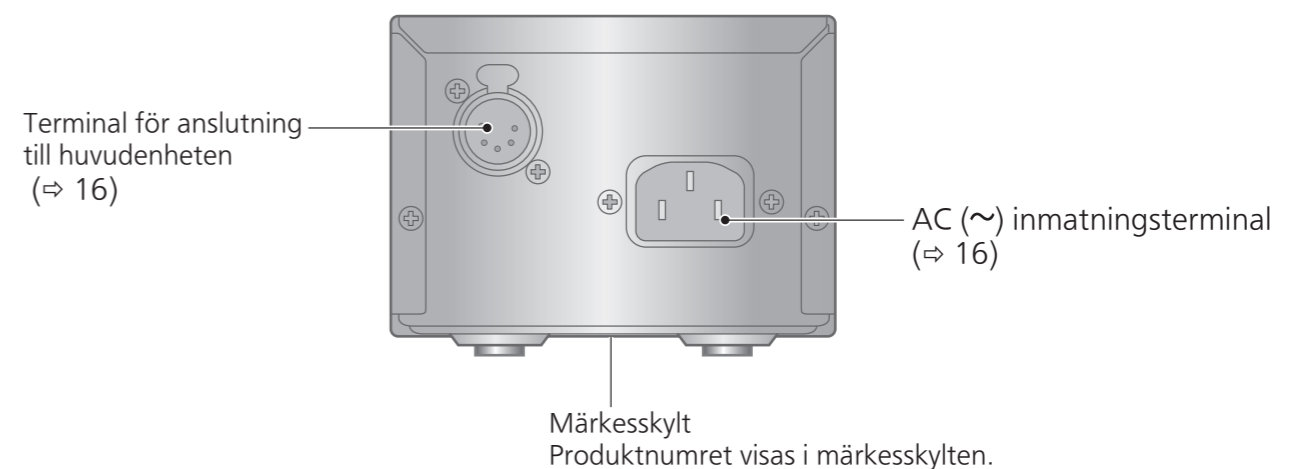
Styrenhet (Framsida)



Huvudenhet (Baksida)



Styrenhet (Baksida)

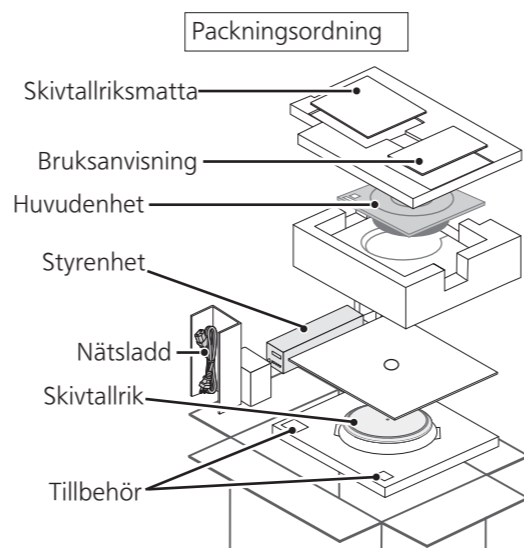


Uppackning och förberedelse

Anmärkningar för att ta ut varorna från förpackningslådan och transportera

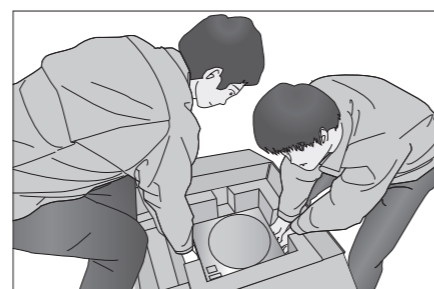
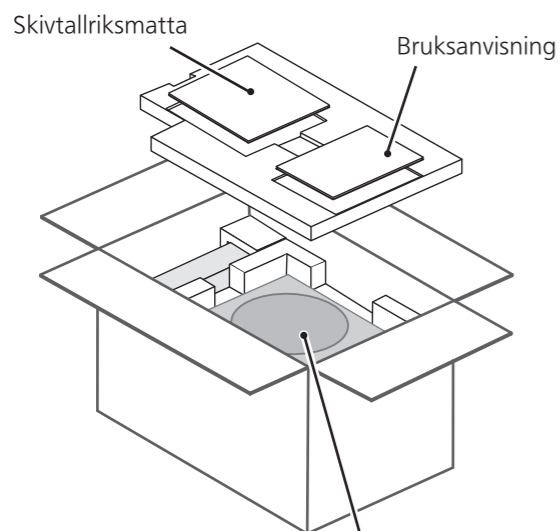
Observera

- Var alltid två eller flera personer då ni tar ut och transporterar huvudenheten.
- Var försiktig så du inte förlorar balansen om du lyfter enheten med dina händer i en icke-optimal position.
 - Du kan skada din rygg.
 - Du kan förlora balansen i trappor och liknande, vilket kan leda till skada.
- Var försiktig så att du inte klämmer fingrarna när du tar ut huvudenheten.
- Var försiktig så att du inte klämmer fingrarna i glipan mellan huvudenhetens botten och golvet.
- Behåll förpackningsmaterialet efter att du har tagit ut varorna.
- Ta ut varorna efter att ha bestämt platsen för installation.
- För anvisningar gällande installation, se "Installation" (⇒17).



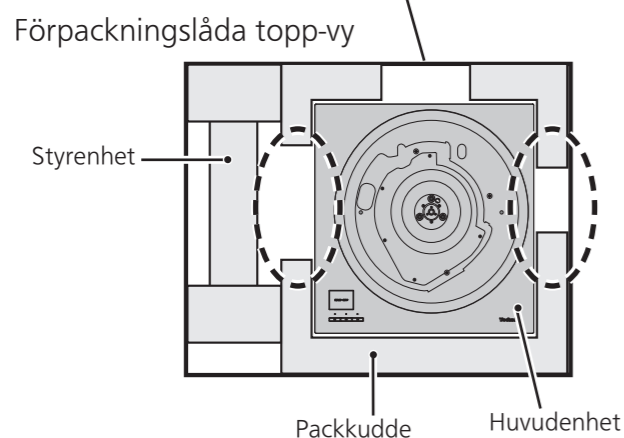
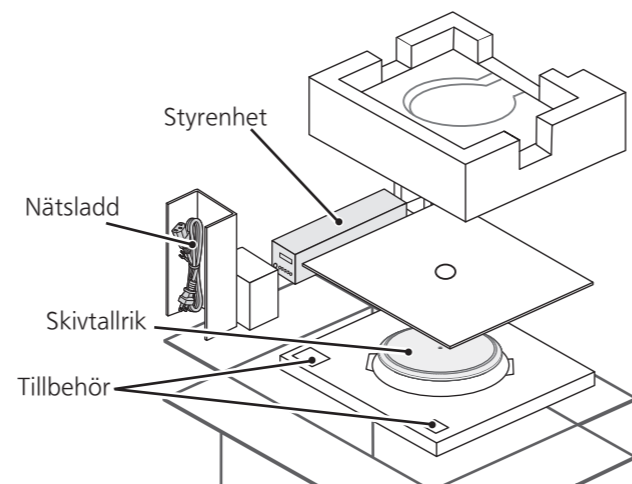
- ① Ta fram skivspelarens platta och bruksanvisningen.
- Förvara tillbehören utom räckhåll för barn.
 - Huvudenheten och styrenheten är förpackade i skyddande ark.

- ② Placera händerna mellan packkuddarna (prickad linje i förpackningens topp-vy) och lyft upp huvudenheten långsamt för att ta ut den. Utför alltid denna uppgift med två eller flera personer.
- Var försiktig när du lyfter upp huvudenheten.
 - Håll huvudenheten underifrån för att förhindra att den glider ur dina händer.
 - Utför uppgiften med båda händerna för att inte tappa balansen.



Lyft upp uppgiftsbilden

- ③ Ta ut styrenheten, nätverkskabeln, skivspelaren och andra tillbehör.



Att sätta ihop skivspelaren

Innan du sätter samman spelaren (Gällande skåpet och tonarmen)

När det gäller skåpet

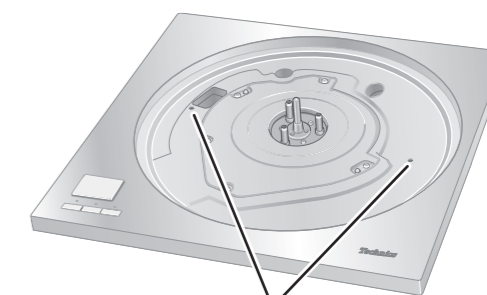
- Den här spelaren bevarar bottenformen och skruvplatserna av SP-10MK2 och SP-10MK3 så att du kan fortsätta använda ditt skåp och din tonarm för ett system som använder SP-10MK2 eller SP-10MK3.
- Denna spelare är en modell med ett stort startande vridmoment. För att få full nytta av dess egenskaper och prestanda, använd ett tungt skåp av tjockt material.
- När du väljer ett skåp bestämmer du dess yttre dimensioner baserat på den effektiva längden på din tonarm.
- Använd fasta och starka isolatorer för att stödja skåpet.
- Spelarens monteringsdimensioner (⇒26)

När det gäller montering av tonarmen

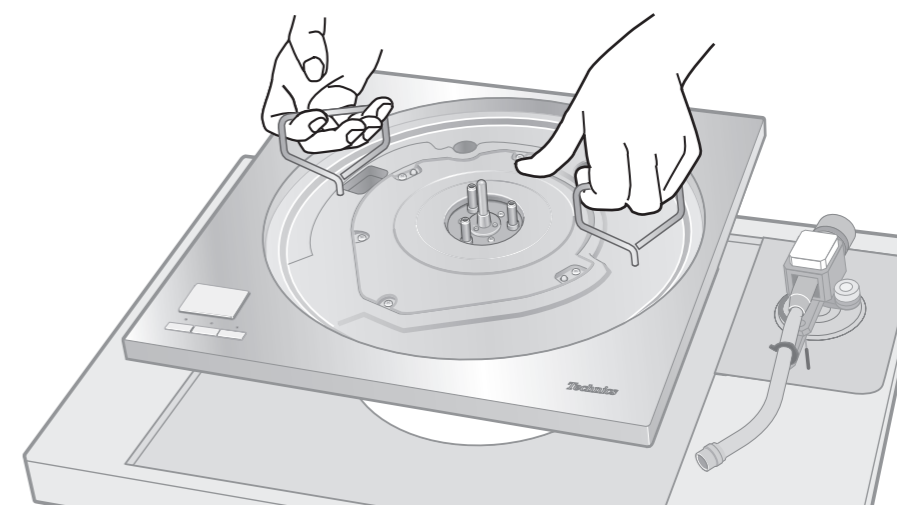
- Använd tonarm-basen såld separat. För detaljer som monteringsmetod, följ instruktionsanvisningarna för tonarmens bas och tonarmens broschyr.

Montering till skåpet

- 1** Dra åt de avtagbara skruvarna för handtag i monteringshålen (två platser) för det avtagbara handtaget på skivspelarenheten.
- 2** Lyft upp huvudenheten långsamt och placera den på skåpet.
- 3** Fixera huvudenheten till skåpet med skruvar.
 - Montera genom att följa skåpets bruksanvisningar.



Monteringshål för avtagbart handtag

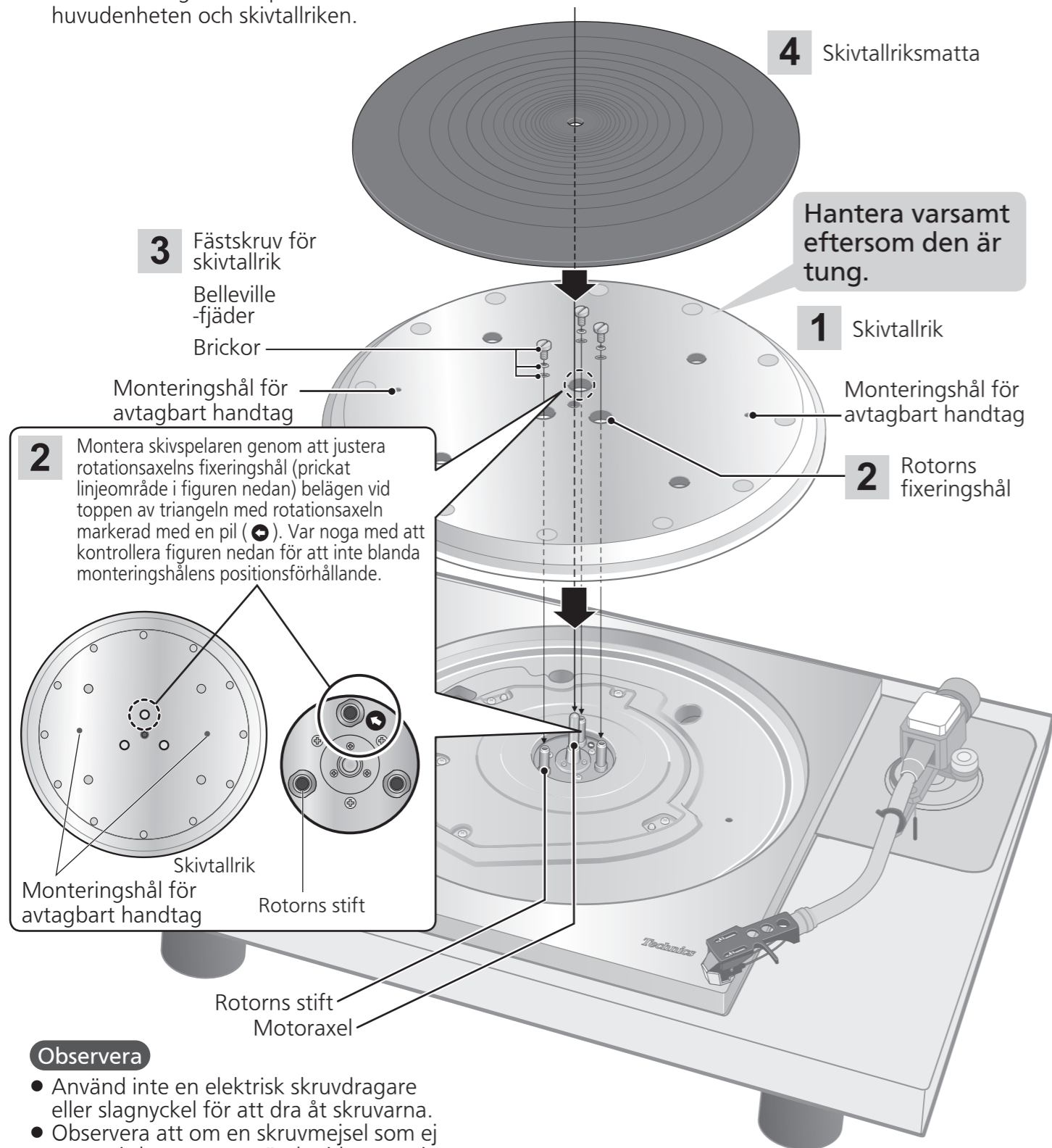


Att sätta ihop skivspelaren (fortsättning)

För att förebygga skador under transporten är en del av utrustningen isärtagen. Sätt ihop skivspelaren i följande ordning.

Observera

- Anslut inte nätsladden förrän installationen är klar.
- Vid montering av skivspelaren ska du förhindra främmande material från att komma in mellan huvudenheten och skivtallriken.

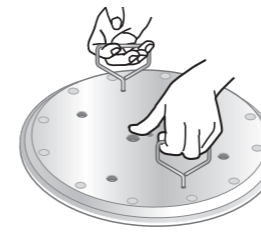


Observera

- Använd inte en elektrisk skruvdragare eller slagnyckel för att dra åt skruvarna.
- Observera att om en skruvmejsel som ej passar i skruvarna används vid montering av skivtallriken kan huvudenheten skadas.

Montering av skivtallriken

1



Dra åt de avtagbara skruvarna för handtag i monteringshålen (två platser) på skivspelaren. Lyft upp skivspelaren

långsamt och sänk den så att du sätter in mitt-spindeln i hålet i skivspelarenhetens mitt.

Observera

- Dra åt det avtagbara handtaget genom att vrida det 5 eller fler gånger. Om du har dragit det så långt det går, lossa det något. Dra inte åt det ordentligt.
- Var försiktig när du hanterar skivtallriken, eftersom den är tung.
- Torka bort fingeravtryck och smuts med en mjuk trasa.

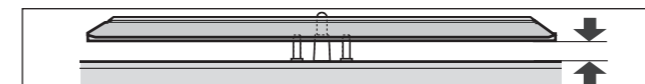
2

Sänk långsamt ned skivtallriken medan du passar samman fixeringshålen (tre platser) med rotorns stift.

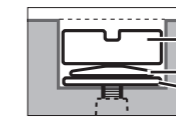
- Montera med hjälp av rotationsaxeln med pilmarkeringen som en guide. (⇒ 14)

Observera

- Om rotorns stift inte är korrekt inpassade blir det ett mellanrum mellan skivtallriken och huvudenheten, vilket förhindrar korrekt montering av skivtallriken. Tvinga inte skivtallriken nedåt.



3 Fäst brickorna, belleville-fjädrarna och skruvarna för skivtallriken till rotorns fixeringshål och dra åt skruvarna ordentligt.



Fästskruv för skivtallrik
Belleville-fjäder
Brickor

Observera

- Undvik vid åtdragning av skruvar att skruvskallarna sticker ut från skivtallrikens yta.
- Dra åt de tre skruvarna jämnt. Att misslyckas med att göra det kan göra skivspelaren skallar eller roterar instabilt. Se till att ingen av skruvarna är lösa.

■ Demontering av skivtallriken

- ① Lossa skivtallrikens fästskruvar och ta bort dem.
-Förvara skruvarna, belleville-fjädrarna och brickorna noga.
- ② Dra åt de löstagbara skruvarna för handtaget i monteringshålen för det avtagbara handtaget (två platser) på skivspelarenheten och lyft sakta skivspelarenheten rakt upp.

Montering av skivtallriksmattan

4 Lägg skivtallriksmattan på skivtallriken.

Anslutningar och installering

- Stäng av alla enheter och koppla loss nätsladden från nätuttaget innan du utför några anslutningar.
- Anslut nätsladden endast efter att alla andra anslutningar är färdiga.
- Se även bruksanvisningen för den anslutna enheten.

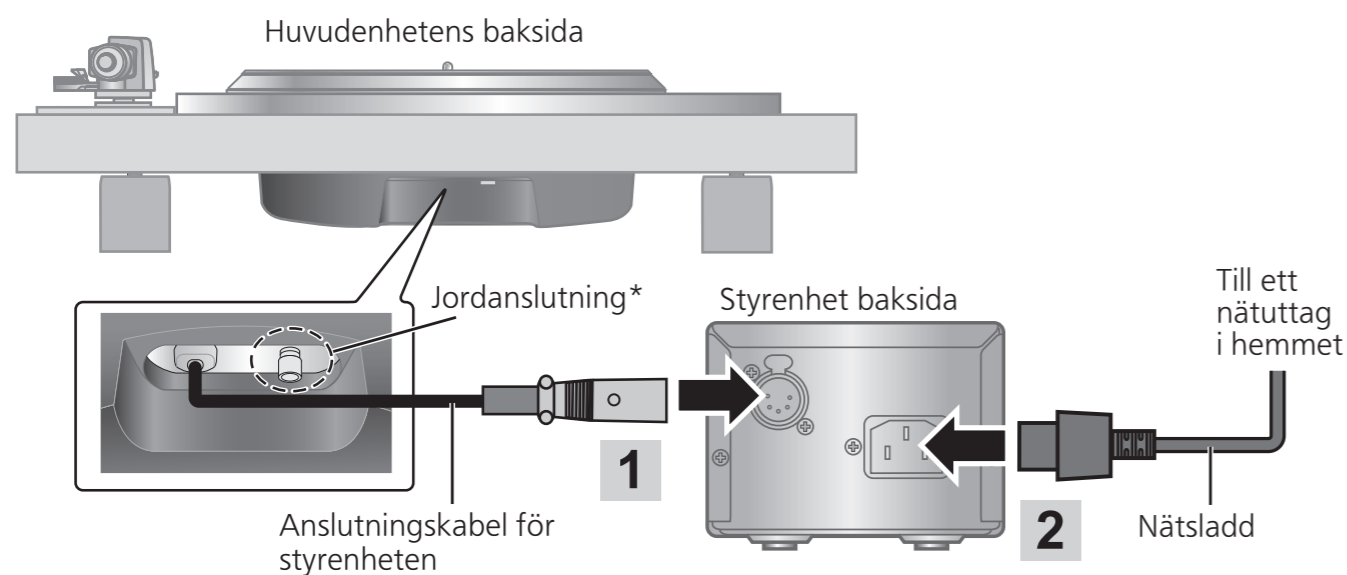
Anslutning av styrenheten / Anslutning av nätkontakt och jordkontakt

1 Anslut anslutningskabel för styrenheten genom att trycka in den tills den klickar på plats.

2 Anslut nätverkssladden.

3 Anslut nätkontakten och jordkontakten.

- Bekräfta nätutgångens wattförsörjning på den anslutna utrustningen innan du ansluter den här enheten till utrustningens nätutgång. (Denna enhets wattförbrukning är 10 W.)



*Anslut huvudenhetens jordanslutning till den på förstärkaren vid behov med hjälp av en jordledning som finns tillgänglig på marknaden.

Observera

- Strömbrytaren separerar inte hela enheten från elnätet, även om den är i "OFF"-läge. Dra ut stickkontakten från eluttaget om du inte ska använda apparaten under en längre tid. Placera enheten så att stickkontakten lätt kan dras ut.

Installering

■ Installeringsanvisningar

- Använd alltid två eller fler personer för att montera, installera eller flytta skivspelarenheten.
- Innan du flyttar enheten, koppla loss alla anslutna enheter och stäng av strömmen. Att flytta enheten med styrenheten ansluten kan göra att den faller av och orsakar skada.
- Se till att enheten inte utsätts för direkt solljus, damm, fuktighet eller värme från någon uppvärmningsanordning.
- Det kan hända att enheten plockar upp interferens från en radio om det finns någon i närheten. Håll enheten på så stort avstånd som möjligt från radioapparater.
- Installera inte enheten på en värmekälla.
- Undvik platser med stora temperaturvariationer.
- Undvik platser med ofta förekommande kondens.
- Om det behövs anti-fall-åtgärder, kontakta en entreprenör. Golv- och väggstyrkan måste kontrolleras.
- Undvik instabila platser.
- Kontrollera att installationsplatsen är tillräckligt starkt för att motstå den sammanlagda vikten av enheten och systemet.
- Placera inte några föremål på enheten.
- Installera inte enheten i ett trångt utrymme såsom en bokhylla.
- Installera enheten på en plats på tillräckligt avstånd från väggar och andra saker för att säkerställa effektiv värmeavledning från enheten.
- Dra inte enheten med våld efter installationen. Om du gör det kan det skada isolatorn eller golvytan.
- Observera att enheten kan skadas av cigarettök eller fukt från en ultraljudsluftfuktare.

■ Kondensation

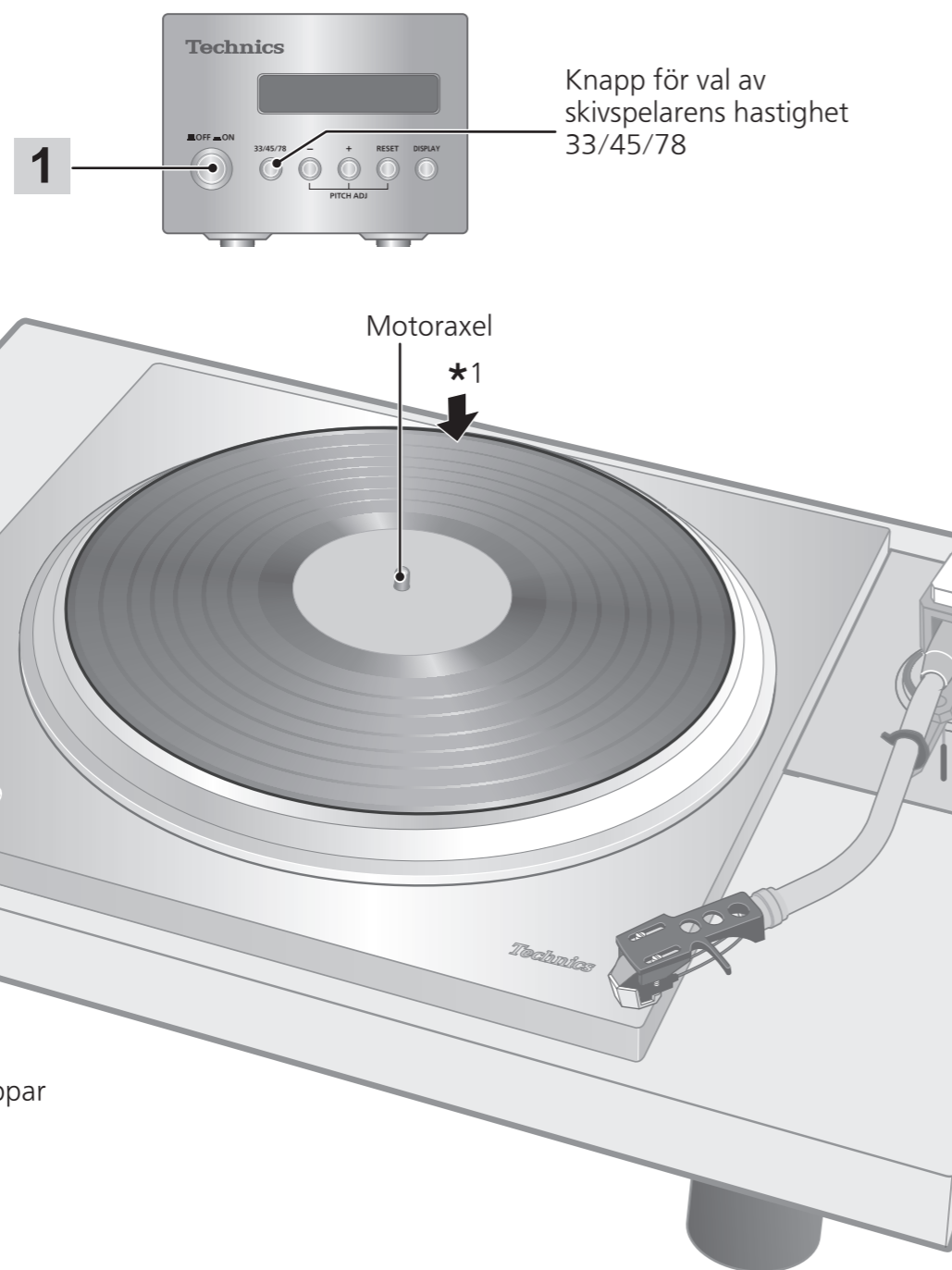
Tänk på vad som händer när man tar ut en kall flaska från ett kylskåp. Om du lämnar den i ett rum en stund bildas det kondensdroppar på flaskytan. Detta fenomen kallas "kondensation".

- Förhållanden som orsakar kondensation
 - ◇ Snabba temperaturförändringar (orsakade av flyttning från en varm plats till en kall plats eller vice versa, snabb nedkyllning eller uppvärmning eller direkt exponering för nedkyld luft)
 - ◇ Hög luftfuktighet i ett rum med mycket ånga etc.
 - ◇ Regnperiod
- Kondensation kan skada enheten. Om kondensation har inträffat, stäng av enheten och låt den stå tills den anpassar sig till omgivningens temperatur (ca 2 till 3 timmar).

Skivspelning

Förberedelse

*1 Lagg en skiva (medföljer ej) på skivtallriken.

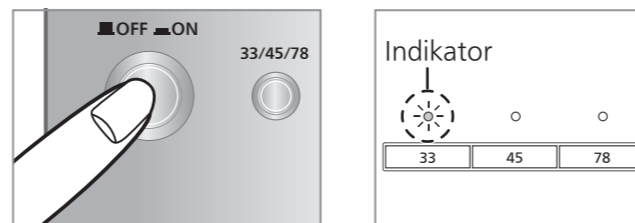


Observera

Tryck inte på [START-STOP] när skivtallriken har tagits bort.

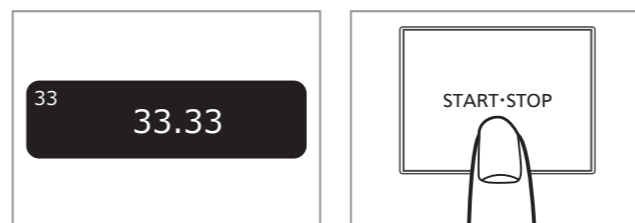
1 Tryck på styrenhetens strömbrytare för att sätta på den.

Hastigheten ställs automatiskt in på 33^{1/3} varv, indikatorlamporna [33] på huvudenheten och skärmens hastighet på [33.33] visas på styrenhetens display.



2 Tryck på [START-STOP].

Skivtallriken börjar snurra.

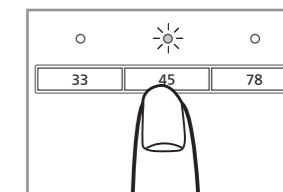


■ När avspelnningen är slut

- Lyft tonarmsspaken, för tillbaka tonarmen till tonarmsstödet och sänk tonarmsspaken.
- Tryck på [START-STOP]. Den elektroniska bromsen stannar försiktigt skivtallriken.
- Tryck på styrenhetens strömbrytare för att stänga av den.
- Kläm fast tonarmen med tonarmsklämman.
- Sätt tillbaka nålskyddet (för att skydda nålspetsen).

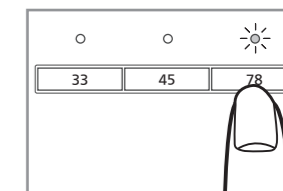
■ När du spelar EP-skivor

- Tryck på varvtalsknappen [45] ([45] tänds).
- Placera adaptorn för EP-skivor över motoraxeln.



■ När du spelar SP-skivor

- Tryck samtidigt på varvtalsknapparna [78] ([78] tänds).

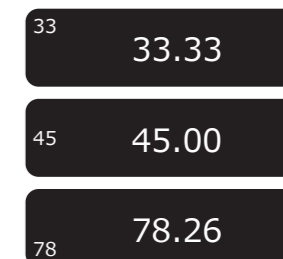


■ Om du använder en skivstabilisator (medföljer ej)

- Se bruksanvisningen för skivstabilisator.
- Maximal vikt: 1 kg

Observera

- Om du trycker på [33/45/78] på styrenheten kan du också ändra skivspelarens hastighet. (⇔21)



Varvtalskontroll (finjustering av varvtalet)

1 Tryck på [-] eller [+] på styrenheten för att utföra regleringen.

- Tonhöjden kan ställas in inom ungefär ±16% av den för närvarande inställda hastigheten på skivspelarenheten [33/45/78].
- Det aktuella inställda värdet visas på displayen på styrenheten. Displayen skiljer sig beroende på visningsläge. (Byter visningsläge ⇒ 21)
- Skivspelarens hastighet ändras varje gång tonhöjden ställs in medan skivspelaren roterar.

- Om du trycker på knappen ökar eller minskar värdet.
- Om du håller knappen nedtryckt accelererar ökningen eller minskningen.

När visningsläget är "Inställning av skivspelarens hastighet"

Skivspelarens angivna hastighet



[+]



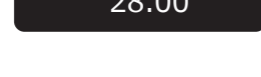
[+]



[-]



[-]



Det justerade värdet (skivspelarens hastighet)

(Ursprunglig inställning)

- Värdet med två decimaler visas.
- Skivspelarens hastighet kan justeras i steg om ± 0,01 vridning.

När visningsläget är "Inställning av tonhöjd"

Skivspelarens angivna hastighet



[+]



[+]



[-]



[-]



Det justerade värdet (procent)

(Ursprunglig inställning)

- Värdet med en decimal visas.
- Tonhöjden kan justeras i steg om ± 0,1%.

För att återgå till föreskriven hastighet för skivspelaren

Tryck på [RESET] på styrenheten. Värdet återgår omedelbart till den föreskrivna hastigheten för skivspelaren. (33^{1/3}, 45 eller 78,26 rpm)

*Displayen på styrenheten visar den föreskrivna inställningen. Skivspelarens hastighet blir den föreskrivna hastigheten för skivspelaren i skivspelarens inställningsläge och 0,0% i inställningsläget för tonhöjden.

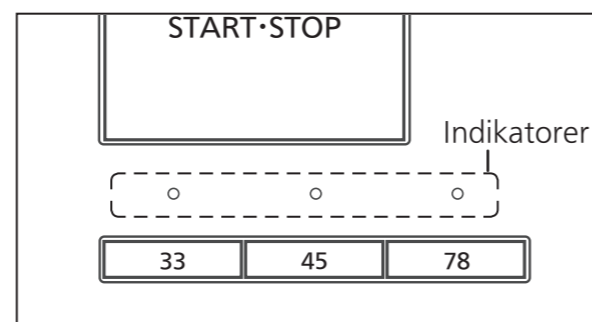
(Visningsläge: Skivspelarens hastighetsinställning)



(Visningsläge: Inställning av tonhöjd)



Indikatorn på knappen för val av hastighet på huvudenheten under tonreglering



- Blå lysdiod på: Utan tonreglering (0,0%)
- Orange LED på: Under tonregleringen

Observera

- Tonhöjden kan ställas in för varje hastighet för skivspelaren.
- Avstängningen av strömbrytaren avbryter inställningen för tonregleringen. Om du slår på strömbrytaren återgår värdet till den ursprungliga inställningen.

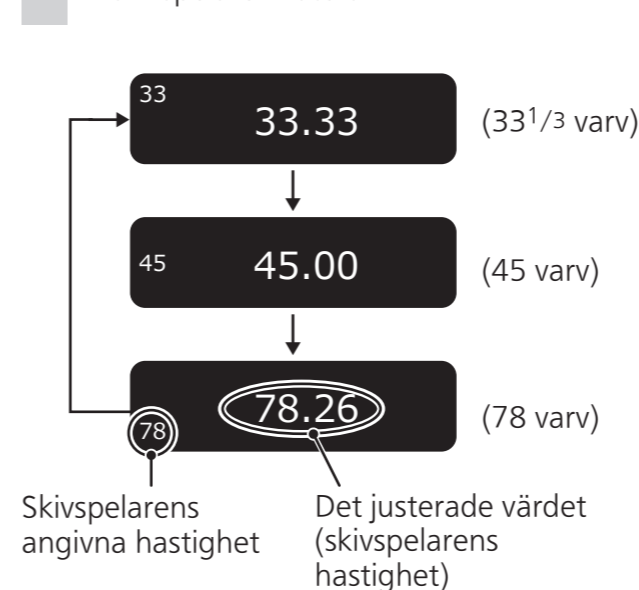
Drift och visning av styrenheten

Skivspelarens hastighetsinställning

1 Tryck på [33/45/78] på styrenheten.

Varje gång [33/45/78] trycks, ändras skivhastigheten i ordning "33" → "45" → "78" → "33" → ...

- Skivspelarens hastighet ändras varje gång tonhöjden ställs in medan skivspelaren roterar.



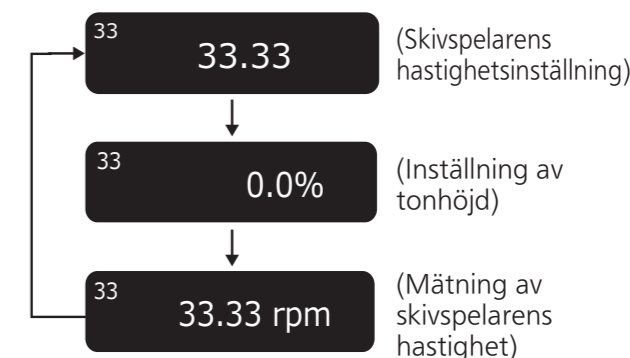
Skivspelarens angivna hastighet

Det justerade värdet (skivspelarens hastighet)

Byter visningsläge

1 Tryck på [Display] på styrenheten.

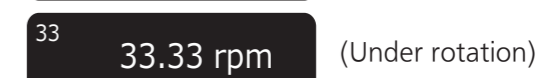
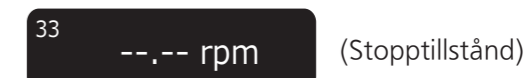
Varje gång [DISPLAY] trycks in ändras visningsläget i enlighet med "inställning av skivspelarens hastighet" → "Inställning av tonhöjd" → "Mätning av skivspelarens hastighet" → "Skivspelarens hastighetsinställning" → ...



Mätning av skivspelarens hastighet

Den faktiska skivhastigheten kan mätas i detta visningsläge. Växla visningsläge (se ovan) för att gå in i detta läge.

- "rpm" visas efter det numeriska värdet.
- "--. -- rpm" visas när skivspelaren har stannat.



Funktion under "Mätning av skivspelarens hastighet"

Om du använder knapparna enligt nedan ändras visningsläget till "Skivspelarens hastighetsinställning" så att du kan genomföra inställningen.

*Visningsläget återgår till "Mätningen för skivspelarens hastighet" om ingen operation utförs inom tre sekunder.

- [-]/[+]: Tonhöjden kan justeras. (⇒ 20)
- [RESET]: Värdet återgår omedelbart till den föreskrivna hastigheten för skivspelaren.
- [33/45/78]: Skivspelarens hastighet ändras varje gång knappen trycks ned.

Observera

- Ett genomsnittligt värde visas.

Drift och visning av styrenheten (fortsättning)

Visningsdimmer inställning

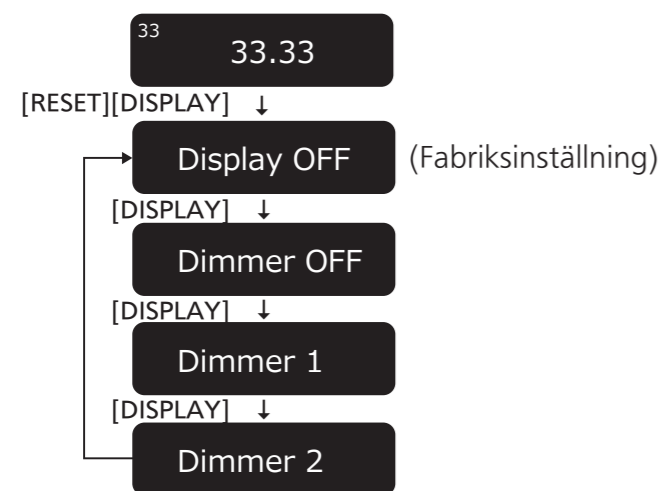
Visningsdämparen aktiveras om styrenheten inte används i 20 sekunder.
Det finns fyra dimmönster.

1 På styrenheten håller du [Återställ] nere och trycker på [DISPLAY].

- Inställningen för dimmern visas.

2 Tryck på [Display] på styrenheten. Inställningen ändras varje gång du trycker på [DISPLAY].

- Visningsläget återgår till den ursprungliga vyn om ingen operation utförs inom tre sekunder.



Skärm	Visningsdimmer när ingen operation utförs i 20 sekunder
Display OFF	Ljusstyrkan reduceras med en nivå. ⇒ (Ingen operation i ytterligare fem sekunder) ⇒ Ljusstyrkan reduceras med två nivåer. ⇒ (Ingen operation i ytterligare fem sekunder) ⇒ Av
Dimmer OFF	Ingen dimmer (Alltid på)
Dimmer 1	Ljusstyrkan reduceras med en nivå.
Dimmer 2	Ljusstyrkan reduceras med två nivåer.

- Efter inställningen justeras ljusstyrkan omedelbart till det inställda värdet. Displayen stängs omedelbart om "Display AV" är vald.
- Användning av en knapp (någon annan knapp än strömbrytaren) på kontrollenheten medan dimmern är aktiv, återställer skärmen till full ljusstyrka.

Observera

- Inställningen sparas. När strömmen slås på nästa gång kommer inställningen när strömmen senast stängdes av att återställas.

Justera vridmomentet för att rotera skivspelaren med konstant hastighet

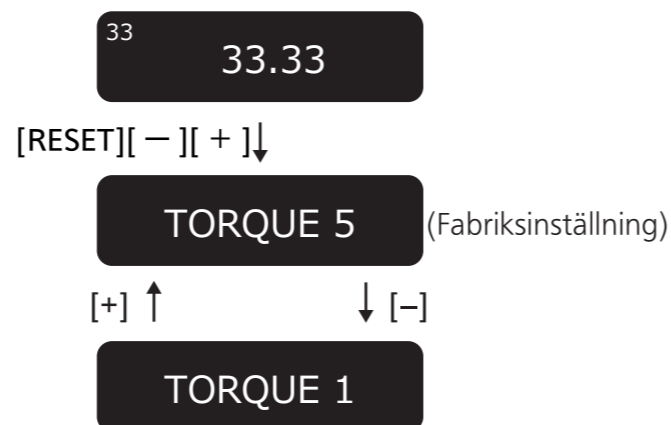
Tryck på [START•STOP] och justera sedan vridmomentet (rotationskraft) på fem nivåer för att rotera skivspelaren med konstant hastighet.

1 På styrenheten håller du [RESET] nere och trycker på [-] och [+] samtidigt.

- Inställningen för vridmomentet visas.

2 Tryck på [-] eller [+] på styrenheten för att utföra regleringen.

- Välj en av de fem nivåerna från "TORQUE1" till "TORQUE5". Om du trycker på knappen ökar eller minskar värdet.
- Använd tabellen nedan som en guide.
- Visningsläget återgår till den ursprungliga vyn om ingen operation utförs inom tre sekunder.



Skärm	Vridmoment att rotera med konstant hastighet
TORQUE5	Maximal (Fabriksinställning)
TORQUE4	↑ ↓
TORQUE3	
TORQUE2	
TORQUE1	Minimum

Observera

- Inställningen sparas. När strömmen slås på nästa gång kommer inställningen när strömmen senast stängdes av att återställas.

Underhåll

■ Rengöring av huvudenheten

Torka av huvudenheten och andra komponenter med en torr, mjuk trasa. Om delarna är mycket smutsiga kan du vrida ur en våt trasa ordentligt och torka bort smutsen. Torka sedan efter med en mjuk trasa.

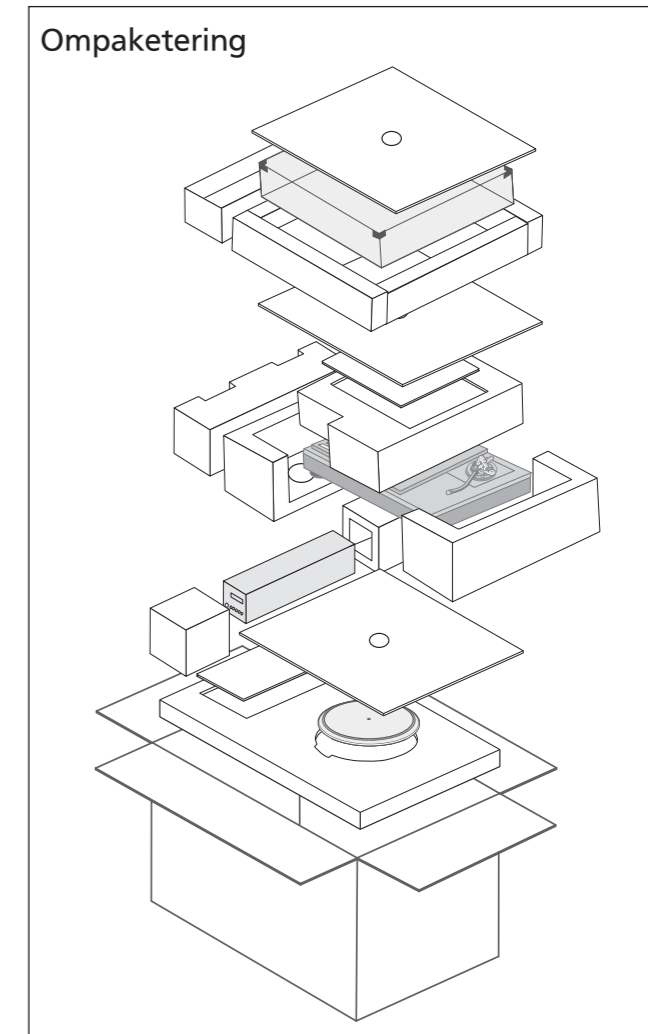
- Använd inte lösningsmedel, inklusive bensin, thinner, alkohol, köksrengöringsmedel, kemiska torkdukar etc. Det kan orsaka att höljet deformeras eller att beläggningen lossnar.

■ Flytta enheten

Återförpacka enheten i det förpackningsmaterial den levererades i. (⇒ 12) Behåll förpackningsmaterial efter att du har tagit ut varorna.

Gör följande om du inte längre har kvar förpackningen:

- Ta bort skivtallriken och skivtallriksmattan och förpacka dem noggrant.
- Förpacka noggrant huvudenheten i en filt eller i papper.



Uppspeling

Underhåll

■ WEEE-symbol

Kassering av produkten utanför EU-länderna

- Den här symbolen gäller endast inom EU.
- Kontakta din kommun eller din återförsäljare för att ta reda på korrekt sätt för kassering av enheten.

Felsökningsguide

Felsökning – Utför följande kontroller innan du begär service. Kontakta din återförsäljare om du är osäker över kontrollpunkterna eller om de angivna åtgärderna inte löser problemet.

Ingen ström.

- Är nätsladden ansluten?
→ Anslut nätsladden ordentligt. (⇒ 16)
- Är styrenheten ansluten till huvudenheten?
→ Sätt in anslutningskabeln för styrenheten tills den klickar. (⇒ 16)

Ingen indikation på styrenhetens vy.

- Är nätkontakten ansluten?
→ Sätt i det ordentligt. (⇒ 16)
- Är strömmen på?
→ Tryck på strömknappen för att sätta på strömmen. (⇒ 18)
- Är skärmdämparen aktiverad?
→ Använd en knapp (någon annan knapp än strömbrytaren) på styrenheten. (⇒ 22)

■ Felkod

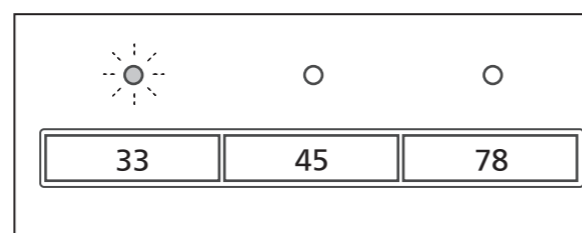
Felmeddelandet kommer att meddelas vid behov på styrenhetens skärm och med indikatorknappen för val av hastighet på huvudenheten.

Styrenhetens skärm	Mätning
Unconnected	Kontrollera att styrenheten är ansluten till huvudenheten. (⇒ 16)
F58 F76 F17	Kontakta din återförsäljare. <ul style="list-style-type: none">• En av [33/45/78] indikatorknappen för val av hastighet på huvudenheten blinkar (snabbt eller långsamt) i orange färg.• Ange det visade numret och lysdiodens blinkande status vid samrådstiden.

(Exempel på styrenhetens display i händelse av ett fel)

Unconnected

(Exempel på indikatorknappen för val av hastighet på huvudenheten vid fel)
Blinkar orange.



Tekniska data

Allmänt	
Strömförsörjning	110 - 240 V växelström, 50/60 Hz
Strömförbrukning	10 W (påslagen) 0,05 W (avstängd)
Mått (B×H×D)	<Styrenhet> 110×84×350 mm
	<Huvudenhet> 365×109×365 mm
Vikt	<Styrenhet> Ca 2.1 kg
	<Huvudenhet> Ca 18.2.0 kg
Drifttemperatur	0 °C till 40 °C
Luftfuktighet	35 % till 80 % RH (utan kondens)
Skivspelardelen	
Drivning	Direkt drivning
Motor	Borstlös likströmsmotor
Skivtallrik	Kombinerat formgjuten mässing och aluminium. Diameter: 323 mm Vikt: Ca. 7,9 kg (inklusive en gummiunderlägg)
Skivtallriks varvtal	33-1/3, 45 och 78* rpm
Varvtalets inställbara område	±16 %
Vridmoment, start	0,39 N·m (4,0 kg-cm)
Bromssystem	Elektronisk broms
Svaj	0,015 % W.R.M.S. (JIS C5521)
Terminal sektion	
Utmatningsterminal	Jordanslutning

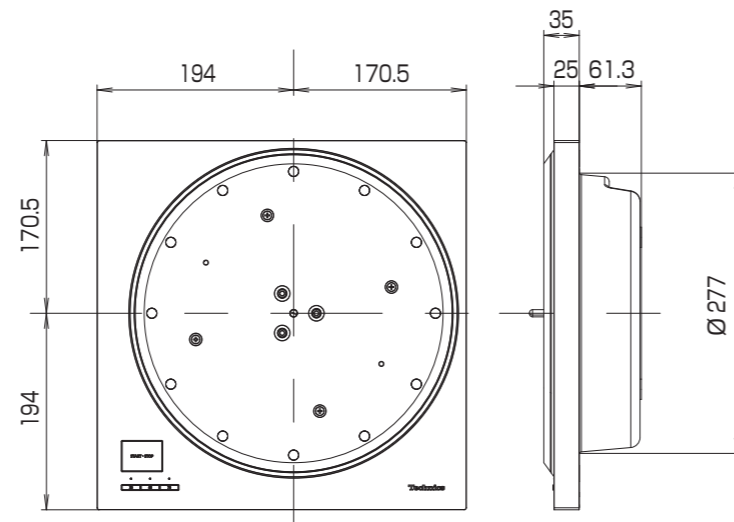
Tekniska data kan ändras utan föregående meddelande.

*Skivspelarens hastighet blir 78,26 rpm när den är inställd på 78 rpm (tonreglering 0,0%).

Dimensionella ritningar

■ Externa dimensioner

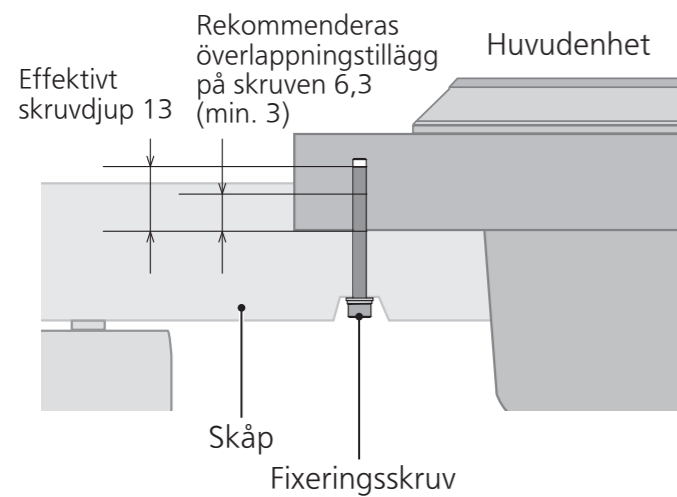
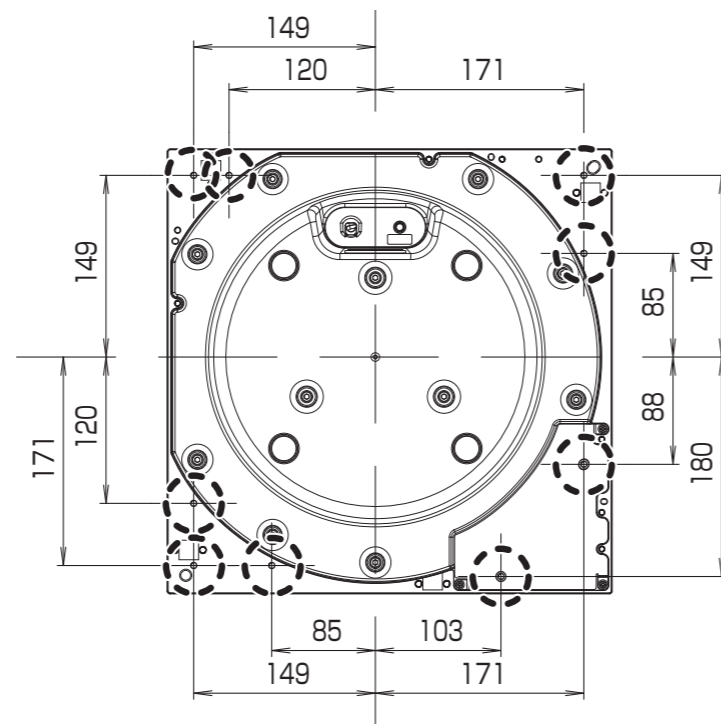
Välj ett skåp som passar med spelarens externa dimensioner.
<Enhet: mm>



■ Placering av skruvarna för att fästa skåpet

Fäst spelaren i skåpet vid de nio positionerna (markerade med prickad linje) som visas i höger bild (huvudenhetens bottenyta). <Enhet: mm>

- Fixeringsskruv: M5
Se sektions-vyn nedan när du väljer längden på fixeringsskruvarna.



Johdanto

Kiitos tämän tuotteen ostamisesta.

Lue nämä ohjeet huolellisesti ennen tuotteen käyttöä ja säilytä tämä opas myöhempää tarvetta varten.

- Tietoa näissä käyttöohjeissa esiintyvistä kuvauksista
 - Sivut, joihin viitataan, ilmaistaan muodossa ”(⇒ 00)”.
 - Esitetyt kuvat saattavat poiketa laitteestasi.

Ominaisuudet

Akseliton suoravetomoottori tasaista ja tarkkaa pyörimistä varten

- Uusi akseliton suoravetomoottori voi vähentää pienen pienä pyörinnän aikaista tärinää varmistamalla vahvan vääntövoiman korkealuokkaisen levylautasen ohjaamiseksi.
- Erittäin tarkka moottorinohjaustekniikka vaihtaa suoritustilaa moottorin toimintatilan mukaan hyvän pyörimistarkkuuden saavuttamiseksi.

Kolmikerroksinen levylautanen pyörintävakauden saavuttamiseksi

- Kolmikerroksisen levylautasen rakenne koostuu messingistä, valualumiinista ja vaimennuskumista, jotka on kiinnitetty pohjapintaan vastustamaan ei-toivottavaa resonanssia.
- Tiheät volframipainot sijaitsevat messinkiosan reuna-alueilla suuren inertiamassan tuottamiseksi.

Eriytynen ohjausyksikkö, jolla rungon ei-toivotut häiriöäänet voidaan eliminoida

- Virta- ja ohjauspiiri on sijoitettu erilleen yksittäiseen ohjausyksikköön ei-toivottujen ulkoisten häiriöäänten minimoimiseksi rungossa.
- Uusi kytkentävirtalähde, jossa on kohinanvaimennuspiiri, on kehitetty jännitesyötön kohinan vähentämiseksi.

SP-10MK2- ja SP-10MK3-yhteensopivuus

- Levysoittimen pohjan muoto ja ruuvien paikat ovat pysyneet samoina kuin SP-10MK2- ja SP-10MK3-malleissa, jotta niiden kotelo ja äänivartta voidaan yhä käyttää.

Sisällysluettelo

● Ennen käyttöä

Turvallisuusvarotoimet	06	Ennen käyttöä
Lisälaitteet	09	
Osien nimet	10	

● Alkuun pääseminen

Paketin avaaminen ja valmistelu	12	Alkuun pääseminen
• Huomautuksia tavaroiden pakkauslaatikosta poistamisesta ja kuljettamisesta	12	
Soittimen kokoaminen	13	
• Ennen kuin kokoat soittimen (kotelon ja äänivarren osalta)	13	
• Kotelon asentaminen	13	
• Levylautasen asennus	15	
• Levysoittimen maton asennus	15	
itännät ja asennus	16	
• Ohjausyksikön liittäminen / virtapistokkeen ja maadoitusjohdon kytkeminen	16	
• Asennus	17	

● Toistamien

Äänilevyjen soittaminen	18	Toistamien
Pitch-säätö (hienosäätö pitchiin)	20	
Ohjausyksikön toiminta ja näyttö	21	
• Levylautasen nopeuden asettaminen	21	
• Näyttötilan vaihtaminen	21	
• Levylautasen nopeusmittaus	21	
• Näytön himmennysasetus	22	
• Vääntömomentin säätäminen levylautasen pyörittämiseksi vakionopeudella	22	

● Huolto

Huolto	23	Huolto
Vianmääritysopas	24	
Tekniset tiedot	25	
Mittapiirustukset	26	

Turvallisuusvarotoimet

VAROITUS

Laite

- Tulipalo-, sähköisku- tai vahinkovaaran välttämiseksi,
 - Älä anna tämän laitteen altistua sateelle, kosteudelle, pisaroille tai roiskeille.
 - Älä laita laitteen päälle mitään nesteitä sisältäviä esineitä kuten maljakot.
 - Käytä ainoastaan suositeltuja varusteita.
 - Älä poista suojuksia.
 - Älä korjaa tätä laitetta itse. Anna huoltopalvelut tehtäväksi pätevälle henkilöstölle.
 - Älä anna metalliesineiden pudota laitteen sisälle.
 - Älä laita painavia esineitä laitteen päälle.

Verkkokaapeli

- Tulipalo-, sähköisku- tai vahinkovaaran välttämiseksi,
 - Varmista, että virtalähteen jännite vastaa laitteeseen merkittyä jännitettä.
 - Työnnä verkkovirtapistoke kunnollisesti pistorasiaan.
 - Älä vedä tai taivuta kaapelia tai aseta sen päälle painavia esineitä.
 - Älä käsittele pistoketta märillä käsillä.
 - Pidä kiinni verkkovirtapistokkeen rungosta, kun irrotat pistokkeen.
 - Älä käytä vahingoittunutta verkkovirtapistoketta tai pistorasiaa.
- Pistoketta käytetään virrankatkaisulaitteena. Asenna yksikkö siten, että pistoke voidaan irrottaa nopeasti pistorasiasta.
- Varmista, että pistokkeen maadoituspiikki on kytketty tiukasti sähköiskujen ehkäisemiseksi.
 - LUOKAN I rakenteella varustetut laitteet on kytkettävä pistorasiaan, jossa on suojaava maadoitus.

VAARA

Laite

- Älä laita avotulisia esineitä kuten kynttilöitä laitteen päälle.
- Laite saattaa kärsiä radiotaajuisista häiriöistä, jotka aiheutuvat matkapuhelimista käytön aikana. Jos kyseisiä häiriöitä tapahtuu, lisää matkapuhelimen ja tuotteen välistä etäisyyttä.
- Tämä laite on tarkoitettu käytettäväksi trooppisissa ilmastoissa.
- Älä laita mitään esineitä laitteen päälle. Laite kuumenee ollessaan päällä.
- Kahden tai useamman henkilön pitäisi aina olla mukana rungon pois ottamisessa ja kuljettamisessa.
- Varo jättämästä käsiä ja/tai sormia levylautasyksikön väliin levysoittimen kokoamisen yhteydessä.

Sijoitus

- Sijoita laite tasaiselle pinnalle.
- Tulipalo-, sähköisku- tai vahinkovaaran välttämiseksi,
 - Älä asenna tai sijoita tätä laitetta kirjahyllyyn, suljettuun kaappiin tai muuhun rajalliseen tilaan. Varmista laitteen riittävä tuuletus.
 - Älä tuki laitteen tuuletusaukkoja lehdillä, pöytäliinalla, verhoilla tai vastaavilla esineillä.
 - Älä anna tämän laitteen altistua suoralle auringonvalolle, korkeille lämpötiloille, runsaalle kosteudelle tai liialliselle tärinälle.
- Varmista, että sijoituspaikka on riittävän tukeva kestääkseen laitteen painon (⇒ 31).
- Älä nosta tai kanna tätä laitetta pitämällä kiinni sen nupeista. Niin tekemällä voidaan aiheuttaa tämän laitteen kaatuminen sekä henkilövahinkoja tai tämän laitteen toimintahäiriö.



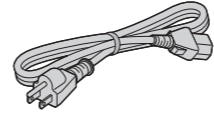
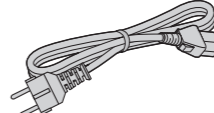
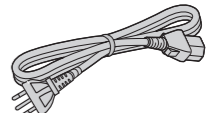
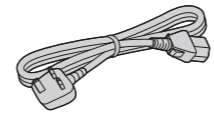
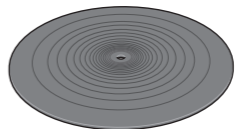
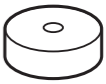
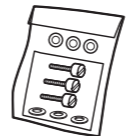
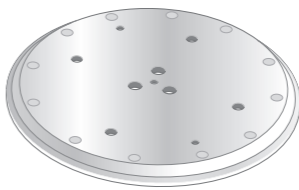
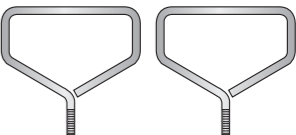
Vanhan laitteen hävittäminen

Ainoastaan Euroopan yhteisölle ja maille kierrätysjärjestelmien kanssa

Tämä tuotteessa, pakkauksessa ja/tai sen mukana toimitettavissa asiakirjoissa oleva tunnus tarkoittaa sitä, että käytettyjä sähkö- ja elektroniikkalaitteita ei saa laittaa tavallisen kotitalousjätteen sekaan. Vanhojen tuotteiden kunnollista käsittelyä, uudelleenkäyttöä ja kierrätystä varten ole hyvä ja toimita nämä tuotteet asianmukaiseen keräyspisteeseen kansallisen lainsäädännön mukaisesti. Niiden moitteeton hävittäminen auttaa säästämään arvokkaita resursseja ja ehkäisee ihmisten terveyteen sekä ympäristöön vaikuttavia haittavaikutuksia. Jos haluat lisätietoja keräämisestä ja kierrätyksestä, ota yhteyttä paikallisiin viranomaisiin. Tämän romun virheellinen hävittäminen voi johtaa rangaistustuomioon kansallisen lainsäädännön mukaisesti.

Lisälaitteet

Jotta laite ei vahingoittuisi kuljetuksen aikana, joitakin varusteita on purettu. Tarkista ja tunnista toimitetut lisävarusteet.

<p>Verkkovirtajohto (1 kpl) (K2CG3YY00191)</p> 	<p>Verkkovirtajohto (1 kpl) (K2CM3YY00041)</p> 	<p>Verkkovirtajohto (1 kpl) (K2CS3YY00033)</p> 
<p>Verkkovirtajohto (1 kpl) (K2CT3YY00081)</p> 	<p>Levysoittimen matto (1 kpl) (RGS0008)</p> 	<p>EP-levysovitin (1 kpl) (TEKX077)</p> 
<p>Ruuvisarja levylautasta varten (1 sarja) (TYL0194)</p> <ul style="list-style-type: none"> ● Pitkät ruuvit (3 kpl) ● Aluslevyt (3 kpl) ● Belleville-jouset (3 kpl) 	<p>Levylautanen (1 kpl) (TYL0195)</p> 	<p>Irrotettava kahva (2 kpl) (TXQ0020)</p> 

- Lisävarusteiden mallinumerot ovat voimassa helmikuusta 2018 alkaen. Tietoja voidaan muuttaa ilman erillistä ilmoitusta.
- Säilytä pakkausmateriaalit myöhempää käyttöä varten. Näin levysoitinta voidaan siirtää pitkiäkin matkoja.
- Noudata paikallisia määräyksiä, kun hävität tuotteen.
- Älä käytä mitään muuta kuin mukana toimitettua vaihtovirtajohtoa.
- Pidä lisäpaino, ruuvit ja aluslevyt lasten ulottumattomissa, jotteivät he nielisi niitä.

Osiennimet

Numerot, kuten (⇒ 00), osoittavat viitattaviin sivuihin.

Runko (etuosa)

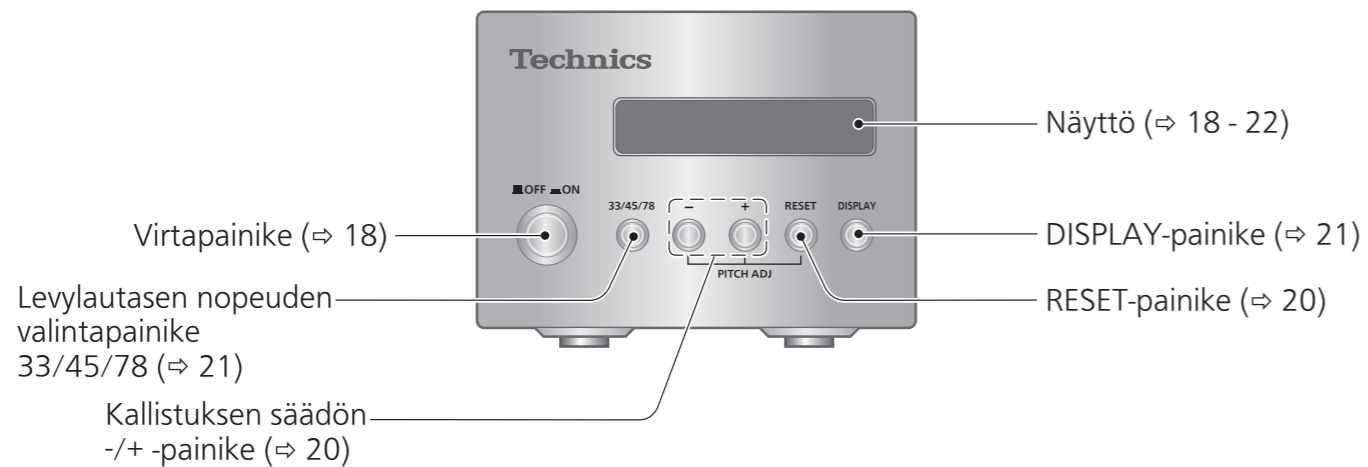
KÄYNNISTYS-PYSÄYTYS-painike (⇒ 18)

Keskitappi (⇒ 14)

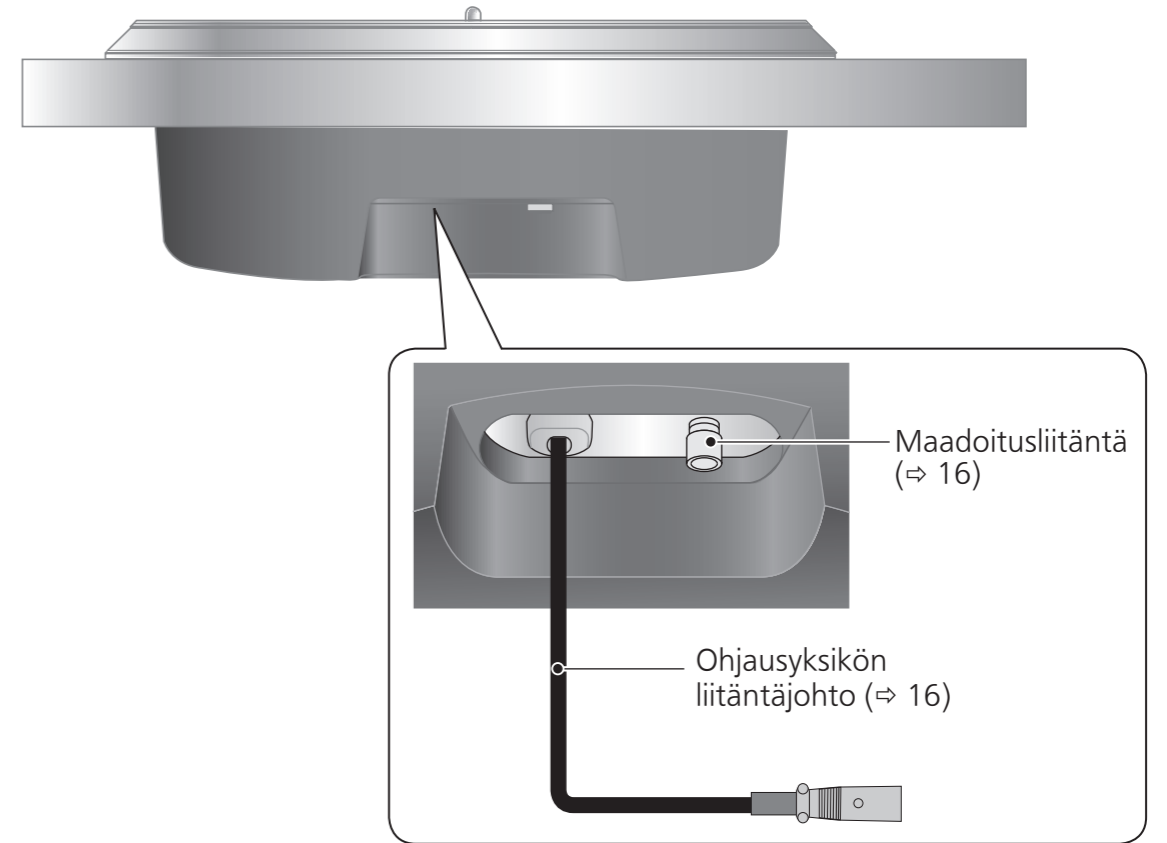
Nopeuden valintapainikkeet (⇒ 18)

Levyautanen (⇒ 14)

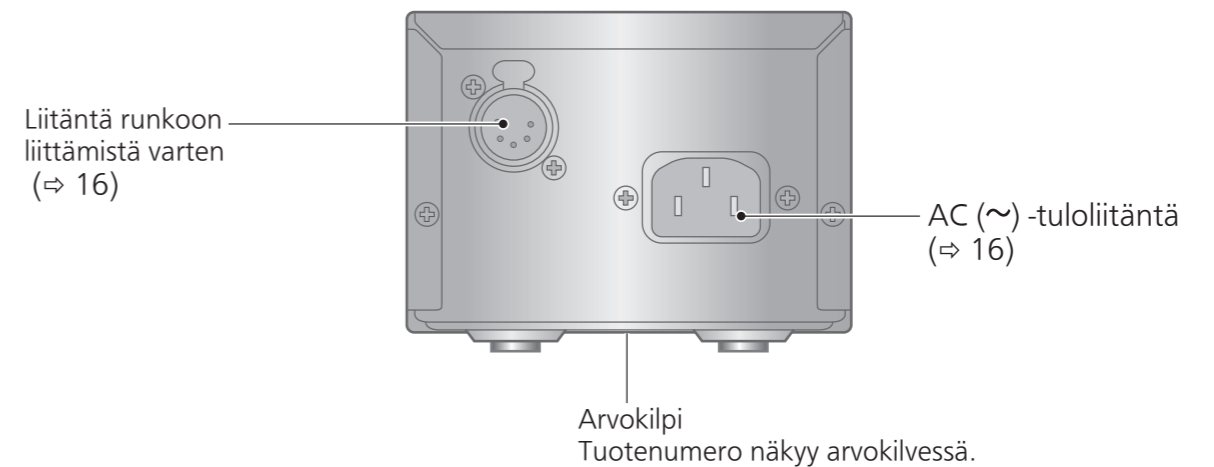
Ohjausyksikkö (etuosa)



Runko (takaosa)



Ohjausyksikkö (takaosa)

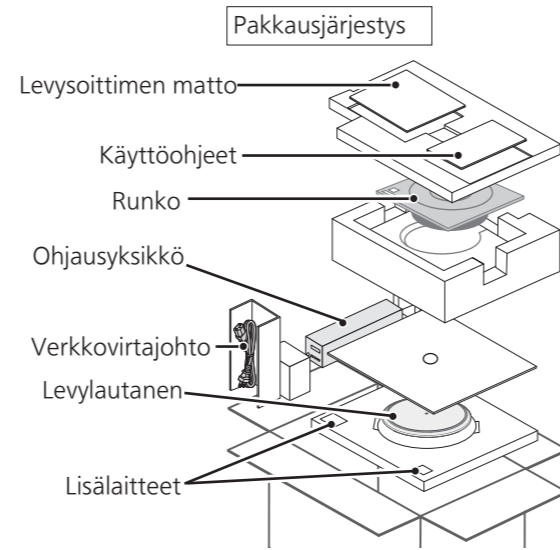


Paketin avaaminen ja valmistelu

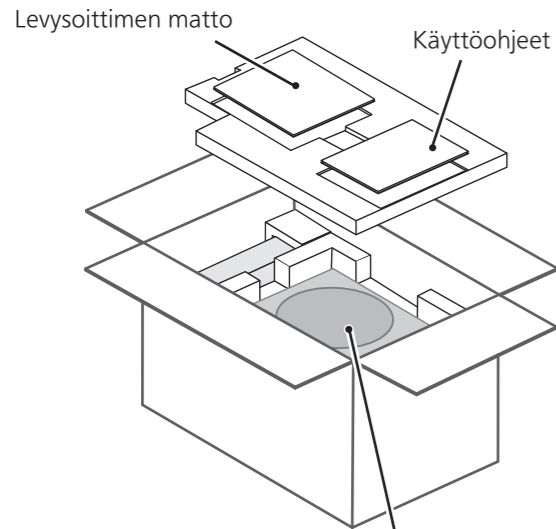
Huomautuksia tavaroiden pakkauslaatikosta poistamisesta ja kuljettamisesta

Huomio

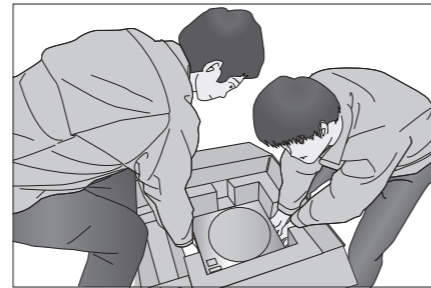
- Kahden tai useamman henkilön pitäisi aina olla mukana rungon pois ottamisessa ja kuljettamisessa.
- Varo, ettet menetä tasapainoa, jos nostat laitetta käsin niin, ettet ole optimaalisessa asennossa.
 - Saatat vahingoittaa selkäsi.
 - Voit menettää tasapainon portaissa ja vastaavissa ja loukkaantua sen vuoksi.
- Varo, etteivät sormesi jää kiinni ottaessasi runkoa esiin.
- Varo, etteivät sormesi jää rungon pohjan ja lattian väliin.
- Säilytä pakkausmateriaalit myöhempää käyttöä varten.
- Ota tavarat esiin sen jälkeen kun olet päättänyt asennuspaikan.
- Katso asennusta koskevat huomautukset kohdasta "Asentaminen" (⇒17).



- ① Ota levylautasen suojalevy ja käyttöohjeet esiin.
- Pidä lisävarusteet lasten ulottumattomissa.
 - Runko ja ohjausyksikkö on pakattu suojalevyihin.

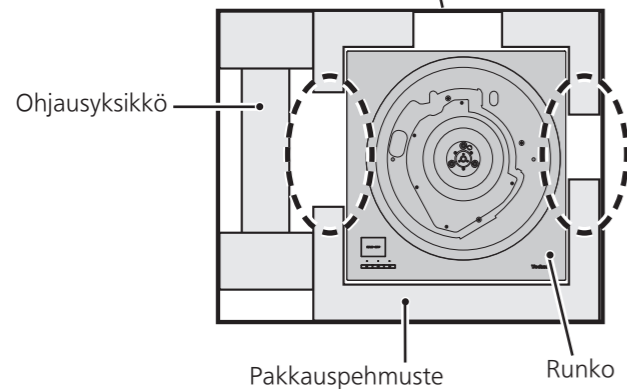


- ② Laita kätesi pakkauspehmusteiden väliin (katkoviivalla merkitty alue pakkauslaatikon ylänäkyvässä) ja nosta runko hitaasti ulos. Suorita tämä toimenpide aina kahden tai useamman henkilön voimin.
- Ole hyvin varovainen nostaessasi runkoa.
 - Pitele runkoa pohjasta, jotta et menettäisi otettasi siitä.
 - Käytä molempia käsiä, jotta et menettäisi tasapainoa.

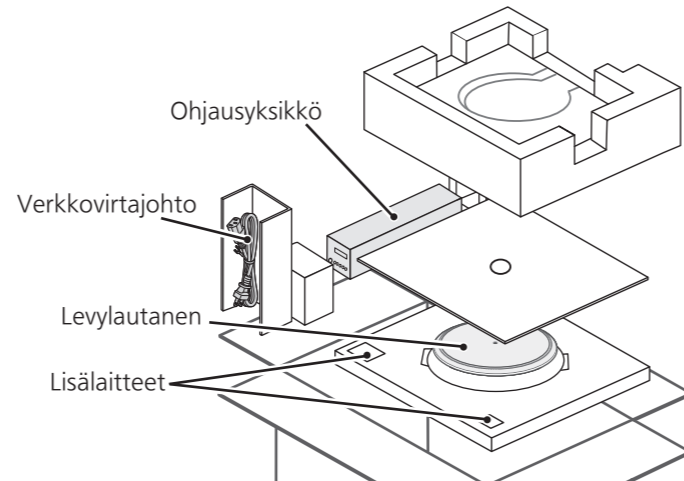


Kuva nostamisesta

Yläpuolinen näkymä pakkauslaatikkoon



- ③ Ota ohjausyksikkö, vaihtovirtajohto, levylautanen ja muut lisävarusteet esiin.



Soittimen kokoaminen

Ennen kuin kokoat soittimen (kotelon ja äänivarren osalta)

■ Koteloon liittyviä ohjeita

- Tässä soittimessa SP-10MK2:n ja SP-10MK3:n pohjan muoto ja ruuvien paikat on säilytetty, joten voit yhä käyttää SP-10MK2- tai SP-10MK3-järjestelmän koteloa ja äänivartta.
- Tämänmallisessa soittimessa on suuri käynnistysmomentti. Hyödynnä sen ominaisuuksia ja suorituskykyä täysimääräisesti käyttämällä paksusta materiaalista valmistettua raskasta koteloa.
- Kun valitset koteloa, valitse sen ulkomitat äänivarren tehollisen pituuden mukaan.
- Käytä tukevia ja vahvoja eristimiä kotelon tukemiseen.
- Levysoittimen asennusmitat (⇒26)

■ Äänivarren asennusohjeita

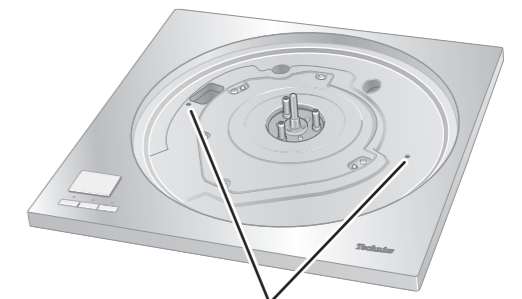
- Käytä erikseen myytävää äänivarren jalustaa. Noudata yksityiskohtissa, kuten asennuksessa, äänivarren jalustan käyttöohjeita ja äänivarren esitteen ohjeita.

Kotelon asentaminen

- 1 Kiristä irrotettavien kahvojen ruuvit rungossa oleviin irrotettavien kahvojen kiinnitysreikiin (kaksi kohtaa).

- 2 Nosta runko hitaasti ja aseta se koteloon.

- 3 Kiinnitä runko koteloon ruuveilla.
- Asenna noudattaen kotelon käyttöohjeita..



Irrotettavan kahvan kiinnitysreikä

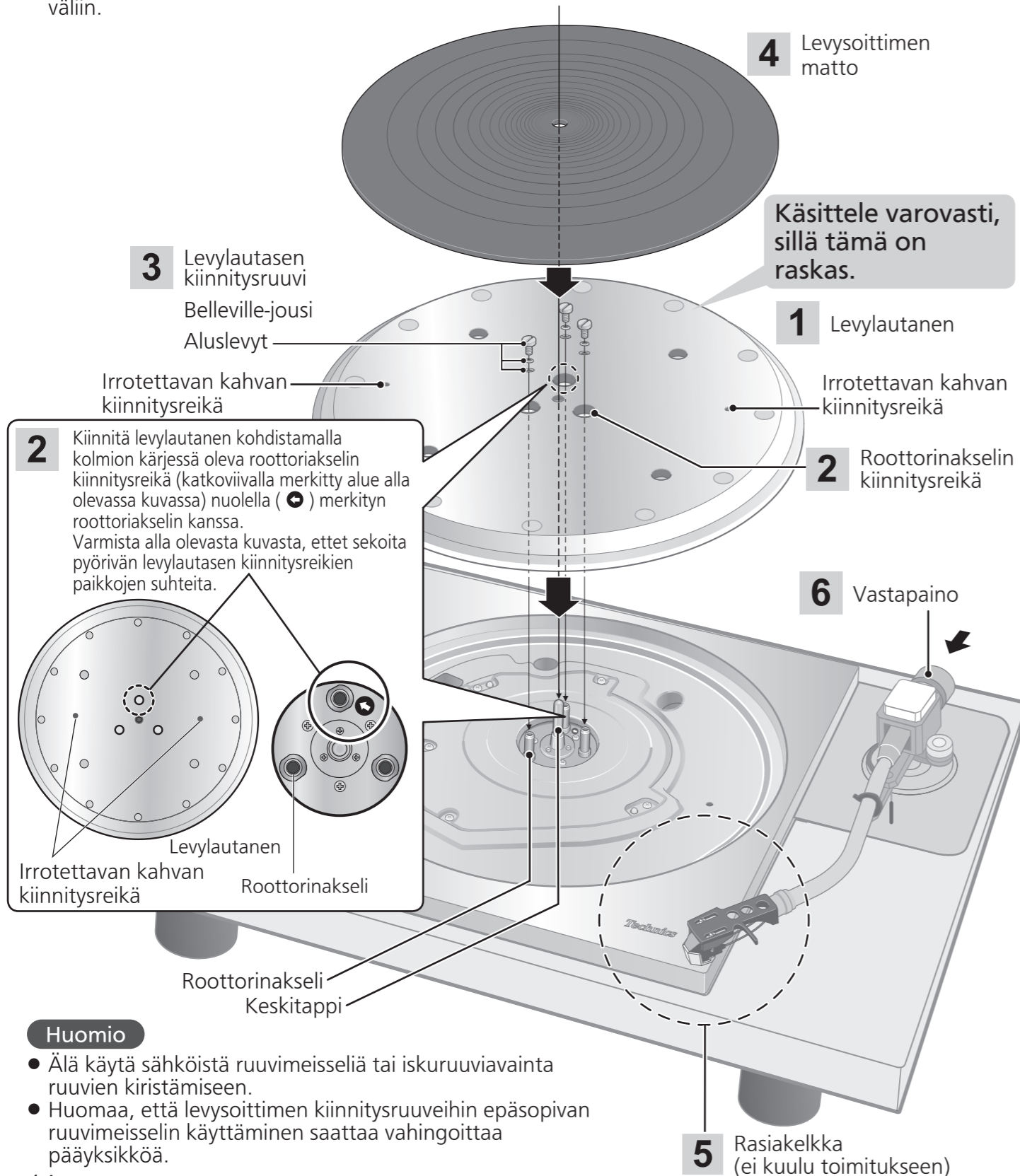


Soittimen kokoaminen (jatkuu)

Jotta laite ei vahingoittuisi kuljetuksen aikana, joitakin varusteita on purettu. Kokoaa soitin seuraavassa järjestyksessä.

Huomio

- Älä kytke verkkovirtajohtoa, ennen kuin asennus on valmis.
- Levysoittimen asentamisen yhteydessä estä vieraiden materiaalien pääsy rungon ja levylautasen väliin.



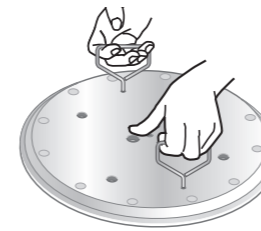
5 Rasiakelkka (ei kuulu toimitukseen)

Huomio

- Älä käytä sähköistä ruuvimeisseliä tai iskuruuviavainta ruuvien kiristämiseen.
- Huomaa, että levysoittimen kiinnitysruuveihin epäsoivan ruuvimeisselin käyttäminen saattaa vahingoittaa pääyksikköä.

Levylautasen asennus

1



Kiristä irrotettavien kahvojen ruuvit levylautasen irrotettavien kahvojen kiinnitysreikiin

(kaksi kohtaa). Nosta levylautanen hitaasti ja laske se sitten niin, että keskitappi asettuu levylautasen keskireikään.

Huomio

- Kiristä irrotettava kahva kiertämällä sitä vähintään 5 kertaa. Jos olet kiristänyt sen loppuun asti, löysää hieman. Älä kiristä sitä tiukalle.
- Ole varovainen, kun käsittelet levysoitinta, sillä se on raskas.
- Pyyhi sormenjäljet tai lika pehmeällä liinalla.

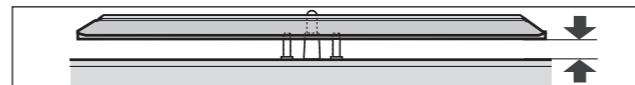
2

Laske levylautasta hitaasti samalla kun kohdistat roottoriakselin kiinnitysreiät (kolme paikkaa) roottoriakseliin.

- Kiinnitä roottoriakselia käyttäen ja nuolimerkin mukaan. (⇒ 14)

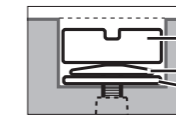
Huomio

- Jos roottoriakselit ovat vinossa, levylautasen ja pääyksikön väliin jää rako eikä voi kiinnittää levylautasta oikein. Älä pakota levylautasta alaspäin.



3

Kiinnitä levylautasen aluslevyt, belleville-jouset ja ruuvit roottoriakselin kiinnitysreikiin ja kiristä kiinnitysruuvit kunnolla.



Levylautasen kiinnitysruuvi
Belleville-jousi
Aluslevyt

Huomio

- Kun kiristät ruuveja, älä anna ruuvinkantojen pistää esiin levylautasen yläpinnasta.
- Kiristä kolme ruuvia yhdenmukaisesti. Ellei näin tehdä, levylautanen saattaa täristä tai pyöriä epävakaasti. Varmista, ettei yksikään ruuvi ole löysällä.

Levylautasen poistaminen

- ① Löysää levylautasen kiinnitysruuvit ja poista ne.
-Säilytä ruuvit, belleville-jouset ja aluslevyt huolellisesti.
- ② Kiristä irrotettavien kahvojen ruuvit levylautasen irrotettavien kahvojen kiinnitysreikiin (kaksi kohtaa) ja nosta levylautanen hitaasti suoraan ylös.

Levysoittimen maton asennus

4

Aseta levysoittimen matto levylautaseen.

Liitännät ja asennus

- Sammuta kaikki laitteet ja irrota verkkovirtajohto pistorasiasta ennen kuin teet mitään liitännöitä.
- Kytke verkkovirtajohto vasta kun kaikki muut liitännät on tehty.
- Katso myös kytkettävän laitteen käyttöohjeita.

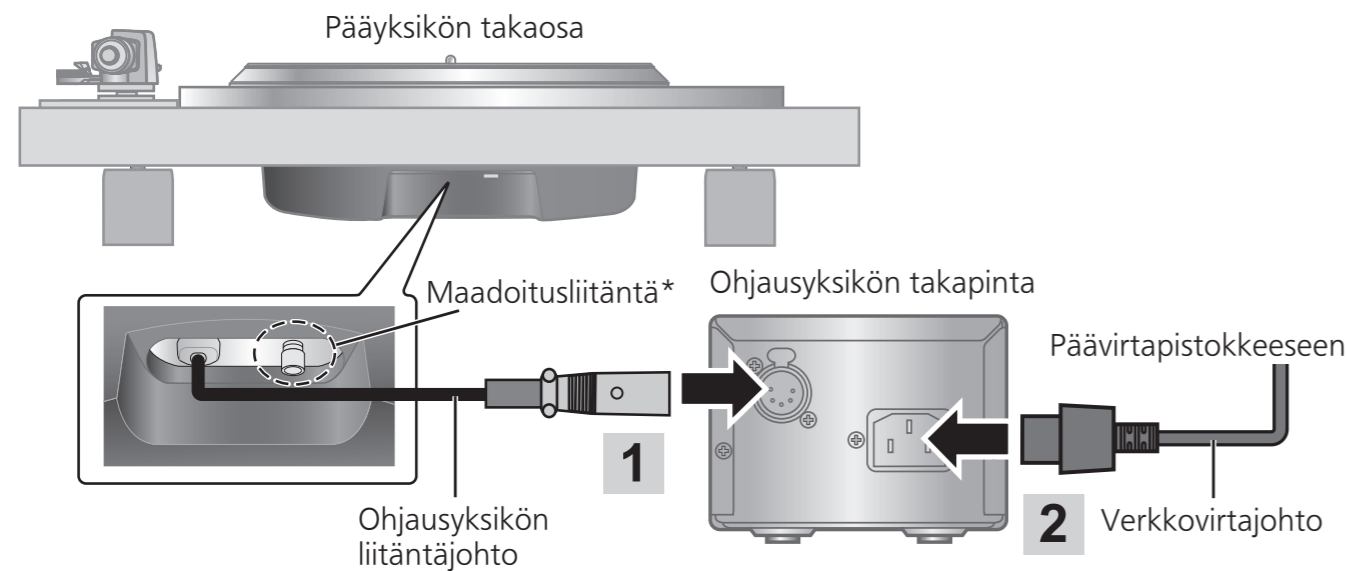
Ohjausyksikön liittäminen / virtapistokkeen ja maadoitusjohdon kytkeminen

2 Kytke ohjausyksikön liitäntäjohto työntämällä sitä, kunnes se napsahtaa paikalleen.

3 Kytke vaihtovirtajohto.

5 Kytke virtapistoke ja maadoitusalusta.

- Varmista pistorasian wattiluku liitetystä laitteesta ennen sen käyttämistä tässä laitteessa. (Tämä laite kuluttaa 10 W.)



*Mikäli tarpeellista liitä rungon maadoitusliitäntä vahvistimen vastaavaan kaupallisesti saatavalla maadoitusjohdolla.

Huomaa

- Käyttökytkin ei irrota koko laitetta sähköverkosta, vaikka se olisi "OFF"-asennossa. Poista pistoke pääpistorasiasta, ellet aio käyttää laitetta pitkään aikaan. Sijoita laite niin, että pistoke voidaan helposti poistaa.

Asennus

Huomautuksia asennuksesta

- Käytä laitteen asentamiseen tai siirtämiseen aina vähintään kahta henkilöä.
- Ennen kuin siirät laitetta, irrota kaikki liitetyt laitteet ja katkaise virransyöttö. Laitteen siirtäminen ohjausyksikkö liitettynä voi aiheuttaa laitteen putoamisen ja henkilövahingon.
- Varmista, ettei laite altistu suoralle auringonvalolle, pölylle, kosteudelle eikä lämmityslaitteen lämmölle.
- Tämä laite saattaa saada häiriötä radiosta, jos sellainen on lähellä. Pidä laite mahdollisimman kaukana radiosta.
- Älä asenna laitetta lämmönlähteen päälle.
- Vältä paikkoja, joissa on suuria lämpötilan vaihteluita.
- Vältä paikkaa, jossa esiintyy usein kondensaatiota.
- Jos kallistuksenestotoimia tarvitaan, ota yhteyttä urakoitsijaan. Lattian ja seinän lujuus on tarkistettava.
- Vältä epävakaata paikkaa.
- Varmista, että asennuspaikka on riittävän vahva kestämään laitteen ja järjestelmän kokonaispainon.
- Älä laita esinettä laitteen päälle.
- Älä asenna laitetta rajattuun tilaan, kuten kirjahyllyyn.
- Asenna laite seinistä tai muista laitteista hyvin etäällä olevaan paikkaan varmistaaksesi tehokkaan lämpösäteilyn laitteen sisältä.
- Älä vedä laitetta väkisin asentamisen jälkeen. Muuten eristin tai lattian pinta voi vahingoittua.
- Huomaa, että laite saattaa vahingoittua tupakansavusta tai ultraääni-ilmankestuttimen kosteudesta.

Kondensaatio

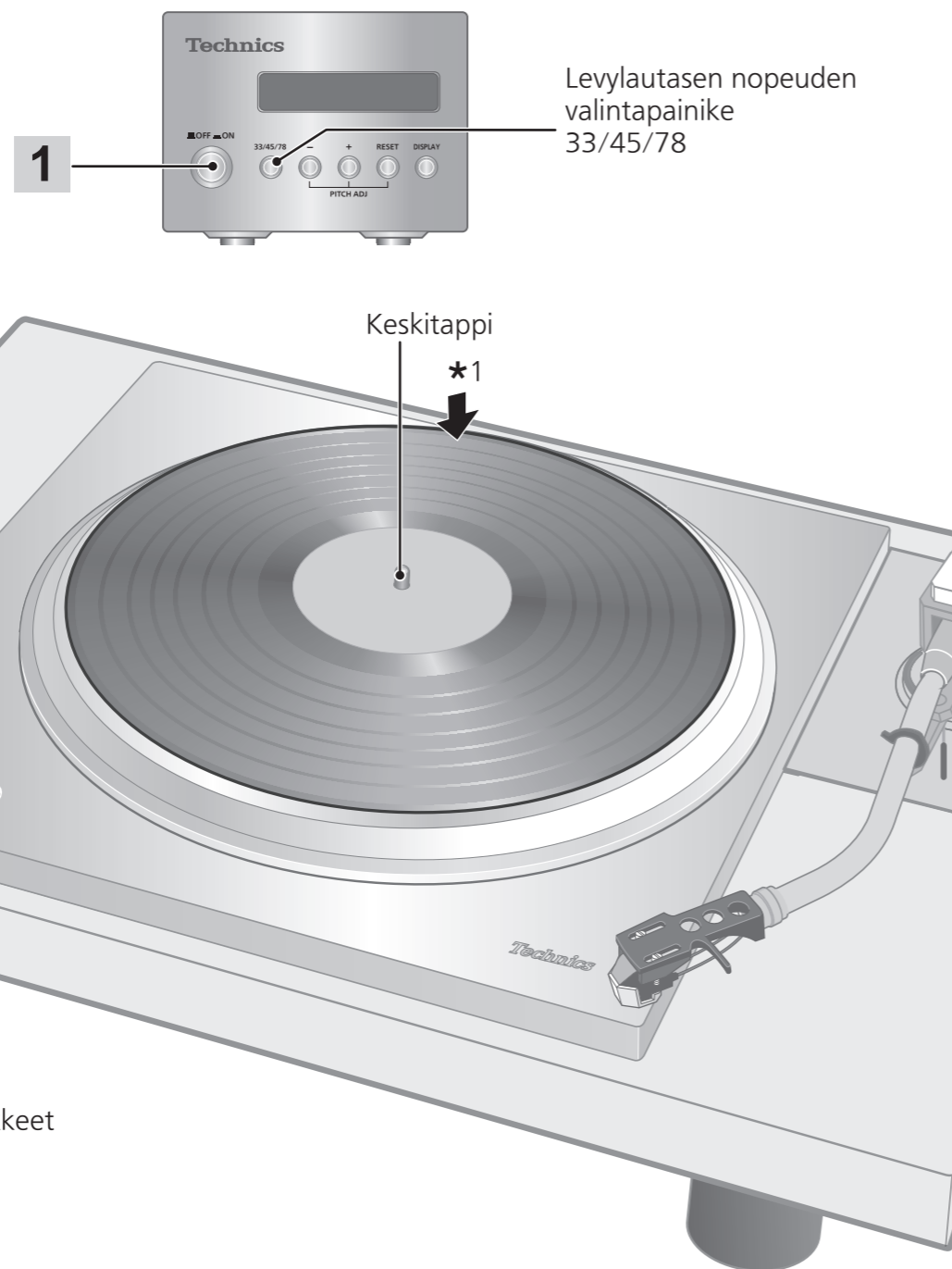
Ajattele kylmän pullon pois ottamista jääkaapista. Jos jätät sen huoneeseen joksikin aikaa, kastepisarointia muodostuu pullon pinnalle. Tätä ilmiötä kutsutaan "kondensoitumiseksi".

- Kondensaatiota aiheuttavia olosuhteita
 - ◇ Nopea lämpötilan muutos (jonka aiheuttaa siirtymisen lämpimästä paikasta kylmään paikkaan tai päinvastoin, nopea jäähdytys tai lämmitys tai suora altistuminen jäähdytetylle ilmalle)
 - ◇ Korkea ilmankosteus huoneessa, jossa on paljon höyryä jne.
 - ◇ Sadekausi
- Kondensaatio voi vahingoittaa laitetta. Jos sitä on tapahtunut, sammuta laite ja anna sen olla, kunnes se mukautuu ympäristön lämpötilaan (noin 2–3 tuntia).

Äänilevyjen soittaminen

Valmistelu

★1 Aseta levy (ei kuulu toimitukseen) levylautaselle.

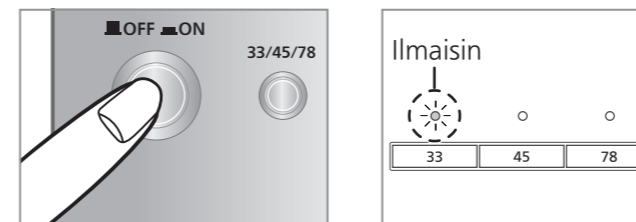


Huomio

Älä paina [START-STOP]-painiketta levyautasan irrottamisen aikana.

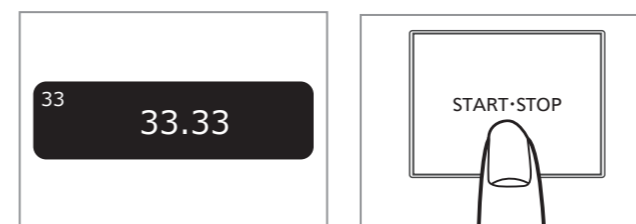
1 Paina ohjausyksikön virtapainiketta kytkeäksesi yksikön päälle.

Nopeus asetetaan automaattisesti 33^{1/3} kierrokseen minuutissa, rungon [33]-merkkivalo syttyy ja levyautasan nopeus [33,33] ilmestyy ohjausyksikön näytölle.



2 Paina [START-STOP]-painiketta.

Levyautanen alkaa pyöriä.

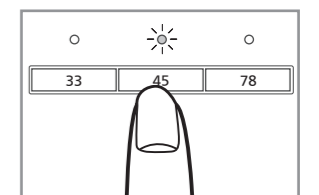


■ Kun toisto päättyy

- ① Nosta varsitangon vipua, aseta äänivarsi takaisin kannattimeensa ja laske varsitangon vipua.
- ② Paina [START-STOP]-painiketta. Elektroninen jarru pysäyttää levyautasan kevyesti.
- ③ Paina ohjausyksikön virtapainiketta kytkeäksesi yksikön pois päältä.
- ④ Kiinnitä äänivarsi varren kiinnittimellä.
- ⑤ Laita neulan suojus takaisin (suojaamaan neulan kärkeä).

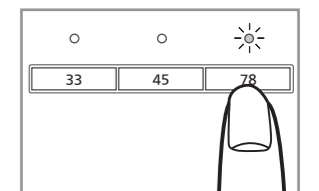
■ Toistettaessa EP-levyjä

- Paina nopeuden valintapainiketta [45] ([45] syttyy).
- Asenna EP-levysovitin keskitalpin ylle.



■ Toistettaessa SP-levyjä

- Paina nopeuden valintapainikkeita [78] samanaikaisesti ([78] syttyvät).

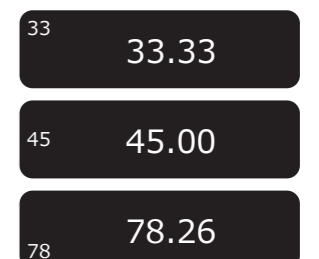


■ Käytettäessä äänilevyn vakainta (ei mukana)

- Katso levynvakaimen käyttöoppaasta.
- Enimmäispaino: 1 kg

Huomaa

- Levyautasan nopeutta voidaan muuttaa myös painamalla ohjausyksikön kohtaa [33/45/78]. (⇒21)



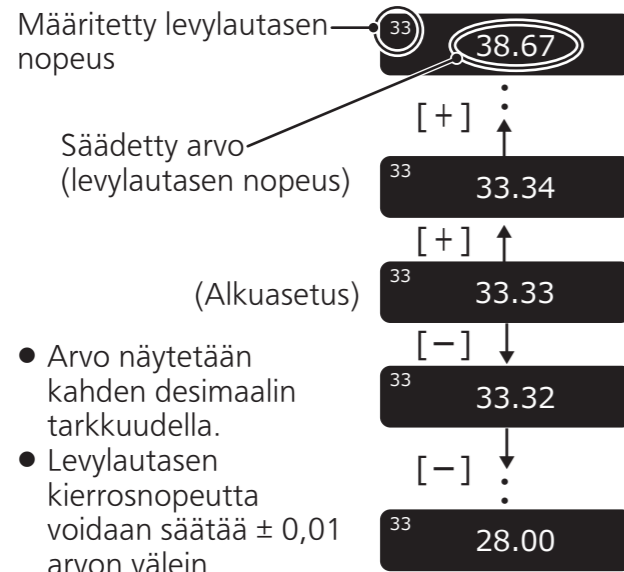
Pitch-säätö (hienosäätö pitchiin)

1 Säädä painamalla ohjausyksikön painikkeita [-] tai [+].

- Kallistus voidaan asettaa noin $\pm 16\%$:n rajoihin nykyisestä levylautasen nopeudesta [33/45/78].
- Nykyinen asetusarvo tulee näkyviin ohjausyksikön näyttöön. Näyttö vaihtelee näyttötilan mukaan. (Näyttötilan vaihtaminen \Rightarrow 21)
- Levylautasen nopeus vaihtuu joka kerta kun kallistus asetetaan levylautasen pyöriessä.

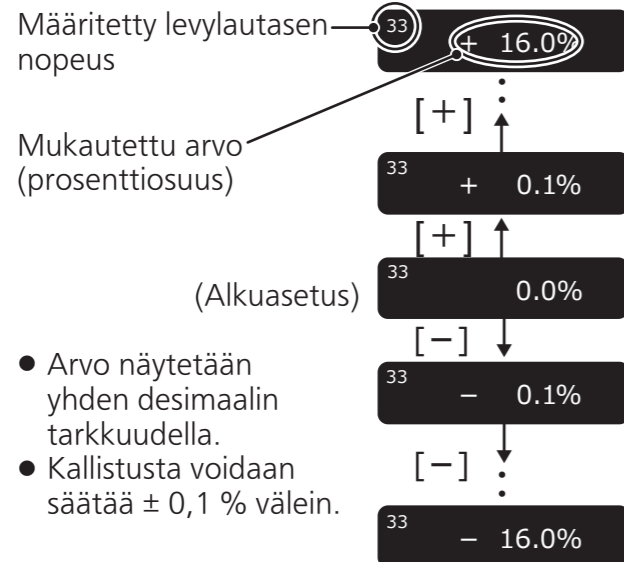
- Painikkeen painaminen suurentaa tai pienentää arvoa.
- Painikkeen pitäminen alhaalla kiihdyttää lisäystä tai vähennystä.

■ Kun näyttötilana on "Levylautasen nopeuden asettaminen"



- Arvo näytetään kahden desimaalin tarkkuudella.
- Levylautasen kierrosnopeutta voidaan säätää $\pm 0,01$ arvon välein.

■ Kun näyttötilana on "Kallistuksen asettaminen"



- Arvo näytetään yhden desimaalin tarkkuudella.
- Kallistusta voidaan säätää $\pm 0,1\%$ välein.

■ Määrättyyn levylautasen nopeuteen palaaminen

Paina ohjausyksikön [RESET]-painiketta. Arvo palaa määrättyyn levylautasen nopeuteen välittömästi.

(33^{1/3}, 45 tai 78,26 rpm)

*Määrätty asetukset näkyvät ohjausyksikön näytössä.

Levylautasen nopeus muuttuu määrättyksi levylautasen nopeudeksi levylautasen nopeuden asetustilassa ja 0,0 %:a kallistuksen asetustilassa.

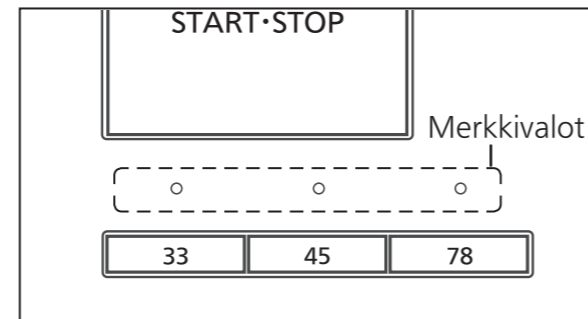
(Näyttötila: levylautasen nopeuden asettaminen)



(Näyttötila: kallistuksen asettaminen)



■ Rungossa olevan nopeuden valintapainikkeen merkkivalot kallistuksen säädön aikana



- Sininen LED-valo palaa: ilman kallistuksen säätöä (0,0 %)
- Oranssi LED-valo palaa: kallistuksen säädön aikana

Huomaa

- Kallistus voidaan asettaa jokaiselle levylautasen nopeudelle.
- Virtapainikkeen laittaminen pois päältä peruuttaa kallistuksen säätöasetuksen. Virtapainikkeen laittaminen takaisin päälle palauttaa arvon alkuasetukseen.

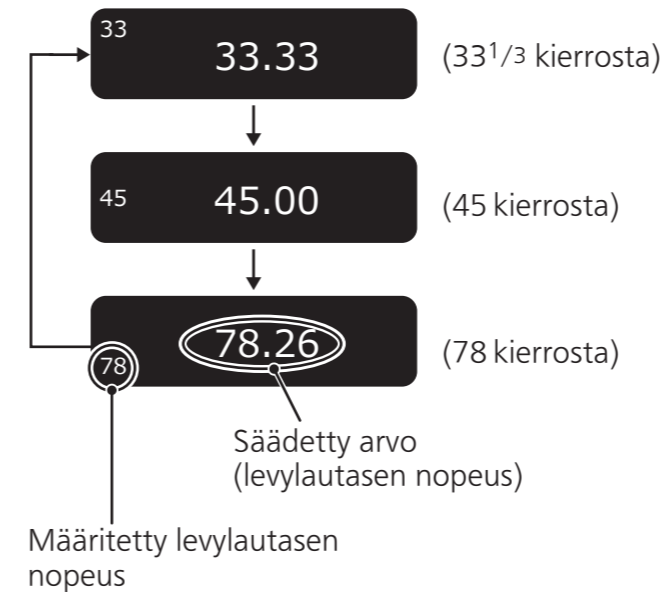
Ohjausyksikön toiminta ja näyttö

Levylautasen nopeuden asettaminen

1 Paina ohjausyksikön kohtaa [33/45/78].

Joka kerta kun painat kohtaa [33/45/78], levylautasen nopeus vaihtuu järjestyksessä "33" \rightarrow "45" \rightarrow "78" \rightarrow "33" \rightarrow ...

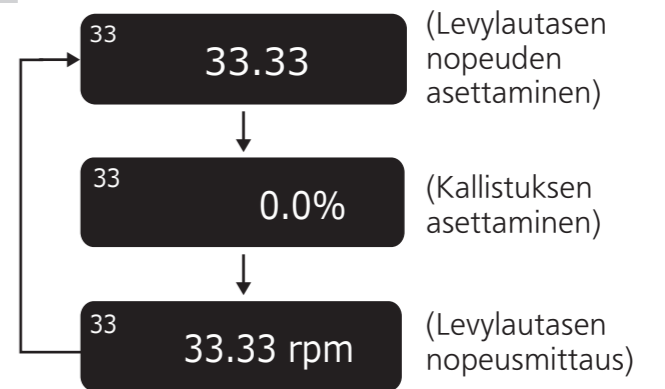
- Levylautasen nopeus vaihtuu joka kerta kun kallistus asetetaan levylautasen pyöriessä.



Näyttötilan vaihtaminen

1 Paina ohjausyksikön [DISPLAY]-painiketta.

Joka kerta kun [DISPLAY]-painiketta painetaan, näyttötila vaihtuu järjestyksessä "levylautasen nopeuden asettaminen" \rightarrow "kallistuksen asettaminen" \rightarrow "levylautasen nopeusmittaus" \rightarrow "levylautasen nopeuden asettaminen" \rightarrow ...



Levylautasen nopeusmittaus

Todellinen levylautasen nopeus voidaan mitata tässä näyttötilassa. Vaihda näyttötilaa (katso edellä) siirtyäksesi tähän tilaan.

- "rpm" ilmestyy numeerisen arvon jälkeen.
- "--.-- rpm" tulee näkyviin, kun levylautanen on pysähtynyt.



■ "Levylautasen nopeusmittauksen" aikainen toiminta

Alla olevien painikkeiden käyttäminen siirtää näytön tilaan "Levylautasen nopeuden asettaminen", jolloin voit tehdä asetuksia.

*Näyttötilaksi palaa "Levylautasen nopeusmittaus", ellei mitään toimintoa suoriteta kolmen sekunnin kuluessa.

- [-]/[+]: Kallistusta voi säätää. (\Rightarrow 20)
- [RESET]: Arvo palaa määrättyyn levylautasen nopeuteen välittömästi.
- [33/45/78]: Levylautasen nopeus muuttuu joka kerta kun painiketta painetaan.

Huomaa

- Keskimääräinen arvo tulee näkyviin.

Ohjausyksikön toiminta ja näyttö (jatkuu)

Näytön himmennysasetus

Näytön himmennin aktivoituu, ellei ohjausyksikköä käytetä 20 sekunnin kuluessa.
Himmennyskuvioita on neljä.

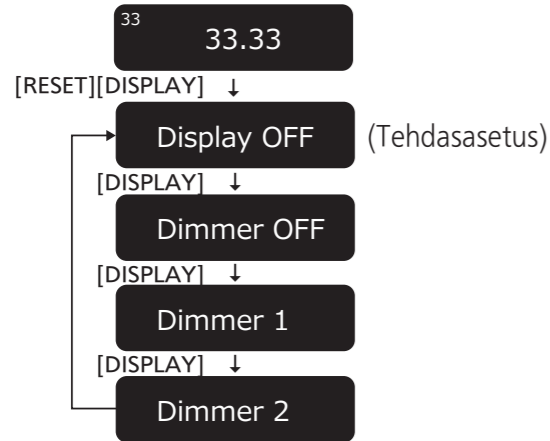
1 Pidä ohjausyksikön [RESET]-painiketta alhaalla ja paina [DISPLAY]-painiketta.

- Himmennysasetus tulee näkyviin.

2 Paina ohjausyksikön [DISPLAY]-painiketta.

Asetus muuttuu joka kerta kun [DISPLAY]-painiketta painetaan.

- Näyttö palaa alkuperäiseen näyttöön, ellei mitään toimintoa suoriteta kolmen sekunnin kuluessa.



Näyttö	Näytön himmennin, kun mitään toimintoa ei suoriteta 20 sekuntiin
Display OFF	Kirkkautta vähennetään yhdellä tasolla. ⇒ (Ei toimintaa viiden lisäsekunnin kuluessa) ⇒ Kirkkaus vähenee kahdella tasolla. ⇒ (Ei toimintaa viiden lisäsekunnin kuluessa) ⇒ Pois päältä
Dimmer OFF	Ei himmennystä (aina päällä)
Dimmer 1	Kirkkautta vähennetään yhdellä tasolla.
Dimmer 2	Kirkkautta vähennetään kahdella tasolla.

- Välittömästi asetuksen jälkeen kirkkaus säädetään asetettuun arvoon.
- Näyttö sammuu välittömästi, jos "Näyttö POIS PÄÄLTÄ" on valittu.
- Ohjausyksikön painikkeen (mikä tahansa muu kuin virtapainike) käyttö himmentimen ollessa aktiivinen palauttaa näytön täysin kirkkaaksi.

Huomaa

- Asetus tallennetaan. Kun virta kytketään päälle seuraavan kerran, virran edellisen poiskytkennän aikainen asetus palautuu.

Vääntömomentin säätäminen levylautasen pyörittämiseksi vakionopeudella

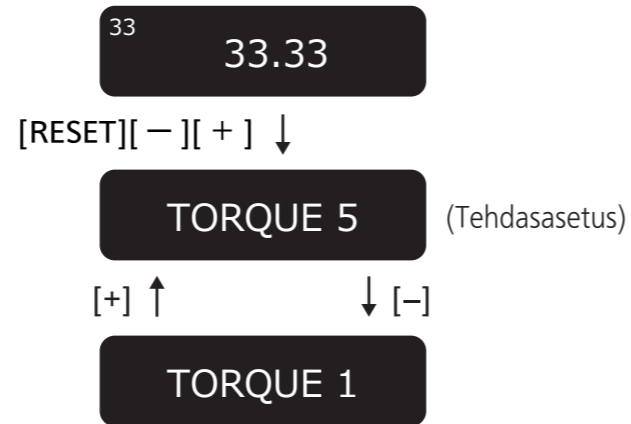
Paina painiketta [START • STOP] ja säädä sitten vääntömomenttia (pyörimisvoima) viidessä tasossa, jotta levylautanen pyörisi vakionopeudella.

1 Pidä ohjausyksikön [RESET]-painiketta alhaalla ja paina painikkeita [-] ja [+] samanaikaisesti.

- Vääntömomentin asetus tulee näkyviin.

2 Säädä painamalla ohjausyksikön painikkeita [-] tai [+].

- Valitse jokin viidestä vääntömomentin tasosta "TORQUE1"–"TORQUE5". Painikkeen painaminen suurentaa tai pienentää arvoa.
- Käytä alla olevaa taulukkoa oppaana.
- Näyttö palaa alkuperäiseen näyttöön, ellei mitään toimintoa suoriteta kolmen sekunnin kuluessa.



Näyttö	Väännä momenttiin, jotta levylautanen pyörisi vakionopeudella.
TORQUE5	Maksimi (Tehdasasetus)
TORQUE4	↑ ↓
TORQUE3	
TORQUE2	
TORQUE1	Minimi

Huomaa

- Asetus tallennetaan. Kun virta kytketään päälle seuraavan kerran, virran edellisen poiskytkennän aikainen asetus palautuu.

Huolto

■ Rungon puhdistaminen

Pyyhi runko ja muut osat kuivalla pehmeällä liinalla.

Kun likaa on runsaasti, väännä märkää liinaa voimakkaasti pyyhkiäksesi lian ja sen jälkeen pyyhi pehmeällä liinalla.

- Älä käytä liuottimia, kuten bensiiniä, tinneriä, alkoholia, keittiöpesuainetta, kemiallista pyyhintä jne. Tämä saattaa muuttaa ulkokuoren muotoa tai irrottaa pinnoitetta.

■ Laitteen siirtäminen

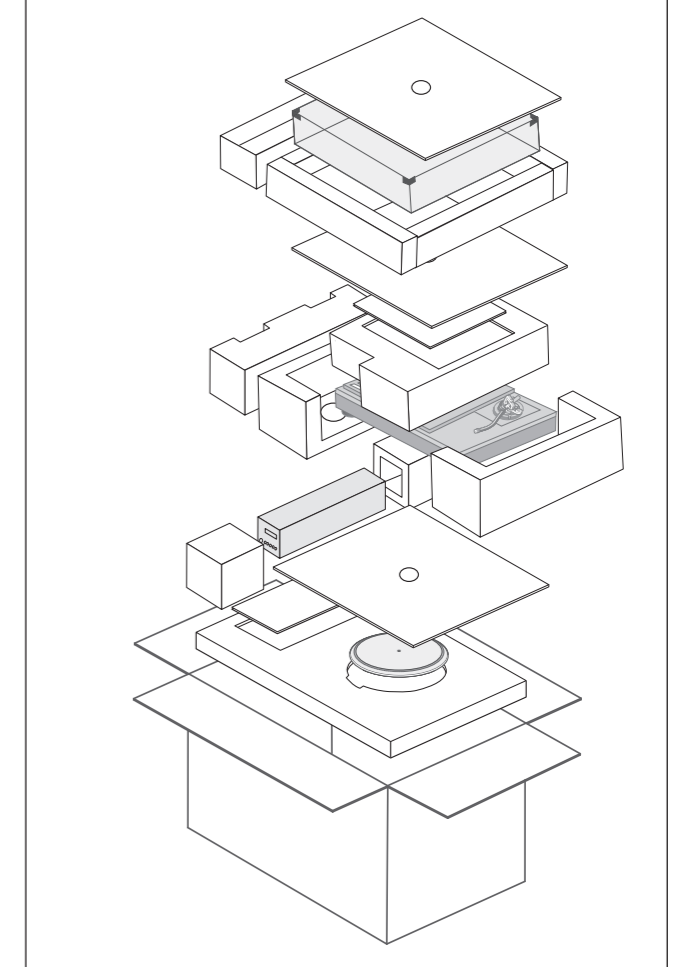
Pakkaa laite uudelleen pakkaukseen, jossa se tuli. (⇒ 12)

Säilytä pakkausmateriaalit myöhempää käyttöä varten.

Jos sinulla ei enää ole pakkausta, toimi seuraavasti:

- Ota levylautanen ja levysoittimen matto pois ja kääri ne huolellisesti.
- Kääri pääyksikkö huolellisesti peittoon tai paperiin.

Pakkaaminen uudelleen



■ WEEE-symboli

Tuotteen hävittäminen EU-maiden ulkopuolella

- Tämä symboli on voimassa vain EU:ssa.
- Ota yhteyttä valtion virastoon tai jälleenmyyjään varmistaaksesi oikean hävittämistavan.

Vianmääritysopas

Vianmääritys ennen huoltopyyntöä, tee alla olevat tarkastukset. Jos olet epävarma joistakin tarkastuskohdista tai jos kaaviossa osoitetut korjaustoimenpiteet eivät ratkaise ongelmaa, ota yhteyttä jälleenmyyjäsi.

Ei virtaa.

- Onko verkkovirtajohto kytketty pistorasiaan?
→ Kytke johto kunnolla pistorasiaan. (⇒ 16)
- Onko ohjausyksikkö liitetty runkoon?
→ Työnnä ohjausyksikön liitäntäjohtoa, kunnes se napsahtaa. (⇒ 16)

Ohjausyksikön näytössä ei ole lukemaa.

- Onko virtapistoke kytketty?
→ Aseta se tiukasti. (⇒ 16)
- Onko virta päällä?
→ Paina virtapainiketta virran kytkemiseksi päälle. (⇒ 18)
- Onko näytön himmennin aktivoitu?
→ Käytä ohjausyksikön painiketta (mikä tahansa muu kuin virtapainike). (⇒ 22)

■ Virhekoodi

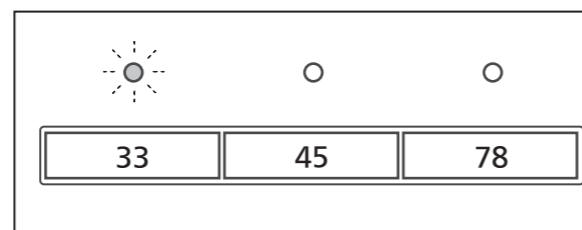
Virhetapahtuma ilmoitetaan tarpeen mukaan ohjausyksikön näytöllä ja rungossa olevan nopeuden valintapainikkeen merkkivaloilla.

Ohjausyksikön näyttö	Mittaus
Unconnected	Tarkista, että ohjausyksikkö on liitetty runkoon. (⇒ 16)
F58 F76 F17	Ota yhteyttä jälleenmyyjään. <ul style="list-style-type: none">• Yksi rungon [33/45/78]-nopeuden valintapainikkeen merkkivaloista vilkkuu (nopeasti tai hitaasti) oranssina.• Kerro näytössä näkyvä numero ja LED-valon vilkkumistilanne konsultoinnin aikana.

(Esimerkki ohjausyksikön näytöstä virheen sattuessa)

Unconnected

(Esimerkki rungossa olevan nopeuden valintapainikkeen merkkivaloista virheen sattuessa)
Vilkkuu oranssina.



Tekniset tiedot

Yleinen	
Virtalähde	110 - 240 VAC, 50/60 Hz
Virrankulutus	10 W (virta PÄÄLLÄ) 0,05 W (virta POIS PÄÄLTÄ)
Mitat (L×K×S)	<Ohjausyksikkö> 110×84×350 mm <Runko> 365×109×365 mm
Massa	<Ohjausyksikkö> Noin 2,1 kg <Runko> Noin 18,2 kg
Käyttölämpötila	0 – 40 °C
Ilmankosteus	35 % – 80 % RH (ilman tiivistymistä)
Levylautasen osuus	
Ohjausmenetelmä	Suoraveto
Moottori	Harjaton tasavirtamoottori
Levylautanen	Messinkinen ja alumiininen painevaluyhdistelmä Halkaisija: 323 mm Massa: Noin 7,9 kg (sisältää levylautasen suojalevyn)
Levylautasen nopeudet	33-1/3, 45 ja 78* rpm
Muuttuva pitch-alue	±16 %
Käynnistysvääntömomentti	0,39 N·m (4,0 kg-cm)
Jarrutusjärjestelmä	Elektroninen jarru
Huojunta ja värinä	0,015 % W.R.M.S. (JIS C5521)
Liitäntäosio	
Lähtöliitäntä	Maadoitusliitäntä

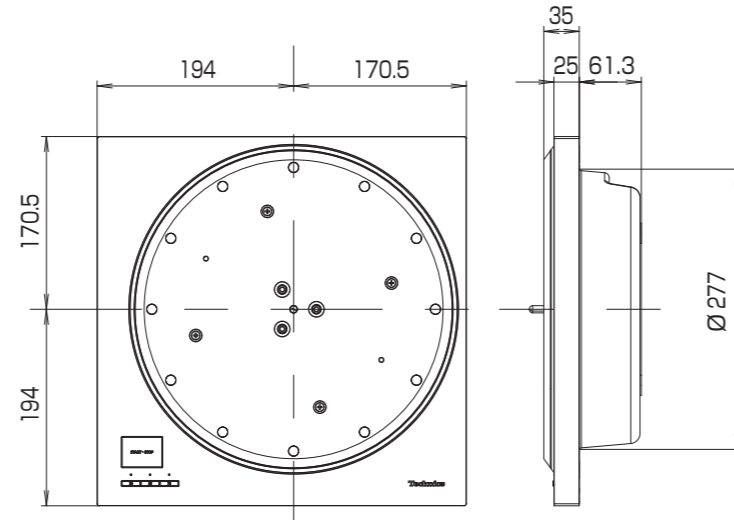
Tekniset tiedot voivat muuttua ilman erillistä ilmoitusta.

*Levylautasen nopeus on 78,26 rpm, kun se asetetaan arvoon 78 rpm (kallistuksen säätö 0,0 %).

Mittapiirustukset

■ Ulkomitat

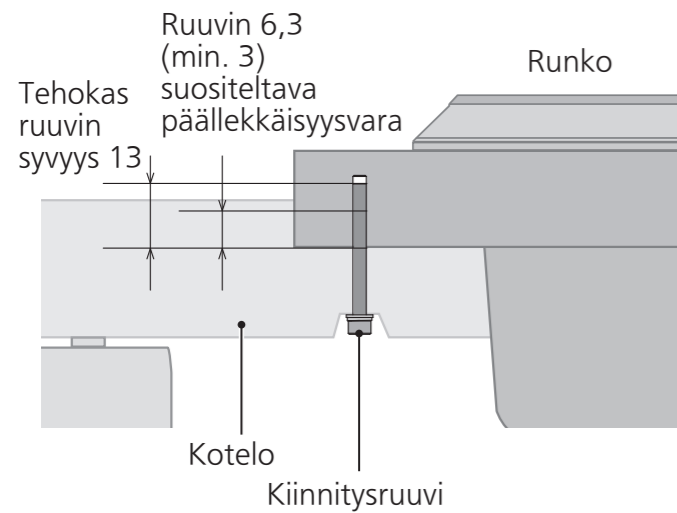
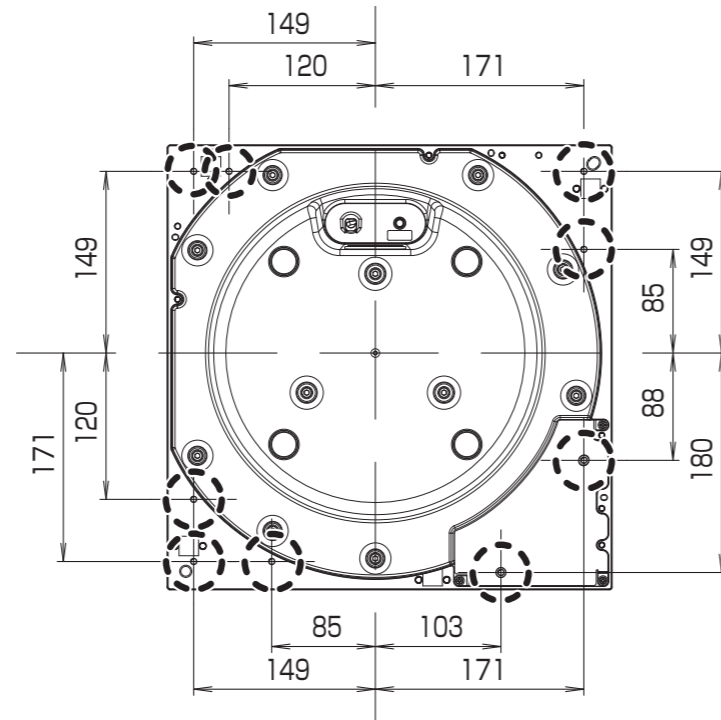
Valitse kotelo, joka sopii soittimen ulkomittoihin.
<Yksikkö: mm>



■ Kotelon kiinnittämiseen tarkoitettujen ruuvien paikat

Kiinnitä soitin koteloon yhdeksästä kohdasta (merkitty katkoviivalla), jotka näkyvät oikeanpuoleisessa kuvassa (runkon pohjapinta).
<Yksikkö: mm>

- Kiinnitysruuvi: M5
Katso alla olevaa leikkauskuvaa, kun valitset kiinnitysruuvien pituutta.



Wprowadzenie

Dziękujemy za zakupienie tego produktu.

Przed użyciem tego produktu należy dokładnie zapoznać się z niniejszą instrukcją i zachować ją do wykorzystania w przyszłości.

- O opisach zamieszczonych w tej instrukcji obsługi
 - Przywoływane strony oznaczone są „(⇒ 00)”.
 - Ilustracje mogą przedstawiać urządzenie różniące się wyglądem od urządzenia zakupionego.

Funkcje

Bezrdzeniowy silnik z napędem bezpośrednim zapewnia płynne i dokładne obroty

- Nowy bezrdzeniowy silnik z napędem bezpośrednim może zredukować drobne drgania podczas obracania się, zapewniając silny moment obrotowy do napędzania wysokiej klasy talerza obrotowego.
- Technologia sterowania silnikiem o wysokiej precyzji zmienia tryb pracy napędu zgodnie ze stanem pracy silnika, aby osiągnąć wysoką dokładność obrotów.

Trójwarstwowy talerz obrotowy dla stabilnych obrotów

- Trójwarstwowa konstrukcja talerza obrotowego składa się z mosiądzu, odlewane ciśnieniowo aluminium i gumy tłumiącej, która przeciwdziała niepożądanemu rezonansowi i jest przymocowana do dolnej powierzchni.
- Ciężarki wolframowe o dużej gęstości znajdują się na zewnętrznym obrzeżu mosiężnej części, aby zapewniać duży moment bezwładności.

Specjalna jednostka sterująca, która może wyeliminować niepożądane zakłócenia szumowe z jednostki głównej

- Obwód zasilania i obwód sterujący są rozdzielone, aby zminimalizować niepożądane zewnętrzne zakłócenia szumowe z jednostki głównej i mieszczą się w pojedynczej jednostce sterującej.
- Nowy zasilacz impulsowy z układem redukcji szumów został opracowany w celu zmniejszenia szumów w zasilaniu napięciowym.

Kompatybilność z SP-10MK2 i SP-10MK3

- Odtwarzacz zachowuje kształt dolnej części i lokalizację wkrętów jak w SP-10MK2 i SP-10MK3, dzięki czemu można nadal użytkować posiadaną obudowę i ramię.

Spis treści

● Przed użyciem

Zalecenia dotyczące bezpieczeństwa.....	06	Przed użyciem
Akcesoria	09	
Nazwa części	10	

● Pierwsze kroki

Rozpakowanie i przygotowanie.....	12	Pierwsze kroki
● Uwagi do wyjmowania towarów z pudełka opakowania i transportowania.....	12	
Montaż gramofonu	13	
● Przed złożeniem w całość odtwarzacza (dotyczy obudowy i ramienia).....	13	
● Montaż do obudowy	13	
● Osadzanie talerza obrotowego	15	
● Osadzenie maty talerza.....	15	
Połączenia i montaż	16	
● Podłączanie jednostki sterującej / Podłączanie wtyczki zasilania i uziemienia.....	16	
● Instalacja	17	

● Odtwarzanie

Odtwarzanie płyt	18	Odtwarzanie
Kontrola wysokości dźwięku (regulacja precyzyjna do wysokości).....	20	
Obsługa i wyświetlacz jednostki sterującej	21	
● Ustawienie prędkości talerza obrotowego.....	21	
● Przełączanie trybu wyświetlania.....	21	
● Pomiar prędkości obrotowej talerza	21	
● Ustawienie ściemniacza wyświetlacza.....	22	
● Regulowanie momentu obrotowego, aby obracać talerz obrotowy ze stałą prędkością.....	22	

● Konserwacja

Konserwacja.....	23	Konserwacja
Usuwanie usterek.....	24	
Dane techniczne	25	
Rysunki wymiarowe	26	

Zalecenia dotyczące bezpieczeństwa

OSTRZEŻENIE

Urządzenie

- Aby ograniczyć niebezpieczeństwo pożaru, porażenia prądem lub uszkodzenia urządzenia,
 - Nie należy wystawiać urządzenia na działanie deszczu, wilgoci, kapanie lub zachlapanie.
 - Na urządzeniu nie należy ustawiać żadnych naczyń zawierających płyny, takich jak wazon.
 - Należy korzystać wyłącznie z zalecanych akcesoriów.
 - Nie należy demontować obudowy urządzenia.
 - Nie należy podejmować prób samodzielnej naprawy. Naprawę urządzenia należy zlecić wykwalifikowanemu pracownikowi serwisu.
 - Należy uważać, aby do wnętrza urządzenia nie dostały się metalowe przedmioty.
 - Na urządzeniu nie wolno umieszczać żadnych ciężkich przedmiotów.

Przewód zasilania

- Aby ograniczyć niebezpieczeństwo pożaru, porażenia prądem lub uszkodzenia urządzenia,
 - Należy się upewnić, że napięcie źródła zasilania odpowiada napięciu podanemu na urządzeniu.
 - Dokładnie podłączyć wtyczkę przewodu zasilającego do gniazda ściennego.
 - Nie wolno ciągnąć za przewód, zginać go ani kłaść na nim ciężkich przedmiotów.
 - Nie wolno dotykać wtyczki mokrymi rękami.
 - Przy odłączaniu przewodu należy chwycić za wtyczkę.
 - Nie wolno podłączać urządzenia do uszkodzonego gniazda ściennego oraz gdy wtyczka przewodu zasilającego jest uszkodzona.
- Wtyczka zasilania umożliwia odłączenie urządzenia. Zainstaluj to urządzenie w taki sposób, aby możliwe było natychmiastowe odłączenie wtyczki zasilania od gniazda zasilania.
- Sprawdzić, czy bolec uziemiający wtyku jest bezpiecznie połączony z przewodem instalacji uziemienia, aby zapobiec porażeniu prądem.
 - Urządzenie konstrukcji CLASS I powinno być podłączone do gniazda sieciowego z uziemieniem ochronnym.

UWAGA

Urządzenie

- Nie należy umieszczać na urządzeniu źródeł otwartego ognia, takich jak zapalone świece.
- To urządzenie może odbierać zakłócenia wywołane użyciem telefonu komórkowego. Jeżeli takie zakłócenia wystąpią, wskazane jest zwiększenie odległości pomiędzy urządzeniem a telefonem komórkowym.
- Urządzenie przeznaczone jest do użytku w klimacie umiarkowanym i tropikalnym.
- Nie umieszczać żadnych przedmiotów na urządzeniu.
 - To urządzenie nagrzewa się, gdy jest włączone.
- Wyjmowanie i transportowanie jednostki głównej zawsze powinno być wykonywane co najmniej przez dwie osoby.
- Przy składaniu odtwarzacza w całość należy uważać, by nie doszło do uwięzienia rąk i/lub palców w zespole talerza obrotowego.

Wybór miejsca

- Urządzenie należy ustawić na równej powierzchni.
- Aby ograniczyć niebezpieczeństwo pożaru, porażenia prądem lub uszkodzenia urządzenia,
 - Niniejszego urządzenia nie należy instalować lub umieszczać w szafce na książki, zabudowanej szafce lub innej ograniczonej przestrzeni, w celu zapewnienia dobrej wentylacji.
 - Nie należy zasłaniać otworów wentylacyjnych urządzenia gazetami, obrusami, zasłonami i podobnymi przedmiotami.
 - Urządzenie należy chronić przed bezpośrednim działaniem promieni słonecznych, wysoką temperaturą, wysoką wilgotnością oraz nadmiernymi drganiami.
- Upewnić się, że powierzchnia, na której stoi urządzenie jest wystarczająco wytrzymała, aby przenieść jego ciężar (⇒ 31).
- Nie podnosić ani przenosić urządzenia trzymając za jego pokrętła. Może to prowadzić do upadku urządzenia, skutkującego obrażeniami fizycznymi lub nieprawidłową pracą produktu.



Pozbywanie się zużytych urządzeń elektrycznych i elektronicznych.
Dotyczy wyłącznie obszaru Unii Europejskiej oraz krajów posiadających systemy zbiórki i recyklingu.

Niniejsze symbole umieszczane na produktach, opakowaniach i/lub w dokumentacji towarzyszącej oznaczają, że nie wolno mieszać zużytych urządzeń elektrycznych i elektronicznych z innymi odpadami domowymi/komunalnymi.

W celu zapewnienia właściwego przetwarzania, utylizacji oraz recyklingu zużytych urządzeń elektrycznych i elektronicznych, należy oddawać je do wyznaczonych punktów gromadzenia odpadów zgodnie z przepisami prawa krajowego.

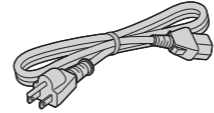
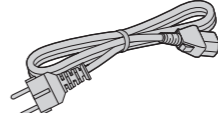
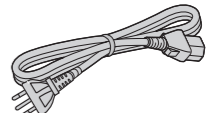
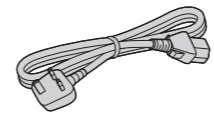
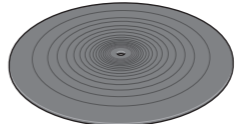


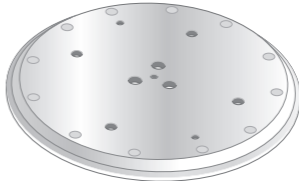
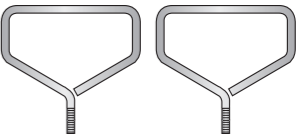
Poprzez prawidłowe pozbywanie się zużytych urządzeń elektrycznych i elektronicznych pomagasz oszczędzać cenne zasoby naturalne oraz zapobiegać potencjalnemu negatywnemu wpływowi na zdrowie człowieka oraz na stan środowiska naturalnego.

W celu uzyskania informacji o zbiórce oraz recyklingu zużytych urządzeń elektrycznych i elektronicznych prosimy o kontakt z władzami lokalnymi.

Za niewłaściwe pozbywanie się tych odpadów mogą grozić kary przewidziane przepisami prawa krajowego.

Akcesoria

W celu ochrony przed uszkodzeniem podczas transportu, niektóre części zostały zdemontowane. Prosimy o sprawdzenie i zidentyfikowanie wyposażenia urządzenia.

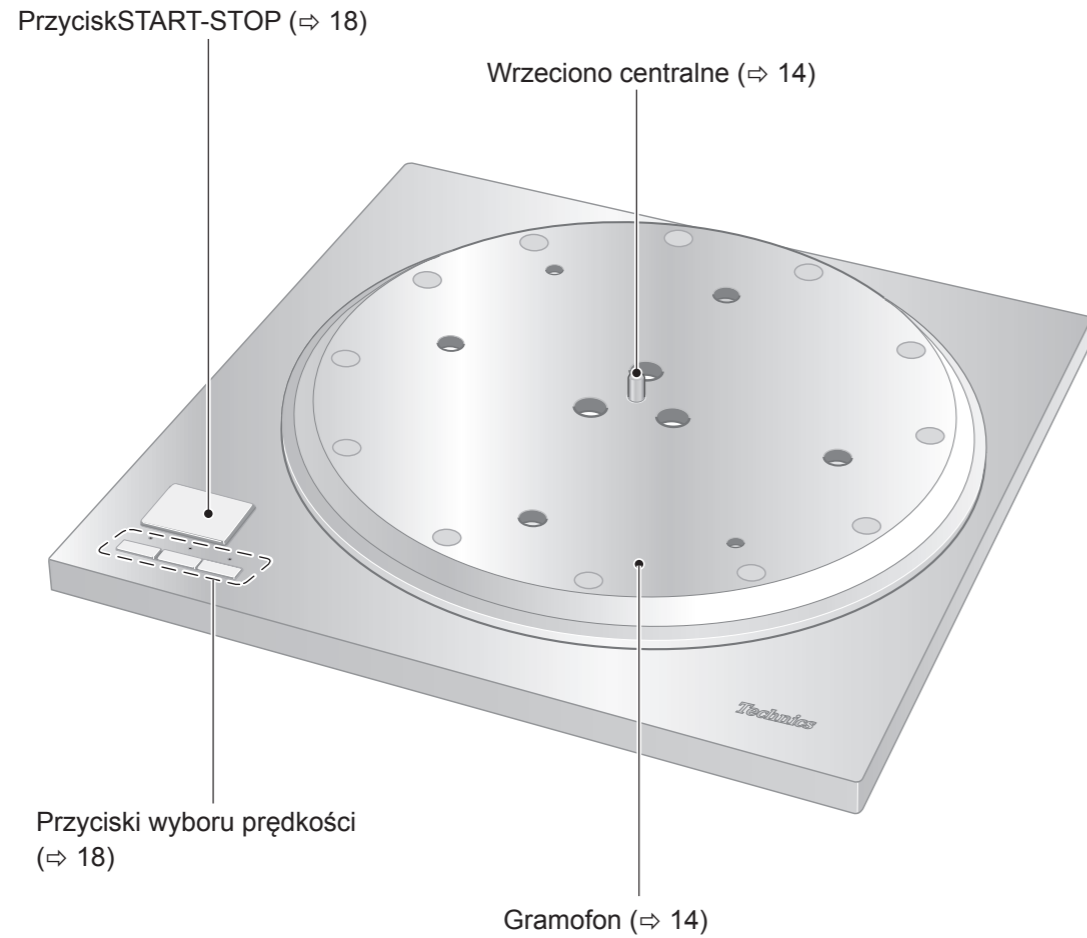
<p>Przewód zasilający sieci AC (1 szt.) (K2CG3YY00191)</p> 	<p>Przewód zasilający sieci AC (1 szt.) (K2CM3YY00041)</p> 	<p>Przewód zasilający sieci AC (1 szt.) (K2CS3YY00033)</p> 
<p>Przewód zasilający sieci AC (1 szt.) (K2CT3YY00081)</p> 	<p>Mata talerza gramofonu (1 szt.) (RGS0008)</p> 	<p>Adapter dla płyty EP (1 szt.) (TEKX077)</p> 
<p>Zestaw śrub talerza obrotowego (1 zestaw) (TYL0194)</p> <ul style="list-style-type: none"> ● Śruby długie (3 szt.) ● Podkładki (3 szt.) ● Sprężyny talerzowe (3 szt.) 	<p>Gramofon (1 szt.) (TYL0195)</p> 	<p>Odłączany uchwyt (2 szt.) (TXQ0020)</p> 

- Numery modeli akcesoriów pochodzą z lutego 2018 r.
Producent zastrzega sobie możliwość wprowadzenia zmian bez uprzedzenia.
- Zachować opakowania po wyjęciu towaru.
Będą niezbędne podczas przenoszenia produktu na duże odległości.
- Przestrzegać lokalnych przepisów utylizacji produktu.
- Należy używać wyłącznie przewodu zasilania prądu przemiennego dostarczonego wraz z urządzeniem.
- Pomocniczy ciężarek, wkręty i podkładki przechowywać poza zasięgiem dzieci, by nie dopuścić do ich połknięcia.

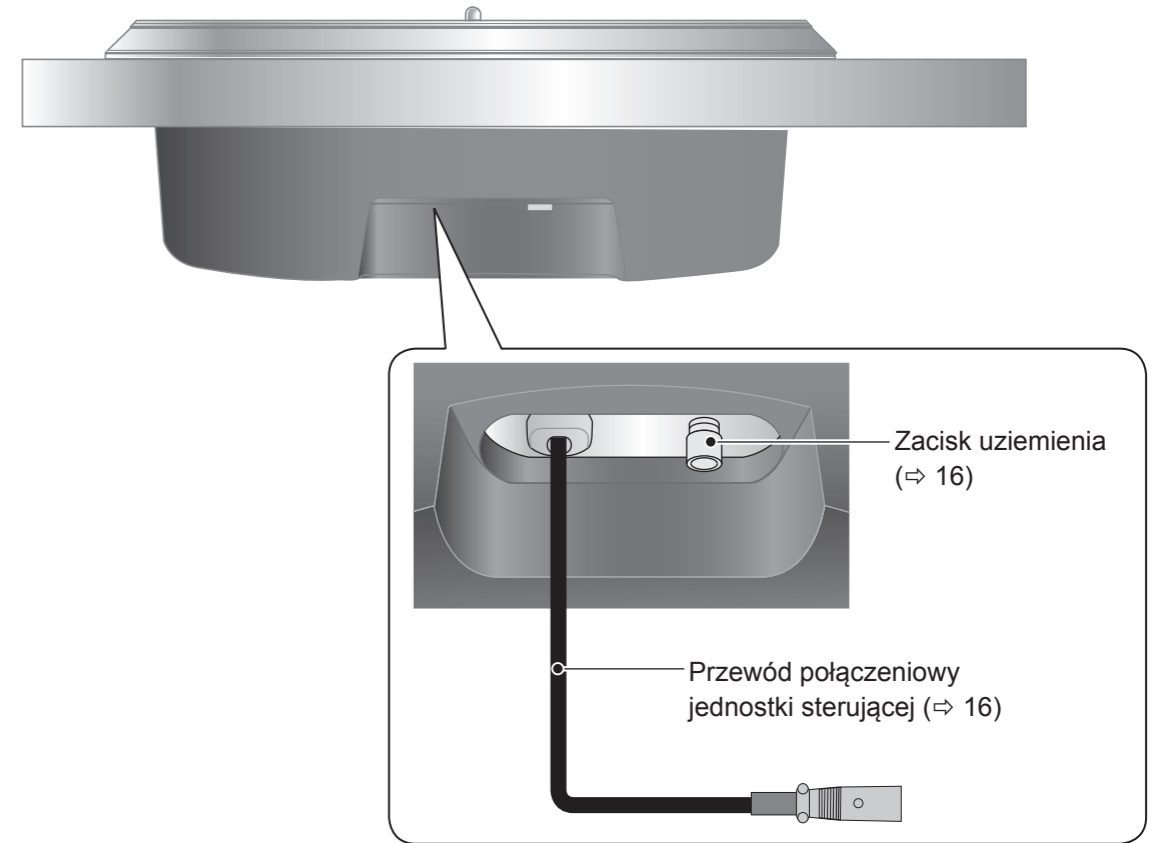
Nazwa części

Numery takie jak (⇒ 00) wskazują strony odniesienia.

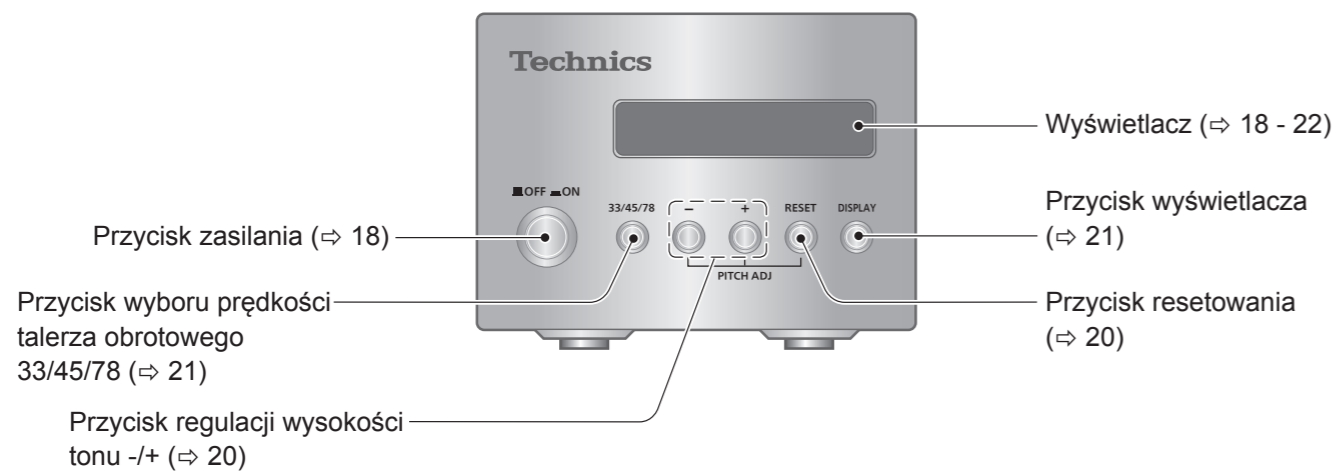
Jednostka główna (przód)



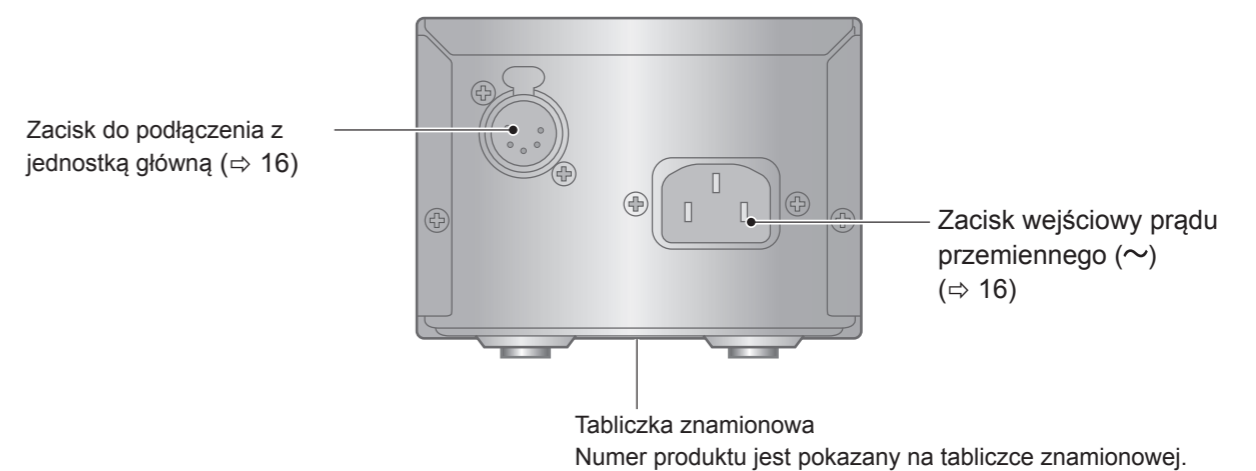
Jednostka główna (tył)



Jednostka sterująca (przód)



Jednostka sterująca (tył)



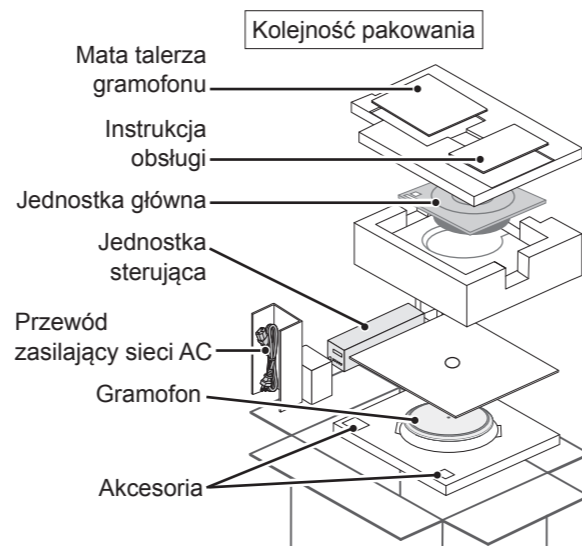
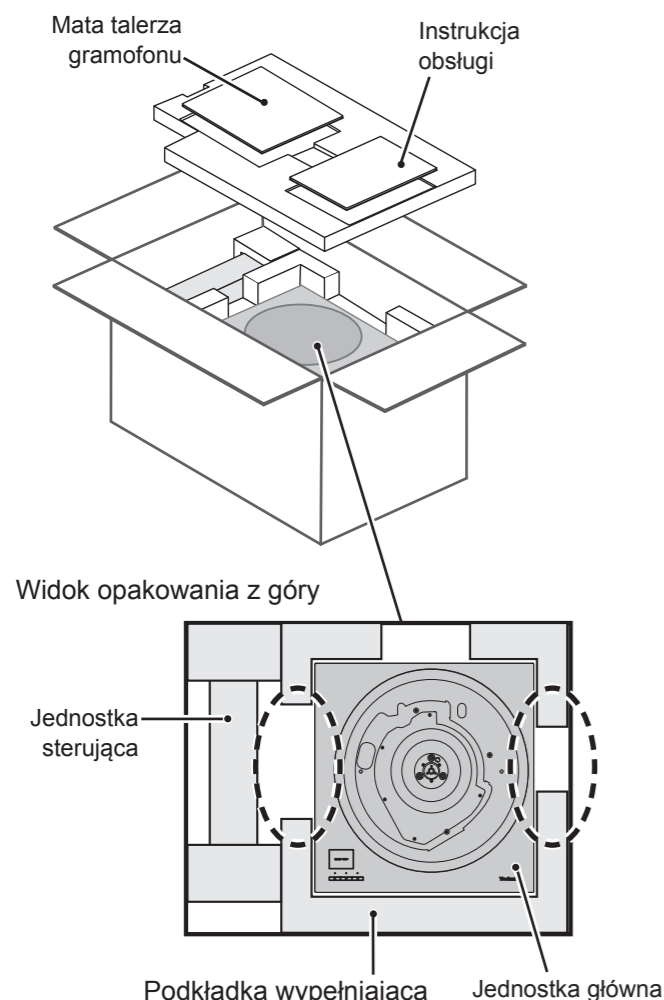
Rozpakowanie i przygotowanie

Uwagi do wyjmowania towarów z pudełka opakowania i transportowania

Uwaga

- Wyjmowanie i transportowanie jednostki głównej zawsze powinno być wykonywane co najmniej przez dwie osoby.
- Uważać, aby nie stracić równowagi przy podnoszeniu jednostki rękoma w nieoptymalnej pozycji.
 - Można doprowadzić do kontuzji pleców.
 - Może dojść do utraty równowagi na schodach, itp., co może doprowadzić do odniesienia obrażeń ciała.
- Zachować ostrożność, aby nie zacisnąć sobie palców podczas wyjmowania jednostki głównej.
- Zachować ostrożność, aby nie zacisnąć sobie palców w szczelinie między spodem jednostki głównej, a podłogą.
- Zachować opakowania po wyjęciu towaru.
- Wyjąć towary dopiero po podjęciu decyzji o miejscu zamontowania.
- Aby zapoznać się z uwagami dotyczącymi zamontowania, patrz „Instalacja” (⇒ 17).

- ① Zdjąć arkusz z talerza obrotowego i wyjąć instrukcję obsługi.
 - Akcesoria należy przechowywać poza zasięgiem dzieci.
 - Główna jednostka i jednostka sterująca są owinięte w materiał zabezpieczający.

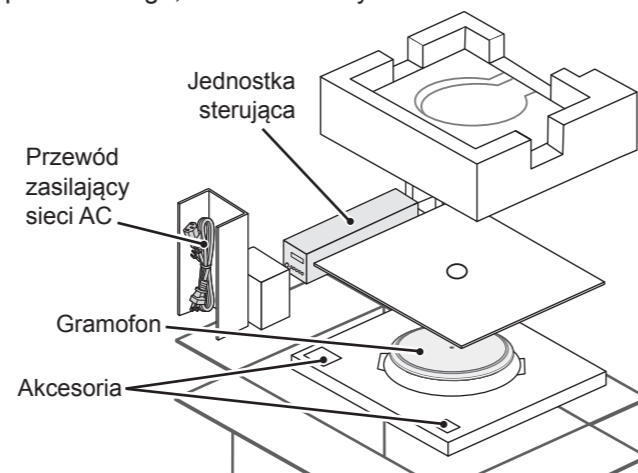


- ② Umieścić ręce pomiędzy poduszkami wypełnienia (linia przerywana w widoku opakowania z góry) i powoli podnieść jednostkę główną, aby ją wyjąć. Należy wykonywać to zadanie, korzystając zawsze z pomocy co najmniej jednej osoby.
 - Zachować szczególną ostrożność podczas podnoszenia jednostki głównej.
 - Przytrzymać jednostkę główną od dołu, aby zapobiec jej wysłiznięciu się z rąk.
 - Wykonać zadanie, posługując się obiema rękami, aby nie stracić równowagi.



Ilustracja czynności podnoszenia

- ③ Wyjąć jednostkę sterującą, przewód zasilacza prądu przemiennego, talerz obrotowy i inne akcesoria.



Montaż gramofonu

Przed złożeniem w całość odtwarzacza (dotyczy obudowy i ramienia)

■ Odnośnie do obudowy

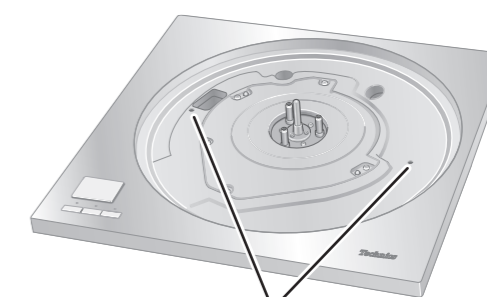
- Ten odtwarzacz zachowuje kształt dolnej części i lokalizację wkrętów jak w modelach SP-10MK2 i SP-10MK3, dzięki czemu można nadal korzystać z obudowy i ramienia dla systemu wykorzystującego SP-10MK2 lub SP-10MK3.
- Ten odtwarzacz jest modelem o dużym początkowym momencie obrotowym. Aby w pełni wykorzystać jego charakterystykę i sprawność, użyć ciężkiej obudowy wykonanej z grubego materiału.
- Wybierając obudowę, dobrać jej wymiary zewnętrzne w oparciu o efektywną długość posiadanego ramienia gramofonu.
- Użyć solidnych i wytrzymałych izolatorów drgań, aby podeprzeć obudowę.
- Wymiary montażowe odtwarzacza (⇒26)

■ Odnośnie do montażu ramienia gramofonu

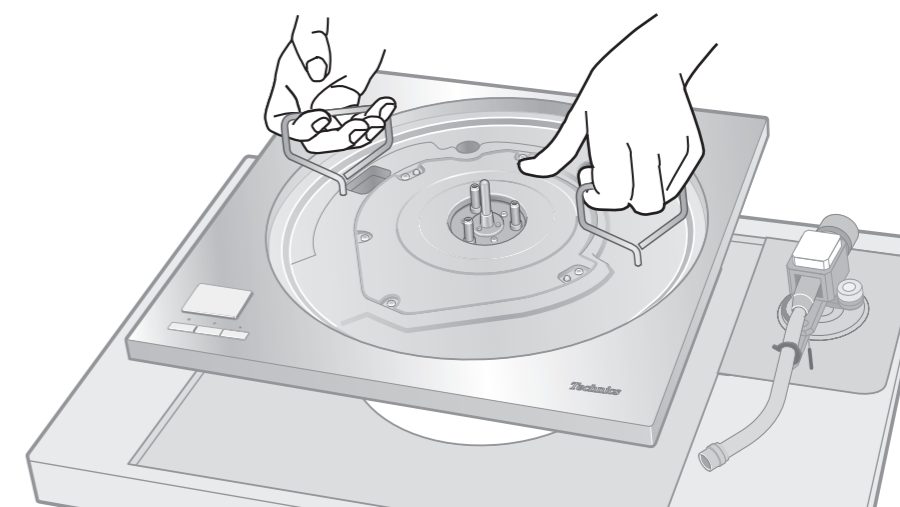
- Użyć podstawy ramienia gramofonu, sprzedawanej oddzielnie. Aby uzyskać szczegóły, takie jak sposób montażu, postępować zgodnie z instrukcją obsługi podstawy ramienia i broszurą opisu ramienia gramofonu.

Montaż do obudowy

- 1 **Dokręcić wkręty odłączanego uchwytu w otworach montażowych odłączanego uchwytu (dwa miejsca) na jednostce głównej.**
- 2 **Powoli podnieść jednostkę główną i umieścić ją na obudowie.**
- 3 **Przymocować jednostkę główną do obudowy za pomocą wkrętów.**
 - Montować zgodnie z instrukcją obsługi obudowy.



Otwór montażowy odłączanego uchwytu

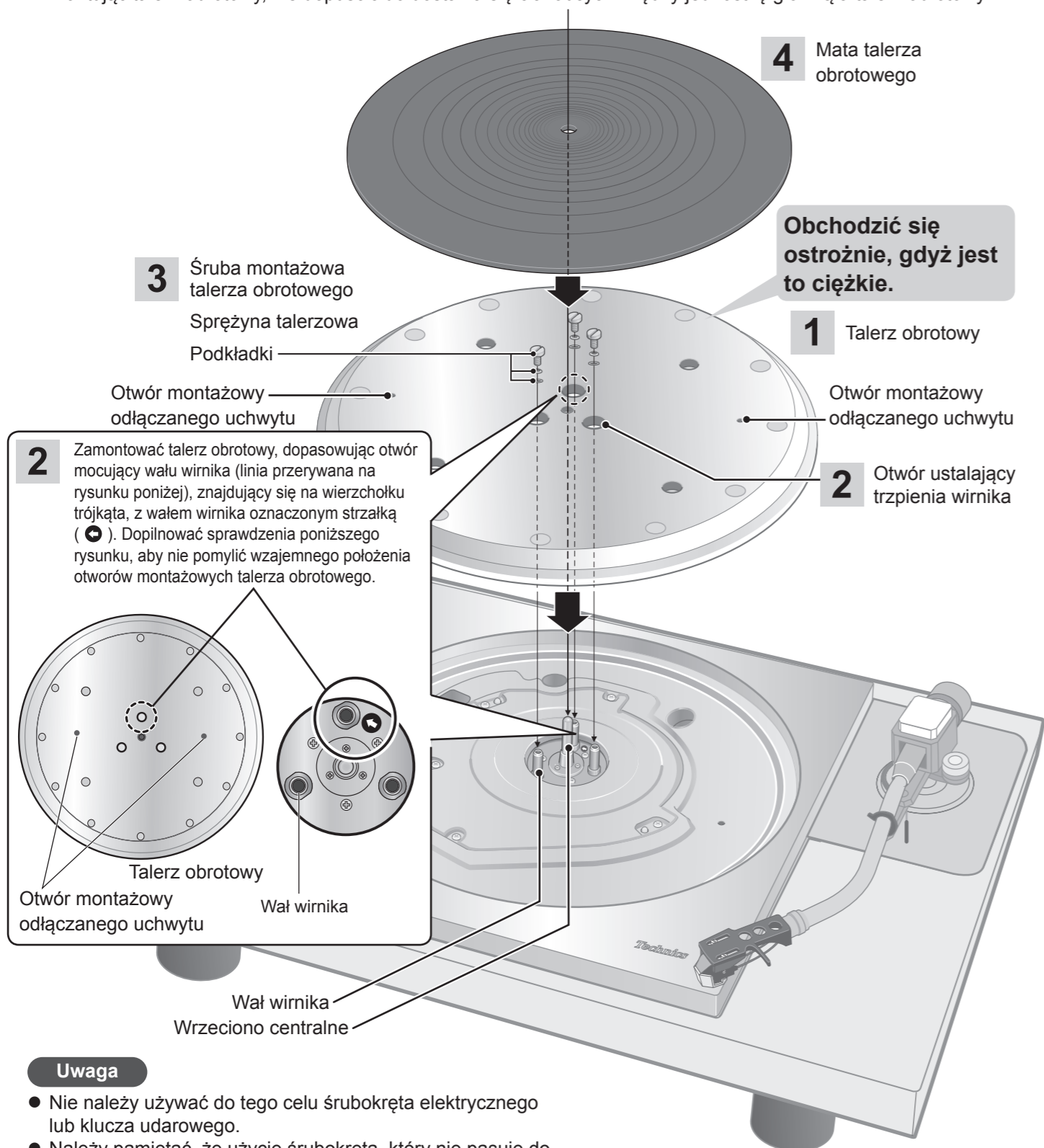


Montaż gramofonu (jatkuu)

W celu ochrony przed uszkodzeniem podczas transportu, niektóre części zostały zdemontowane. Złóż gramofon w następującej kolejności.

Uwaga

- Do chwili zakończenia procedury montażu nie podłączać przewodu zasilającego do urządzenia.
- Montując talerz obrotowy, nie dopuścić do dostania się ciał obcych między jednostkę główną a talerz obrotowy.



Uwaga

- Nie należy używać do tego celu śrubokręta elektrycznego lub klucza udarowego.
- Należy pamiętać, że użycie śrubokręta, który nie pasuje do śrub do montażu talerza może uszkodzić jednostkę główną.

Osadzanie talerza obrotowego

1



Dokręcić wkręty odłączanego uchwyty w otworach montażowych odłączanego uchwyty (dwa miejsca) na talerzu obrotowym.

Powoli podnieść talerz obrotowy, a następnie opuścić go w taki sposób, aby umieścić wrzeciono środkowe w otworze znajdującym się w środku talerza obrotowego.

Uwaga

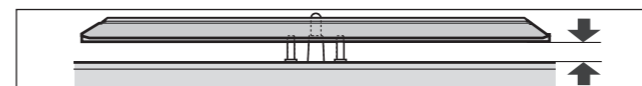
- Dokręcić odłączany uchwyt, obracając go 5 lub więcej razy. Jeżeli został on dokręcony do końca, poluzować go nieco. Nie dokręcać go ściśle..
- Zachować ostrożność podczas obchodzenia się z talerzem, ponieważ jest ciężki.
- Zetrzeć odciski palców lub kurz miękką szmatką.

2 Powoli opuść talerz jednocześnie zestrzając położenie otworów ustalających (trzy punkty) z trzpieniami wirnika.

- Zamontować za pomocą wałka wirnika ze znakiem strzałki jako prowadzącym. (⇒ 14)

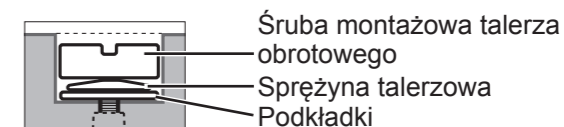
Uwaga

- W przypadku braku zestrojenia trzpieni wirnika, pomiędzy korpusem urządzenia i talerzem obrotowym pozostawać będzie szczelina, uniemożliwiająca prawidłowe osadzenie talerza. Nie wywierać nacisku na talerz gramofonu.



3

Umieścić podkładki, sprężyny talerzowe i śruby talerza obrotowego w otworach trzpieni wału i dokładnie dokręcić śruby mocujące.



Uwaga

- Podczas dokręcania śrub, nie dopuścić, aby łby śrub wystawały powyżej poziomu górnej powierzchni talerza obrotowego.
- Dokręcić równomiernie trzy wkręty. Nieprzeostrożenie tego może spowodować hałaśliwe lub niestabilne obroty talerza obrotowego. Upewnić się, że żaden spośród wkrętów nie jest poluzowany.

Procedura zdejmowania talerza obrotowego

- 1 Poluzować śruby mocujące talerz i wykręcić je. -Przechowywać śruby, sprężyny talerzowe i podkładki w bezpiecznym miejscu.
- 2 Dokręcić wkręty odłączanego uchwyty w otworach montażowych odłączanego uchwyty (dwa miejsca) na talerzu obrotowym i powoli unieść talerz obrotowy prosto w górę.

Osadzenie maty talerza

4

Ułożyć matę na talerzu obrotowym.

Połączenia i montaż

- Wyłączyć wszystkie urządzenia i odłączyć przewód zasilający z gniazda przed wykonaniem jakichkolwiek połączeń.
- Podłączyć przewód zasilający wyłącznie po wykonaniu wszystkich innych połączeń.
- Zapoznać się także z instrukcją obsługi podłączanych urządzeń.

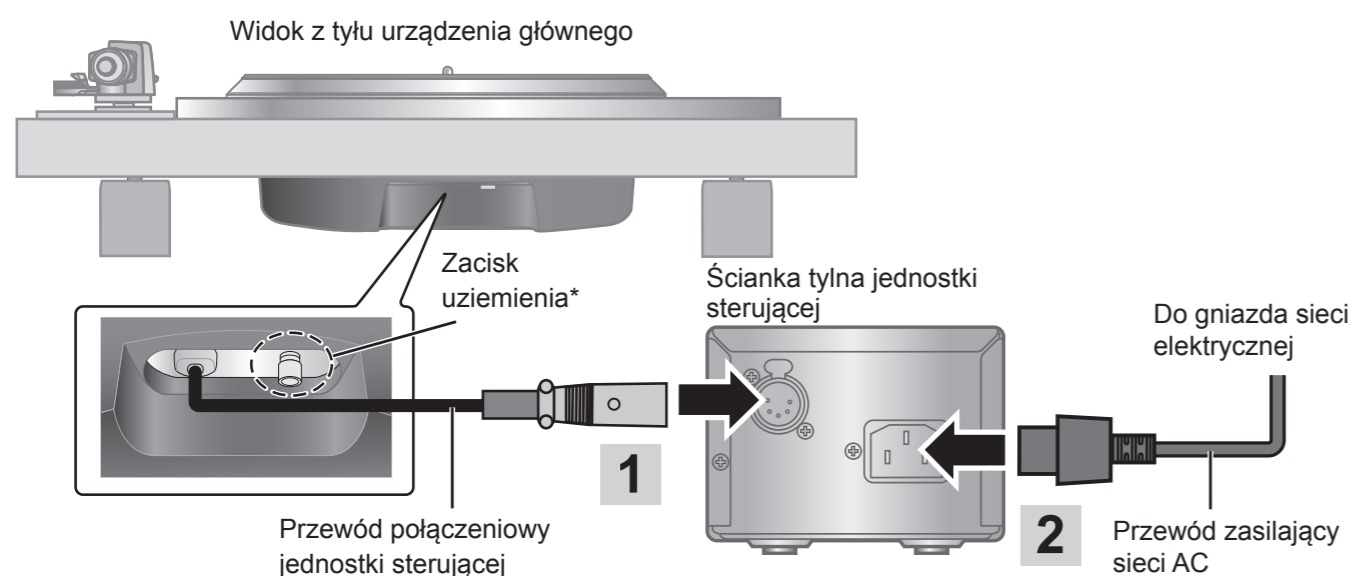
Podłączanie jednostki sterującej / Podłączanie wtyczki zasilania i uziemienia

1 Podłączyć przewód łączący jednostki sterującej poprzez wstawienie go, aż zatrzaśnie się w poprawnym położeniu.

2 Podłączyć przewód zasilający prądu przemiennego.

3 Podłącz przewód zasilania i uziemienia.

- Sprawdzić moc sieci zasilającej wskazaną na podłączanym sprzęcie przed użyciem ich łącznie z tym urządzeniem. (To urządzenie pobiera moc 10 W.)



*Gdy jest to konieczne, połączyć zacisk uziemienia jednostki głównej z zaciskiem uziemienia na wzmacniaczu, za pośrednictwem dostępnego w handlu przewodu uziemiającego.

Uwaga

- Przełącznik pracy urządzenia nie odcina całego urządzenia od zasilania, nawet jeśli znajduje się w położeniu „OFF”.
Jeśli urządzenie nie będzie użytkowane przez dłuższy czas, wyjąć wtyczkę z gniazda sieciowego. Umieścić urządzenie tak, aby możliwe było łatwe wyciągnięcie wtyku.

Instalacja

Uwagi dotyczące instalacji

- Zawsze korzystać z pomocy jednej lub więcej osób, aby zamontować lub przesunąć zespół.
- Przed przeniesieniem urządzenia, odsunąć wszystkie podłączone urządzenia i wyłączyć zasilanie. Przemieszczanie urządzenia z podłączoną do niego jednostką sterującą może spowodować jej odpadnięcie i odniesienie obrażeń ciała.
- Upewnić się, że urządzenie nie jest narażone na bezpośrednie działanie promieni słonecznych, kurzu, wilgoci i ciepła z urządzeń grzewczych.
- To urządzenie może odbierać zakłócenia wytwarzane przez radioodbiorniki, jeśli znajduje się w ich pobliżu. Urządzenie powinno znajdować się jak najdalej od radioodbiorników.
- Nie należy umieszczać urządzenia na źródło ciepła.
- Unikać miejsc o dużych wahanach temperatury.
- Unikać miejsc o częstej kondensacji pary wodnej.
- Jeśli wymagane są środki zapobiegające przewróceniu, skonsultować się z wykonawcą. Należy sprawdzić wytrzymałość podłogi i ścian.
- Unikać miejsc niestabilnych.
- Upewnić się, że miejsce zamontowania jest wystarczająco wytrzymałe, by wytrzymać całkowity ciężar urządzenia i układu.
- Nie umieszczać żadnych przedmiotów na urządzeniu.
- Nie należy instalować urządzenia w miejscach o ograniczonej przestrzeni, takich jak półki z książkami.
- Zainstalować urządzenie w położeniu z dala od ścian lub innych urządzeń, aby zapewnić skuteczne odprowadzanie ciepła z wnętrza urządzenia.
- Nie ciągnąć urządzenia siłą po jego zamontowaniu. W przeciwnym wypadku może dojść do uszkodzenia izolatora lub powierzchni podłogi.
- Należy pamiętać, że urządzenie może zostać uszkodzone przez dym papierosowy lub wilgoć z nawilżacza ultradźwiękowego.

Kondensacja pary wodnej

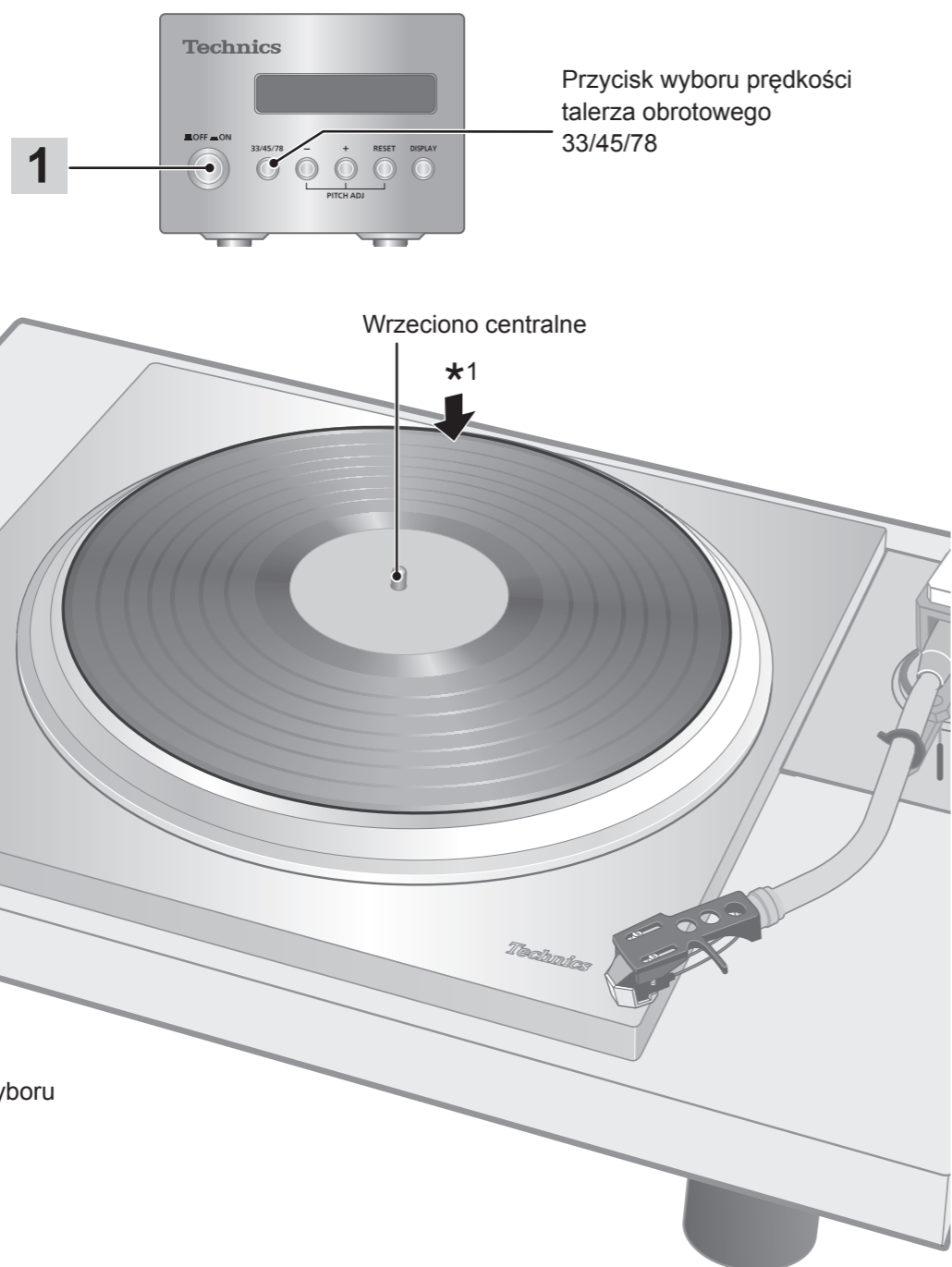
Należy uświadomić sobie, co dzieje się z butelką wyjętą z chłodziarki. Po pozostawieniu jej w temperaturze pokojowej, na jej powierzchni utworzą się krople wody. Zjawisko to określa się mianem „kondensacji”.

- Warunki powodujące kondensację
 - ◇ Nagła zmiana temperatury (spowodowana przejściem z ciepłego miejsca do zimnego lub odwrotnie, szybkie chłodzenie lub ogrzewanie lub bezpośredni kontakt ze schłodzonym powietrzem)
 - ◇ Wysoka wilgotność w pomieszczeniu - duża ilość pary, etc.
 - ◇ Pora deszczowa
- Kondensacja może spowodować uszkodzenie urządzenia. Jeśli ma to miejsce, wyłączyć urządzenie i pozostawić je do chwili zaadaptowania do temperatury otoczenia (około 2 do 3 godzin).

Odtwarzanie płyt

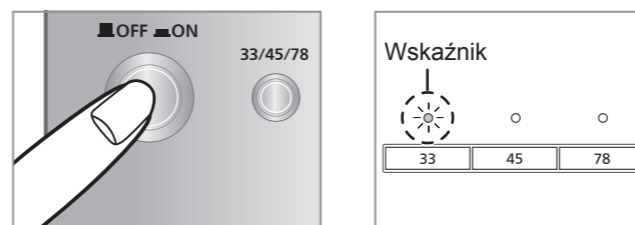
Przygotowanie

★1 Umieścić płytę (brak w zestawie) na talerzu gramofonu.



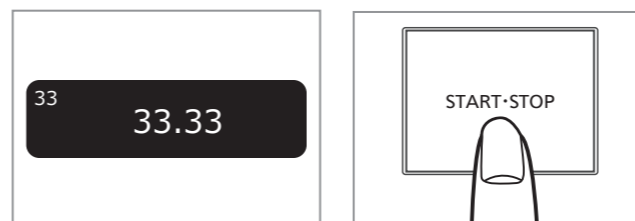
1 Nacisnąć przycisk zasilania jednostki sterującej, by ją włączyć.

Prędkość jest automatycznie ustawiana na 33^{1/3} obr./min, wskaźnik [33] świeci na jednostce głównej, a prędkość obrotowa talerza obrotowego [33.33] pojawia się na wyświetlaczu jednostki sterującej.



2 Nacisnąć [START-STOP].

Talerz zacznie się obracać.

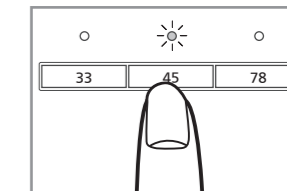


■ Gdy odtwarzanie zakończy się

- 1 Podnieść dźwignię podnośnika, przenieść ramię tonowe na wspornik i opuścić dźwignię.
- 2 Nacisnąć [START-STOP]. Elektroniczny hamulec delikatnie zatrzyma talerz.
- 3 Nacisnąć przycisk zasilania jednostki sterującej, by ją wyłączyć.
- 4 Unieruchomić ramię za pomocą obejm.
- 5 Założyć z powrotem osłonę igły (aby zabezpieczyć jej ostrze).

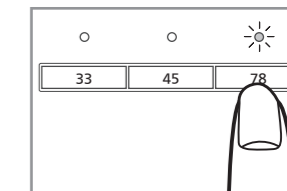
■ Podczas odtwarzania płyt typu EP

- Naciśnij przycisk wyboru prędkości [45] (kontrolka [45] zostanie podświetlona).
- Osadzić adapter płyt PE na wrzeciono centralnym.



■ Podczas odtwarzania płyt typu SP

- Nacisnąć przyciski wyboru prędkości [78] jednocześnie (kontrolki [78] zostają podświetlone).

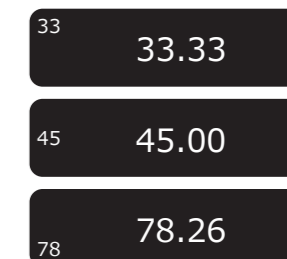


■ Przy zastosowaniu stabilizatora płyty (brak w zestawie)

- Zobacz instrukcję obsługi stabilizatora do płyt.
- Maksymalna waga: 1 kg

Uwaga

- Naciskanie [33/45/78] na jednostce sterującej może również zmieniać prędkość obrotową talerza obrotowego. (⇒ 21)



Uwaga

Nie naciskać [START-STOP], gdy talerz obrotowy jest zdjęty.

Kontrola wysokości dźwięku (regulacja precyzyjna do wysokości)

1 Nacisnąć [-] lub [+] na jednostce sterującej, aby dokonać regulacji.

- Wysokość tonu można ustawić w przybliżeniu w granicach $\pm 16\%$ aktualnie ustawionej prędkości obrotowej [33/45/78].
- Bieżąca ustawiona wartość pojawia się na wyświetlaczu jednostki sterującej. Wyświetlana treść może być różna w zależności od trybu wyświetlania. (Przełączanie trybu wyświetlania \rightarrow 21)
- Prędkość talerza obrotowego zmienia się za każdym razem, gdy wysokość tonu ustawiana jest podczas wirowania talerza obrotowego.

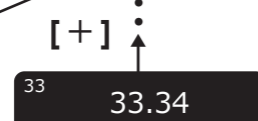
- Naciśnięcie przycisku powoduje zwiększenie lub zmniejszenie wartości.
- Przytrzymanie przycisku przyspiesza zwiększanie lub zmniejszanie.

Gdy trybem wyświetlania jest „Ustawienie prędkości talerza obrotowego”

Określona prędkość talerza obrotowego



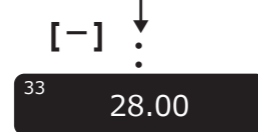
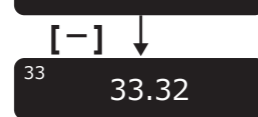
Dostosowana wartość (prędkość obrotowa talerza obrotowego)



(Ustawienie początkowe)



- Wyświetlana jest wartość do dwóch miejsc po przecinku.
- Prędkość talerza obrotowego można regulować skokowo o $\pm 0,01$ obrotu.

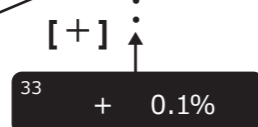


Gdy trybem wyświetlania jest „Ustawienie wysokości tonu”

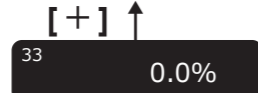
Określona prędkość talerza obrotowego



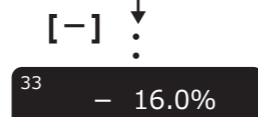
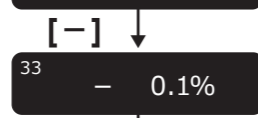
Dostosowana wartość (procent)



(Ustawienie początkowe)



- Pokazywana jest wartość z dokładnością do jednego miejsca po przecinku.
- Wysokość tonu może być ustawiana w krokach co $\pm 0,1\%$.



Aby powrócić do zalecanej prędkości obrotowej talerza obrotowego

Nacisnąć [RESET] na jednostce sterującej. Wartość natychmiast powraca do zalecanej prędkości obrotowej talerza obrotowego. (33^{1/3}, 45 lub 78,26 rpm)

*Wyświetlacz jednostki sterującej pokazuje zalecane ustawienie.

Prędkość talerza obrotowego staje się zalecaną prędkością obrotową talerza obrotowego w trybie ustawiania prędkości obrotowej i 0,0% w trybie ustawiania wysokości tonu.

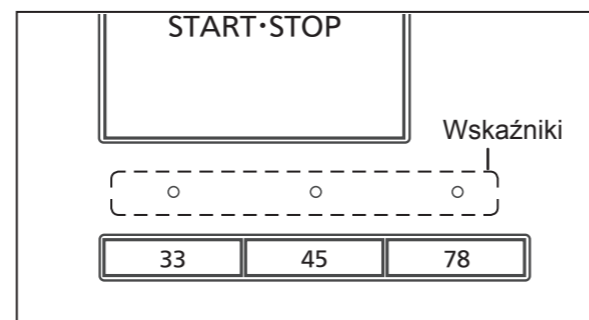
(Tryb wyświetlania: Ustawienie prędkości talerza obrotowego)



(Tryb wyświetlania: Ustawienie wysokości tonu)



Wskaźniki przycisków wyboru prędkości na jednostce głównej podczas regulacji wysokości tonu



- Niebieska dioda LED włączona: Bez regulacji wysokości tonu (0,0%)
- Pomarańczowa dioda LED włączona: Podczas regulacji wysokości tonu

Uwaga

- Wysokość tonu można ustawić dla każdej prędkości obrotowej talerza obrotowego.
- Wyłączenie przycisku zasilania powoduje anulowanie ustawienia wysokości tonu. Ponowne włączenie przycisku zasilania przywraca początkową wartość tego ustawienia.

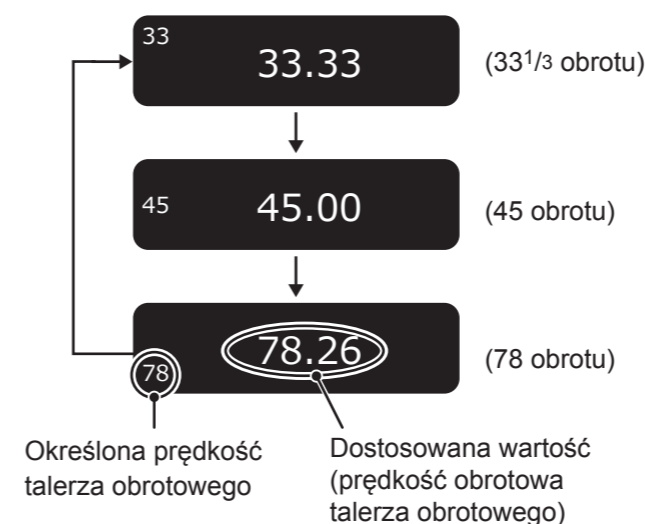
Obsługa i wyświetlacz jednostki sterującej

Ustawienie prędkości talerza obrotowego

1 Naciskać [33/45/78] na jednostce sterującej.

Za każdym naciśnięciem przycisku [33/45/78] prędkość obrotowa talerza zmienia się w kolejności „33” \rightarrow „45” \rightarrow „78” \rightarrow „33” \rightarrow ...

- Prędkość talerza obrotowego zmienia się za każdym razem, gdy wysokość tonu ustawiana jest podczas wirowania talerza obrotowego.



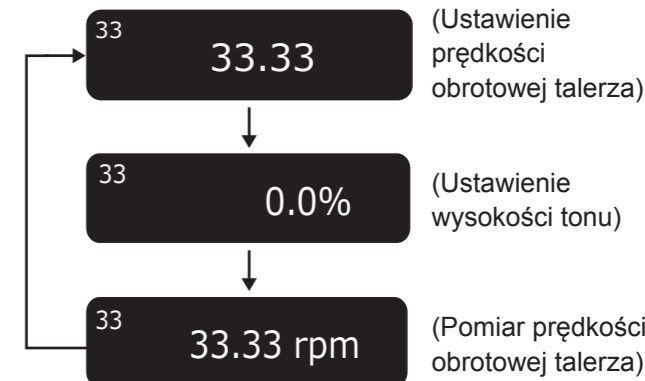
Określona prędkość talerza obrotowego

Dostosowana wartość (prędkość obrotowa talerza obrotowego)

Przełączanie trybu wyświetlania

1 Nacisnąć przycisk [DISPLAY] (Wyświetlanie) na jednostce sterującej.

Za każdym naciśnięciem przycisku [DISPLAY], tryb wyświetlania zmienia się w kolejności „ustawienia prędkości obrotowej talerza” \rightarrow „Ustawienie wysokości tonu” \rightarrow „Pomiar prędkości obrotowej talerza” \rightarrow „Ustawienie prędkości obrotowej talerza” \rightarrow ...

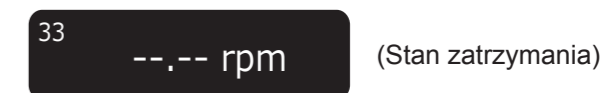


Pomiar prędkości obrotowej talerza

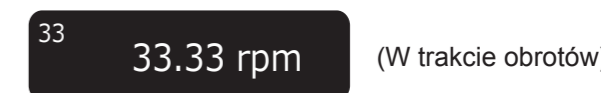
Rzeczywistą prędkość obrotową talerza można zmierzyć w tym trybie wyświetlania.

Przełączyć tryb wyświetlania (patrz powyżej) w celu przejścia do tego trybu.

- „rpm” pojawia się po wartości liczbowej.
- „--- rpm” pojawia się po zatrzymaniu talerza obrotowego.



(Stan zatrzymania)



(W trakcie obrotów)

Obsługa podczas „Pomiaru prędkości obrotowej talerza”

Używanie przycisków jak poniżej zmienia tryb wyświetlania na „Ustawienie prędkości obrotowej talerza”, co umożliwia dokonanie ustawienia.

*Wyświetlacz powróci do trybu „Pomiar prędkości obrotowej talerza”, jeżeli w ciągu trzech sekund nie zostanie wykonana żadna operacja.

- [-]/[+]: Wysokość dźwięku można regulować. (\leftrightarrow 20)
- [RESET]: Wartość natychmiast powraca do zalecanej prędkości obrotowej talerza obrotowego.
- [33/45/78]: Prędkość obrotowa talerza zmienia się po każdym naciśnięciu przycisku.

Uwaga

- Wyświetlana jest uśredniona wartość.

Ustawienie ściemniacza wyświetlacza

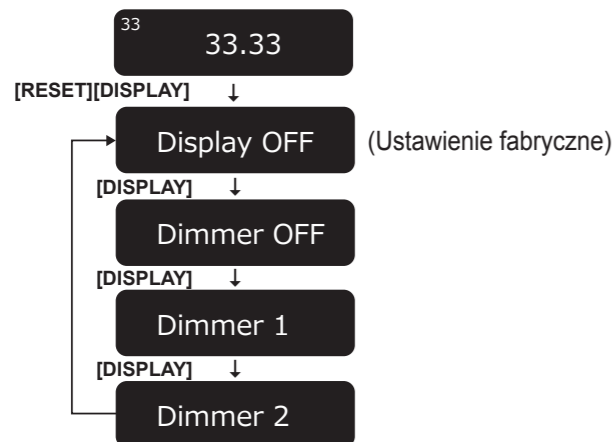
Ściemniacz wyświetlacza zostanie włączony, jeśli jednostka sterująca nie będzie używana przez 20 sekund. Istnieją cztery schematy przyciemniania.

1 Na jednostce sterującej, przytrzymać przycisk [RESET] i nacisnąć przycisk [DISPLAY].

- Wyświetlane jest ustawienie ściemniacza.

2 Nacisnąć przycisk [DISPLAY] (Wyświetlanie) na jednostce sterującej.

- Ustawienie zmienia się za każdym naciśnięciem przycisku [DISPLAY].
- Wyświetlacz powróci do trybu pierwotnego, jeżeli w ciągu trzech sekund nie zostanie wykonana żadna operacja.



Wyświetlacz	Przyciemnienie wyświetlacza, jeżeli nie zostanie wykonana żadna operacja przez 20 sekund
Display OFF	Jasność zmniejsza się o jeden poziom. ⇒ (Brak działania przez kolejne pięć sekund) ⇒ Jasność zmniejsza się o dwa poziomy. ⇒ (Brak działania przez kolejne pięć sekund) ⇒ Wył.
Dimmer OFF	Bez ściemniania (Zawsze włączony)
Dimmer 1	Jasność zmniejsza się o jeden poziom.
Dimmer 2	Jasność zmniejsza się o dwa poziomy.

- Po ustawieniu jasność jest natychmiast dostosowywana do ustawionej wartości. Wyświetlacz zostanie natychmiast wyłączony, jeśli wybrano „Display OFF”.
- Uruchomienie przycisku (dowolnego przycisku innego niż przycisk zasilania) na jednostce sterującej, gdy ściemniacz jest aktywny, przywraca pełną jasność wyświetlacza.

Uwaga

- Ustawienie jest zapisywane. Kiedy zasilanie zostanie włączone następnym razem, to zostanie przywrócone ustawienie obowiązujące przy ostatnim wyłączeniu zasilania.

Regulowanie momentu obrotowego, aby obracać talerz obrotowy ze stałą prędkością

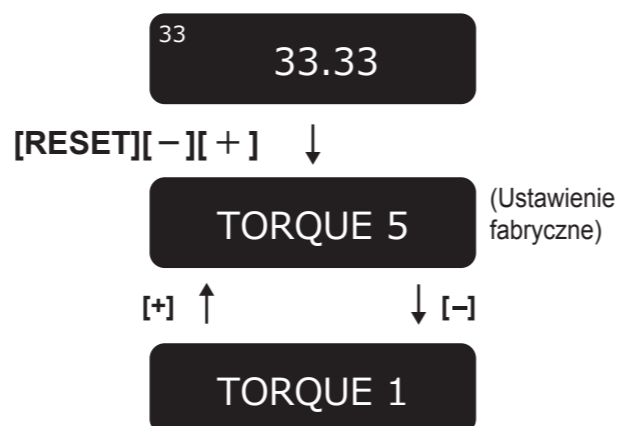
Nacisnąć przycisk [START STOP], a następnie wyregulować moment obrotowy (siłę obrotu) na pięciu poziomach siły, aby obracać talerz obrotowy ze stałą prędkością.

1 Na jednostce sterującej, przytrzymać przycisk [RESET] i nacisnąć jednocześnie przycisk [-] i [+].

- Wyświetlane jest ustawienie momentu obrotowego.

2 Nacisnąć [-] lub [+] na jednostce sterującej, aby dokonać regulacji.

- Wybrać jeden z pięciu poziomów od „TORQUE1” do „TORQUE5”. Naciśnięcie przycisku powoduje zwiększenie lub zmniejszenie wartości.
- Wykorzystać poniższą tabelę jako wskazówkę.
- Wyświetlacz powróci do trybu pierwotnego, jeżeli w ciągu trzech sekund nie zostanie wykonana żadna operacja.



Wyświetlacz	Moment obrotowy do obracania ze stałą prędkością
TORQUE5	Maksymalny (Ustawienie fabryczne)
TORQUE4	↑ ↓
TORQUE3	
TORQUE2	
TORQUE1	Minimalny

Uwaga

- Ustawienie jest zapisywane. Kiedy zasilanie zostanie włączone następnym razem, to zostanie przywrócone ustawienie obowiązujące przy ostatnim wyłączeniu zasilania.

■ Czyszczenie jednostki głównej

Wyrzeć jednostkę główną i inne podzespoły suchą, miękką ściereczką.

W przypadku silnego zabrudzenia, użyć wyciśniętej mokrej ściereczki, aby go usunąć, następnie przetrzeć ją miękką szmatką.

- Nie używać rozpuszczalników, w tym benzyny, rozcieńczalnika, alkoholu, detergentów kuchennych, zmywaczy chemicznych etc. Może to skutkować deformacją obudowy zewnętrznej obudowy i schodzeniem powłok wykończeniowych.

■ Przenoszenie urządzenia

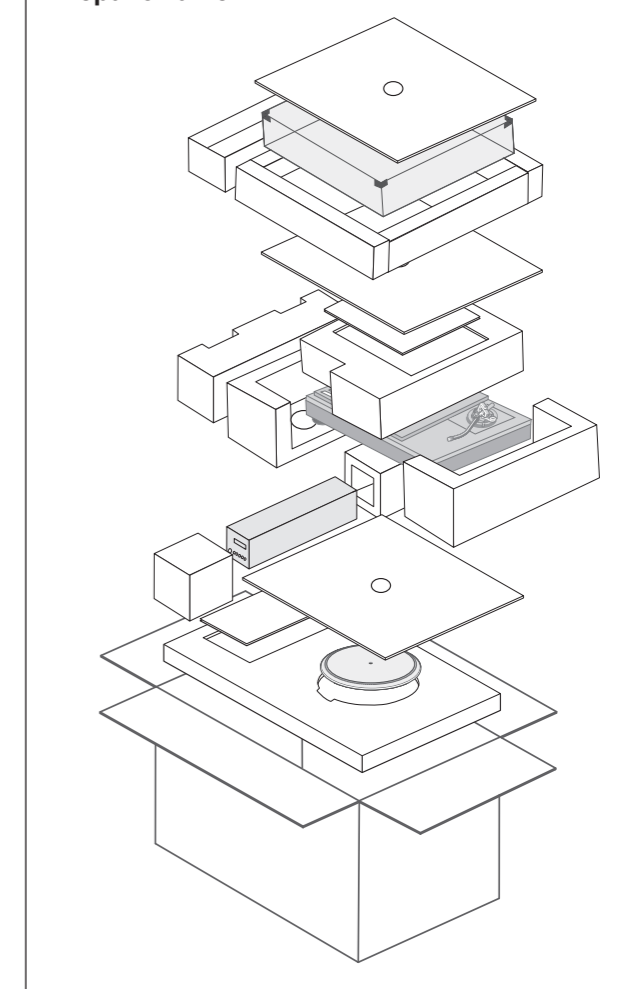
Umieścić urządzenie w opakowaniu, w którym zostało dostarczone. (⇒ 12)

Zachować opakowania po wyjęciu towaru.

W przypadku braku opakowania, wykonać następujące czynności:

- Zdjąć talerz obrotowy i matę talerza i starannie je zapakować.
- Starannie owinąć urządzenie główne w koc lub papier.

Przepakowanie



■ Symbol WEEE

Utylizacja produktu poza krajami UE

Ten symbol jest ważny tylko w obrębie krajów UE. Skontaktować się z lokalną jednostką samorządową lub sprzedawcą w celu ustalenia właściwego sposobu utylizacji.

Usuwanie usterek

Rozwiązywanie problemów Przed wezwaniem serwisu, przeprowadzić poniższe kontrole. W przypadku wątpliwości co do niektórych punktów kontrolnych lub jeśli działania zaradcze podane w tabeli nie pozwalają na rozwiązanie problemu, należy skontaktować się ze sprzedawcą urządzenia.

Brak zasilania.

- Czy kabel sieciowy jest podłączony?
→ Podłączyć dokładnie przewód zasilający. (⇒ 16)
- Czy jednostka sterująca jest połączona z jednostką główną?
→ Włożyć przewód połączeniowy jednostki sterującej, aż do usłyszenia kliknięcia. (⇒ 16)

Brak wskazania na wyświetlaczu jednostki sterującej.

- Czy wtyczka zasilania jest podłączona?
→ Włożyć ją pewnie. (⇒ 16)
- Czy zasilanie jest włączone?
→ Nacisnąć przycisk zasilania, aby włączyć zasilanie. (⇒ 18)
- Czy włączony jest ściemniacz wyświetlacza?
→ Uruchomić przycisk (dowolny przycisk inny niż przycisk zasilania) na jednostce sterującej. (⇒ 22)

■ Kod błędu

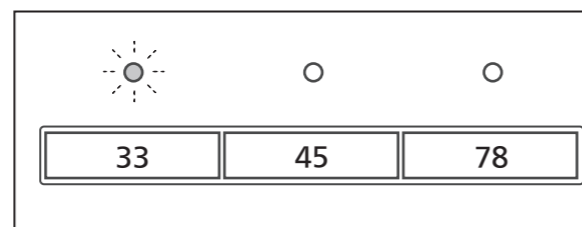
Wystąpienie błędu zostanie w razie potrzeby ogłoszone na wyświetlaczu jednostki sterującej i wskaźnikami przycisku wyboru prędkości na jednostce głównej.

Wyświetlacz jednostki sterującej	Zmierzyć
Unconnected	Sprawdzić, czy jednostka sterująca jest połączona z jednostką główną. (⇒ 16)
F58 F76 F17	Skontaktować się ze sprzedawcą. <ul style="list-style-type: none"> ● Jeden z przycisków [33/45/78] przycisków wyboru prędkości jednostki głównej miga (szybko lub wolno) na pomarańczowo. ● Podać wyświetlany numer i stan migania diody LED w czasie konsultacji.

(Przykładowy ekran jednostki sterującej w przypadku wystąpienia błędu)

Unconnected

(Przykładowe wskaźniki przycisku wyboru prędkości jednostki głównej w przypadku wystąpienia błędu) Miga na pomarańczowo.



Dane techniczne

Ogólne	
Zasilanie	110 - 240 VAC, 50/60 Hz
Pobór mocy	10 W (Włączone zasilanie) 0,05 W (Zasilanie wyłączone)
Wymiary (szer. × wys. × gł.)	<Jednostka sterująca> 110×84×350 mm
	<Jednostka główna> 365×109×365 mm
Ciężar	<Jednostka sterująca> Okolo 2.1 kg
	<Jednostka główna> Okolo 18.2 kg
Temperatura pracy	0°C do 40°C
Wilgotność robocza	35 % do 80 % wilgotności względnej (bez kondensacji)
Sekcja talerza obrotowego	
Rodzaj napędu	Napęd bezpośredni
Silnik	Bezszcotkowy silnik na prąd stały
Talerz obrotowy	Mosiądz i aluminium połączone poprzez odlewanie ciśnieniowe Średnica: 323 mm Ciężar: Okolo 7,9 kg (łącznie z arkuszem talerza obrotowego)
Prędkości obrotowe	33-1/3, 45 i 78* rpm
Zmienny zakres wysokości dźwięku	±16 %
Rozruchowy moment obrotowy	0,39 N·m (4,0 kg·cm)
Układ hamowania	Hamulec elektroniczny
Kołysanie i drżenie dźwięku	0,015 % W.R.M.S. (JIS C5521)
Sekcja zacisków	
Zacisk wyjściowy	Zacisk uziemienia

Producent zastrzega sobie możliwość wprowadzenia zmian bez uprzedzenia.

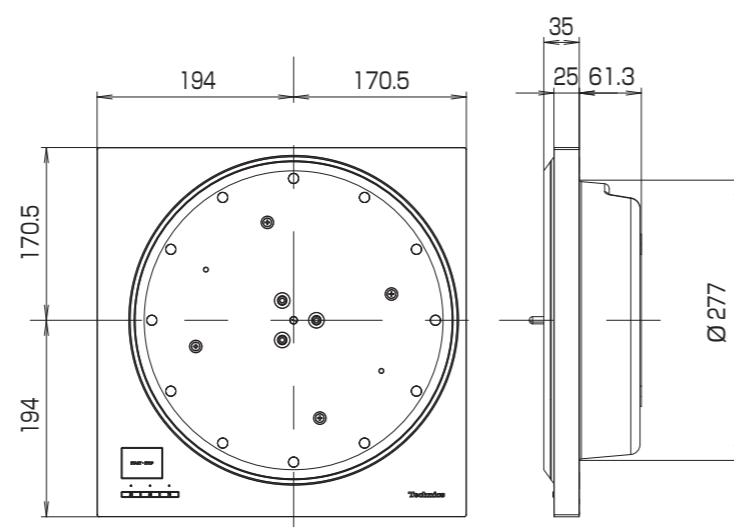
*Prędkość talerza obrotowego będzie wynosiła 78,26 rpm przy ustawieniu 78 rpm (regulacja wysokości tonu 0,0%).

Rysunki wymiarowe

■ Wymiary zewnętrzne

Wybrać obudowę, która pasuje do zewnętrznych wymiarów odtwarzacza.

<Jednostka: mm>

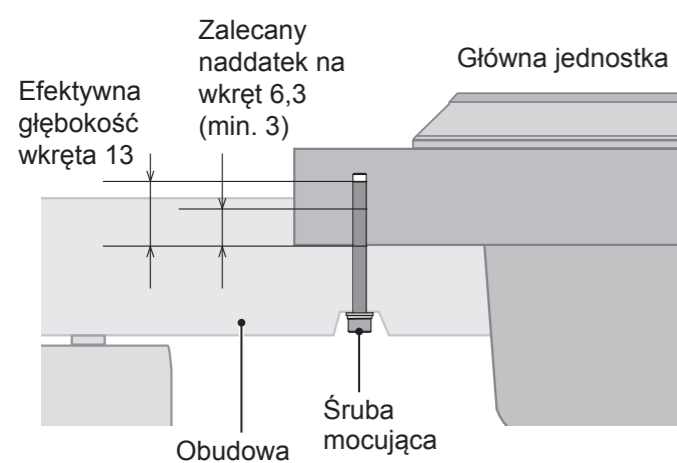
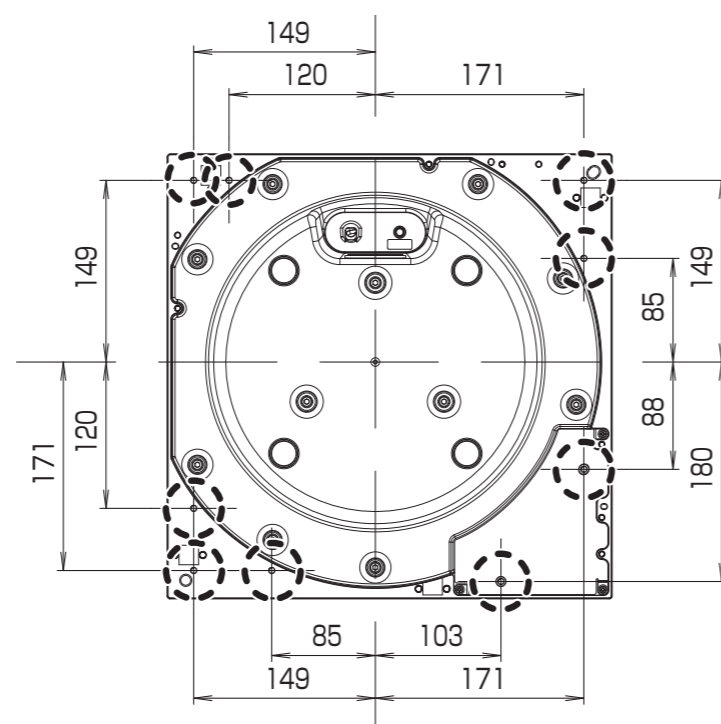


■ Lokalizacje wkrętów do mocowania obudowy

Przymocować odtwarzacz do obudowy w dziewięciu miejscach (oznaczonych linią przerywaną) pokazanych na prawej ilustracji (dolna powierzchnia jednostki głównej). <Jednostka: mm>

- Wkręt mocujący: M5

Patrz widok przekrojowy poniżej przy dobieraniu długości wkrętów mocujących.



Limited Warranty (ONLY FOR U.S.A.)

Technics Products – Limited Warranty

Limited Warranty Coverage (For USA Only)

If your product does not work properly because of a defect in materials or workmanship, Panasonic Corporation of North America (referred to as "the warrantor") will, for the length of the period indicated on the chart below, which starts with the date of original purchase ("warranty period"), at its option either (a) repair your product with new or refurbished parts, (b) replace it with a new or a refurbished equivalent value product, or (c) refund your purchase price. The decision to repair, replace or refund will be made by the warrantor.

Product or Part Name	Parts	Labor
Technics Network Audio Amplifier	3 (three) years	3 (three) years
Technics Music Server		
Technics CD Stereo System		
Technics Turntable System		

During the "Labor" warranty period there will be no charge for labor. During the "Parts" warranty period, there will be no charge for parts. This Limited Warranty excludes both parts and labor for non-rechargeable batteries, antennas, and cosmetic parts (cabinet). This warranty only applies to products purchased and serviced in the United States. This warranty is extended only to the original purchaser of a new product which was not sold "as is".

Mail-In Service—Online Repair Request

Online Repair Request

To submit a new repair request and for quick repair status visit our Web Site at <http://shop.panasonic.com/support>

When shipping the unit, carefully pack, include all supplied accessories listed in the Owner's Manual, and send it prepaid, adequately insured and packed well in a carton box. When shipping Lithium Ion batteries please visit our Web Site at <http://shop.panasonic.com/support> as Panasonic is committed to providing the most up to date information. Include a letter detailing the complaint, a return address and provide a daytime phone number where you can be reached. A valid registered receipt is required under the Limited Warranty.

IF REPAIR IS NEEDED DURING THE WARRANTY PERIOD, THE PURCHASER WILL BE REQUIRED TO FURNISH A SALES RECEIPT/PROOF OF PURCHASE INDICATING DATE OF PURCHASE, AMOUNT PAID AND PLACE OF PURCHASE. CUSTOMER WILL BE CHARGED FOR THE REPAIR OF ANY UNIT RECEIVED WITHOUT SUCH PROOF OF PURCHASE.

Limited Warranty Limits and Exclusions

This warranty ONLY COVERS failures due to defects in materials or workmanship, and DOES NOT COVER normal wear and tear or cosmetic damage. The warranty ALSO DOES NOT COVER damages which occurred in shipment, or failures which are caused by products not supplied by the warrantor, or failures which result from accidents, misuse, abuse, neglect, mishandling, misapplication, alteration, faulty installation, set-up adjustments, misadjustment of consumer controls, improper maintenance, power line surge, lightning damage, modification, introduction of sand, humidity or liquids, commercial use such as hotel, office, restaurant, or other business or rental use of the product, or service by anyone other than a Factory Service Center or other Authorized Servicer, or damage that is attributable to acts of God.

The model number and serial number of this product can be found on either the back or the bottom of the unit. Please note them in the space provided below and keep for future reference.

MODEL NUMBER SP-10R

SERIAL NUMBER _____

THERE ARE NO EXPRESS WARRANTIES EXCEPT AS LISTED UNDER "LIMITED WARRANTY COVERAGE". THE WARRANTOR IS NOT LIABLE FOR INCIDENTAL OR CONSEQUENTIAL DAMAGES RESULTING FROM THE USE OF THIS PRODUCT, OR ARISING OUT OF ANY BREACH OF THIS WARRANTY.

(As examples, this excludes damages for lost time, travel to and from the servicer, loss of or damage to media or images, data or other memory or recorded content. The items listed are not exclusive, but for illustration only.)

ALL EXPRESS AND IMPLIED WARRANTIES, INCLUDING THE WARRANTY OF MERCHANTABILITY, ARE LIMITED TO THE PERIOD OF THE LIMITED WARRANTY.

Some states do not allow the exclusion or limitation of incidental or consequential damages, or limitations on how long an implied warranty lasts, so the exclusions may not apply to you.

This warranty gives you specific legal rights and you may also have other rights which vary from state to state. If a problem with this product develops during or after the warranty period, you may contact your dealer or Service Center. If the problem is not handled to your satisfaction, then write to:

Consumer Affairs Department
Panasonic Corporation of North America
661 Independence Pkwy
Chesapeake, VA 23320

PARTS AND SERVICE, WHICH ARE NOT COVERED BY THIS LIMITED WARRANTY, ARE YOUR RESPONSIBILITY.

Shop Accessories!

for all your Technics gear

Go to

<http://shop.panasonic.com/support>

Get everything you need to get the most out of your Technics products

Accessories & Parts for your Camera, Phone, A/V products, TV, Computers & Networking, Personal Care, Home Appliances, Headphones, Batteries, Backup Chargers & more...

Customer Services Directory

For Product Information, Operating Assistance, Parts, Owner's Manuals, Dealer and Service info go to <http://shop.panasonic.com/support>

For the hearing or speech impaired TTY: 1- 877-833-8855

As of February 2018

User memo:

DATE OF PURCHASE _____

DEALER NAME _____

DEALER ADDRESS _____

TELEPHONE NUMBER _____

Limited Warranty (ONLY FOR CANADA)

Panasonic Canada Inc.

5770 Ambler Drive, Mississauga, Ontario L4W 2T3

TECHNICS PRODUCT - LIMITED WARRANTY

Panasonic Canada Inc. warrants this product to be free from defects in material and workmanship under normal use and for a period as stated below from the date of original purchase agrees to, at its option either (a) repair your product with new or refurbished parts, (b) replace it with a new or a refurbished equivalent value product, or (c) refund your purchase price. The decision to repair, replace or refund will be made by Panasonic Canada Inc.

Technics Network Audio Amplifier	3 (three) years parts and labour
Technics Music Server	3 (three) years parts and labour
Technics CD Stereo System	3 (three) years parts and labour
Technics Turntable System	3 (three) years parts and labour

This warranty is given only to the original purchaser, or the person for whom it was purchased as a gift, of a Technics brand product mentioned above sold by an authorized Panasonic dealer in Canada and purchased and used in Canada, which product was not sold "as is", and which product was delivered to you in new condition in the original packaging.

IN ORDER TO BE ELIGIBLE TO RECEIVE WARRANTY SERVICE HEREUNDER, A PURCHASE RECEIPT OR OTHER PROOF OF DATE OF ORIGINAL PURCHASE, SHOWING AMOUNT PAID AND PLACE OF PURCHASE IS REQUIRED

LIMITATIONS AND EXCLUSIONS

This warranty ONLY COVERS failures due to defects in materials or workmanship, and DOES NOT COVER normal wear and tear or cosmetic damage. The warranty ALSO DOES NOT COVER damages which occurred in shipment, or failures which are caused by products not supplied by Panasonic Canada Inc., or failures which result from accidents, misuse, abuse, neglect, mishandling, misapplication, alteration, faulty installation, set-up adjustments, misadjustment of consumer controls, improper maintenance, power line surge, lightning damage, modification, introduction of sand, humidity or liquids, commercial use such as hotel, office, restaurant, or other business or rental use of the product, or service by anyone other than an Authorized Servicer, or damage that is attributable to acts of God.

Dry cell batteries are also excluded from coverage under this warranty.

THIS EXPRESS, LIMITED WARRANTY IS IN LIEU OF ALL OTHER WARRANTIES, EXPRESS OR IMPLIED, INCLUDING ANY IMPLIED WARRANTIES OF MERCHANTABILITY AND FITNESS FOR A PARTICULAR PURPOSE. IN NO EVENT WILL PANASONIC CANADA INC. BE LIABLE FOR ANY SPECIAL, INDIRECT OR CONSEQUENTIAL DAMAGES RESULTING FROM THE USE OF THIS PRODUCT OR ARISING OUT OF ANY BREACH OF ANY EXPRESS OR IMPLIED WARRANTY. (As examples, this warranty excludes damages for lost time, travel to and from the Authorized Servicer, loss of or damage to media or images, data or other memory or recorded content. This list of items is not exhaustive, but for illustration only.)

In certain instances, some jurisdictions do not allow the exclusion or limitation of incidental or consequential damages, or the exclusion of implied warranties, so the above limitations and exclusions may not be applicable. This warranty gives you specific legal rights and you may have other rights which vary depending on your province or territory.

WARRANTY SERVICE

For product operation, repairs and information assistance, please visit our Support page on:
www.panasonic.ca/english/support

IF YOU SHIP THE PRODUCT TO A SERVICENTRE

Carefully pack and send prepaid, adequately insured and preferably in the original carton.
Include details of the defect claimed, and proof of date of original purchase.

Certificat de garantie limitée (SEULEMENT POUR LE CANADA)

Panasonic Canada Inc.

5770, Ambler Drive, Mississauga (Ontario) L4W 2T3

PRODUIT TECHNICS – GARANTIE LIMITÉE

Panasonic Canada Inc. garantit que ce produit est exempt de défauts de matériaux et de main-d'œuvre dans un contexte d'utilisation normale pendant la période indiquée ci-après à compter de la date d'achat original et, dans l'éventualité d'une défectuosité, accepte, à sa discrétion, de (a) réparer le produit avec des pièces neuves ou remises à neuf, (b) remplacer le produit par un produit neuf ou remis à neuf d'une valeur équivalente ou (c) rembourser le prix d'achat. La décision de réparer, remplacer ou rembourser appartient à Panasonic Canada Inc.

Amplificateur réseau audio Technics	Trois (3) ans, pièces et main-d'œuvre
Serveur de musique Technics	Trois (3) ans, pièces et main-d'œuvre
Chaîne stéréo avec lecteur CD Technics	Trois (3) ans, pièces et main-d'œuvre
Platine tourne-disque Technics	Trois (3) ans, pièces et main-d'œuvre

La présente garantie n'est fournie qu'à l'acheteur original d'un des produits de marque Technics indiqués plus haut, ou à la personne l'ayant reçu en cadeau, vendu par un détaillant Panasonic agréé au Canada et utilisé au Canada. Le produit ne doit pas avoir été « vendu tel quel » et doit avoir été livré à l'état neuf dans son emballage d'origine.

POUR ÊTRE ADMISSIBLE AUX SERVICES AU TITRE DE LA PRÉSENTE GARANTIE, LA PRÉSENTATION D'UN REÇU D'ACHAT OU DE TOUTE AUTRE PIÈCE JUSTIFICATIVE DE LA DATE D'ACHAT ORIGINAL, INDIQUANT LE MONTANT PAYÉ ET LE LIEU DE L'ACHAT, EST REQUISE.

RESTRICTIONS ET EXCLUSIONS

La présente garantie COUVRE SEULEMENT les défaillances attribuables à un défaut des matériaux ou à un vice de fabrication et NE COUVRE PAS l'usure normale ni les dommages esthétiques. La présente garantie NE COUVRE PAS NON PLUS les dommages subis pendant le transport, les défaillances causées par des produits non fournis par Panasonic Canada Inc. ni celles résultant d'un accident, d'un usage abusif ou impropre, de négligence, d'une maintenance inadéquate, d'une mauvaise application, d'une altération, d'une installation ou de réglages impropres, d'un mauvais réglage des contrôles de l'utilisateur, d'un mauvais entretien, d'une surtension temporaire, de la foudre, d'une modification, de la pénétration de sable, de liquides ou d'humidité, d'une utilisation commerciale (dans un hôtel, un bureau, un restaurant ou tout autre usage par affaires ou en location), d'une réparation effectuée par une entité autre qu'un centre de service Panasonic agréé ou encore d'une catastrophe naturelle.

Les piles sèches sont également exclues de la présente garantie.

CETTE GARANTIE LIMITÉE ET EXPRESSE REMPLACE TOUTE AUTRE GARANTIE, EXPRESSE OU IMPLICITE, INCLUANT LES GARANTIES IMPLICITES DU CARACTÈRE ADÉQUAT POUR LA COMMERCIALISATION ET UN USAGE PARTICULIER. PANASONIC CANADA INC. N'AURA D'OBLIGATION EN AUCUNE CIRCONSTANCE POUR TOUT DOMMAGE DIRECT, INDIRECT OU CONSÉCUTIF RÉSULTANT DE L'UTILISATION DE CE PRODUIT OU DÉCOULANT DE TOUTE DÉROGATION À UNE GARANTIE EXPRESSE OU IMPLICITE. (À titre d'exemples, cette garantie exclut les dommages relatifs à une perte de temps, le transport jusqu'à et depuis un centre de service agréé, la perte ou la détérioration de supports ou d'images, de données ou de tout autre contenu en mémoire ou enregistré. Cette liste n'est pas exhaustive et n'est fournie qu'à des fins explicatives.)

Certaines juridictions ne reconnaissent pas les exclusions ou limitations de dommages indirects ou consécutifs, ou les exclusions de garanties implicites. Dans de tels cas, les limitations stipulées ci-dessus peuvent ne pas être applicables. La présente garantie vous confère des droits précis; vous pourriez aussi avoir d'autres droits pouvant varier selon votre province ou territoire de résidence.

SERVICE SOUS GARANTIE

Pour tout renseignement sur les produits, réparation ou assistance technique, veuillez visiter notre page Soutien :

www.panasonic.ca/french/support

EXPÉDITION D'UN PRODUIT À UN CENTRE DE SERVICE

Emballage soigneusement, de préférence dans son carton d'origine, et expédiez, franco de port, suffisamment assuré.

Accompagnez le tout d'une description de la défectuosité présumée et d'une pièce justificative de la date d'achat original.

Homologation :

Il est recommandé de noter, dans l'espace prévu ci-dessous, le numéro de modèle et le numéro de série inscrits à l'arrière, ou sous le fond de l'appareil, et de conserver ce manuel pour référence ultérieure.

NUMÉRO DE MODÈLE SP-10R

NUMÉRO DE SÉRIE _____

DATE D'ACHAT _____

DÉTAILLANT _____

ADRESSE DU DÉTAILLANT _____

N° DE TÉLÉPHONE _____